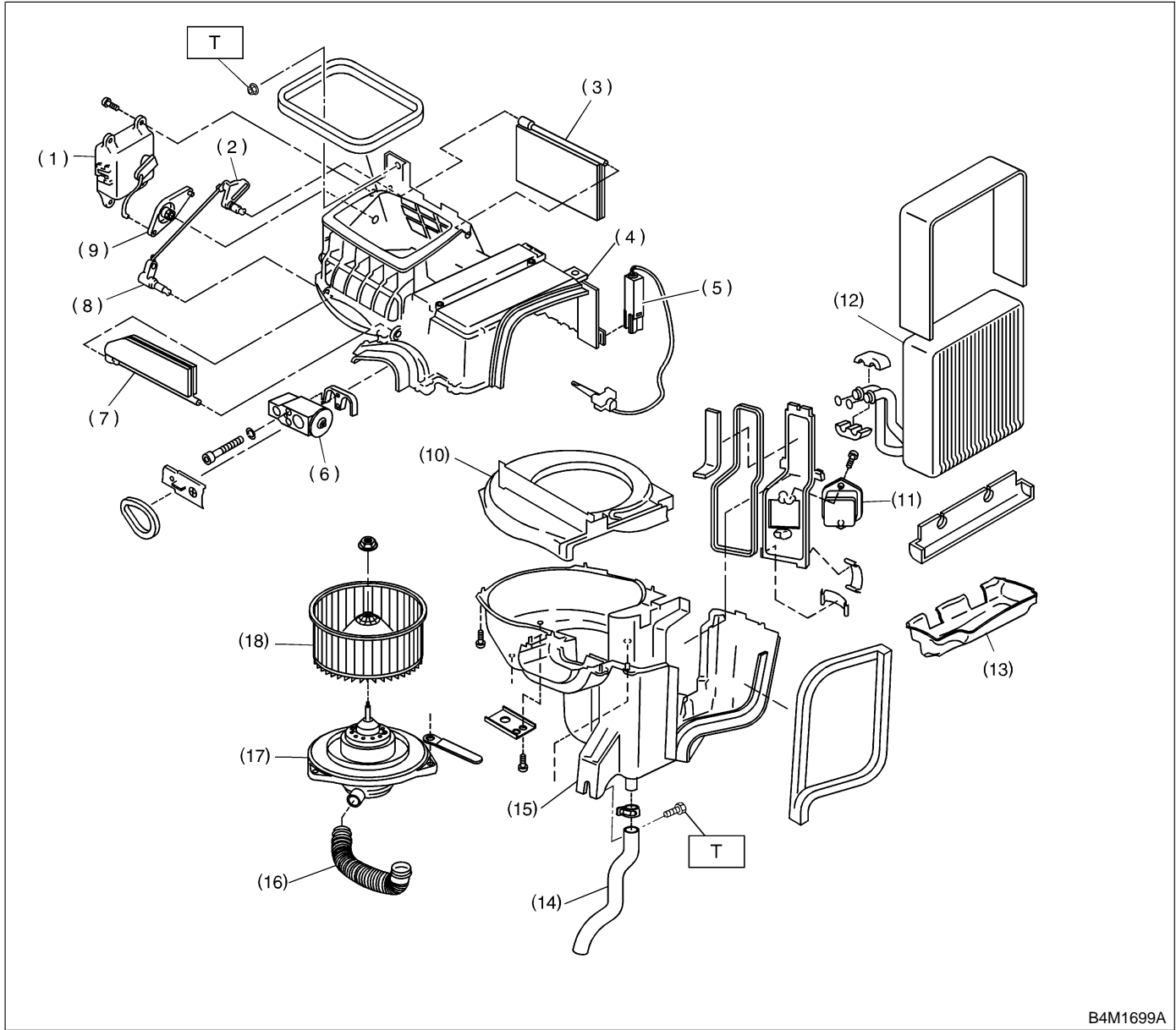


2. Intake Unit



B4M1699A

- | | | |
|--|---------------------------------------|-----------------------------|
| (1) Intake door actuator | (8) Lever (B) | (15) Intake unit case lower |
| (2) Lever (A) | (9) Lever (C) | (16) Aspirator pipe |
| (3) Door (A) | (10) Blower plate | (17) Blower motor |
| (4) Intake unit case upper | (11) Resistor | (18) Fan |
| (5) Thermistor (With A/C model) | (12) Evaporator (With A/C model) | |
| (6) Block expansion valve (With A/C model) | (13) Evaporator case (With A/C model) | |
| (7) Door (B) | (14) Drain hose | |

Tightening torque: N·m (kg·m, ft·lb)

T: 7.35±1.96

(0.750±0.200, 5.421±1.446)