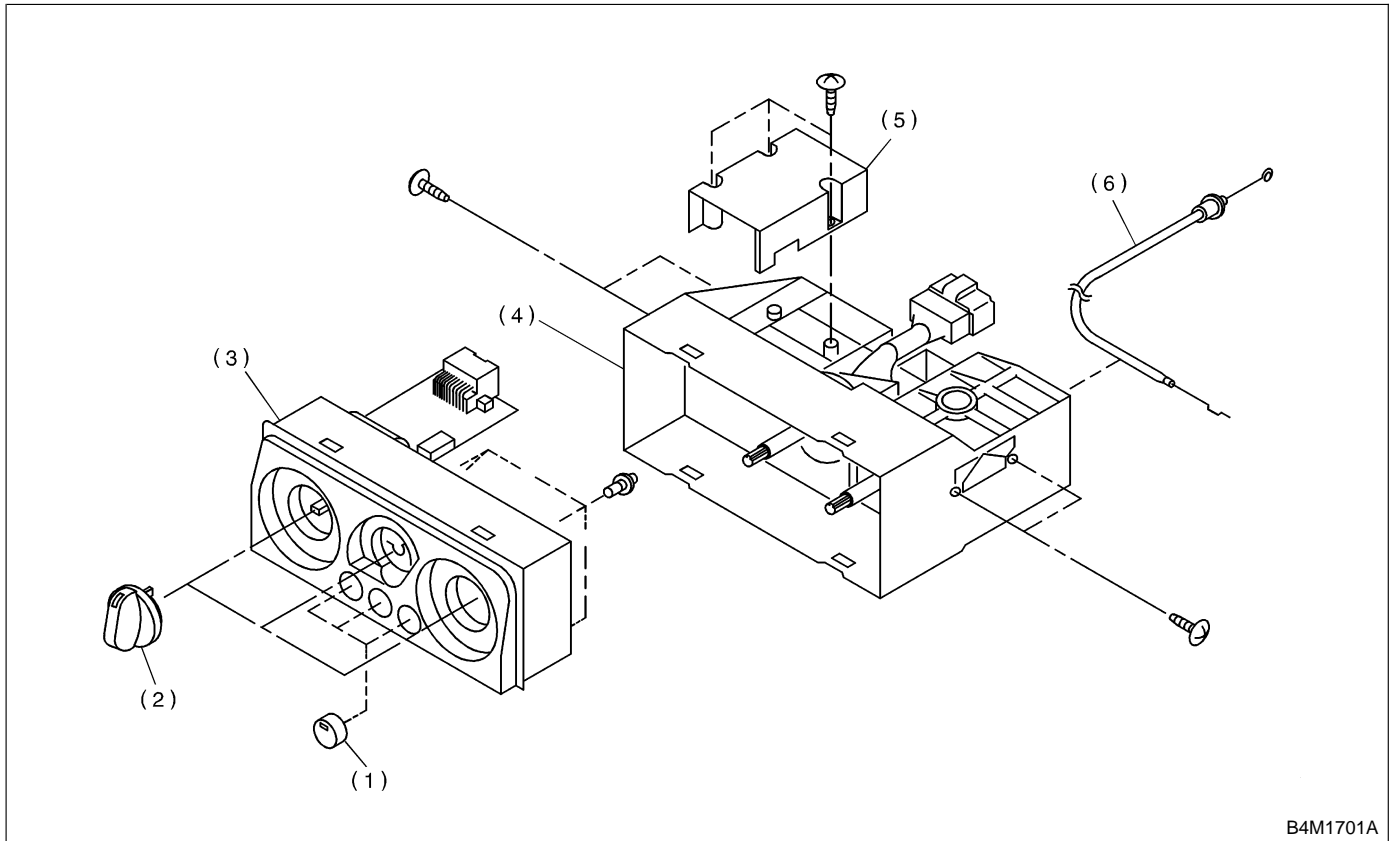


3. Control Unit



B4M1701A

- | | | |
|-----------------------|------------------------|-------------------------------|
| (1) Switch | (3) Control panel ASSY | (5) Cover |
| (2) Control dial knob | (4) Base unit | (6) Temperature control cable |