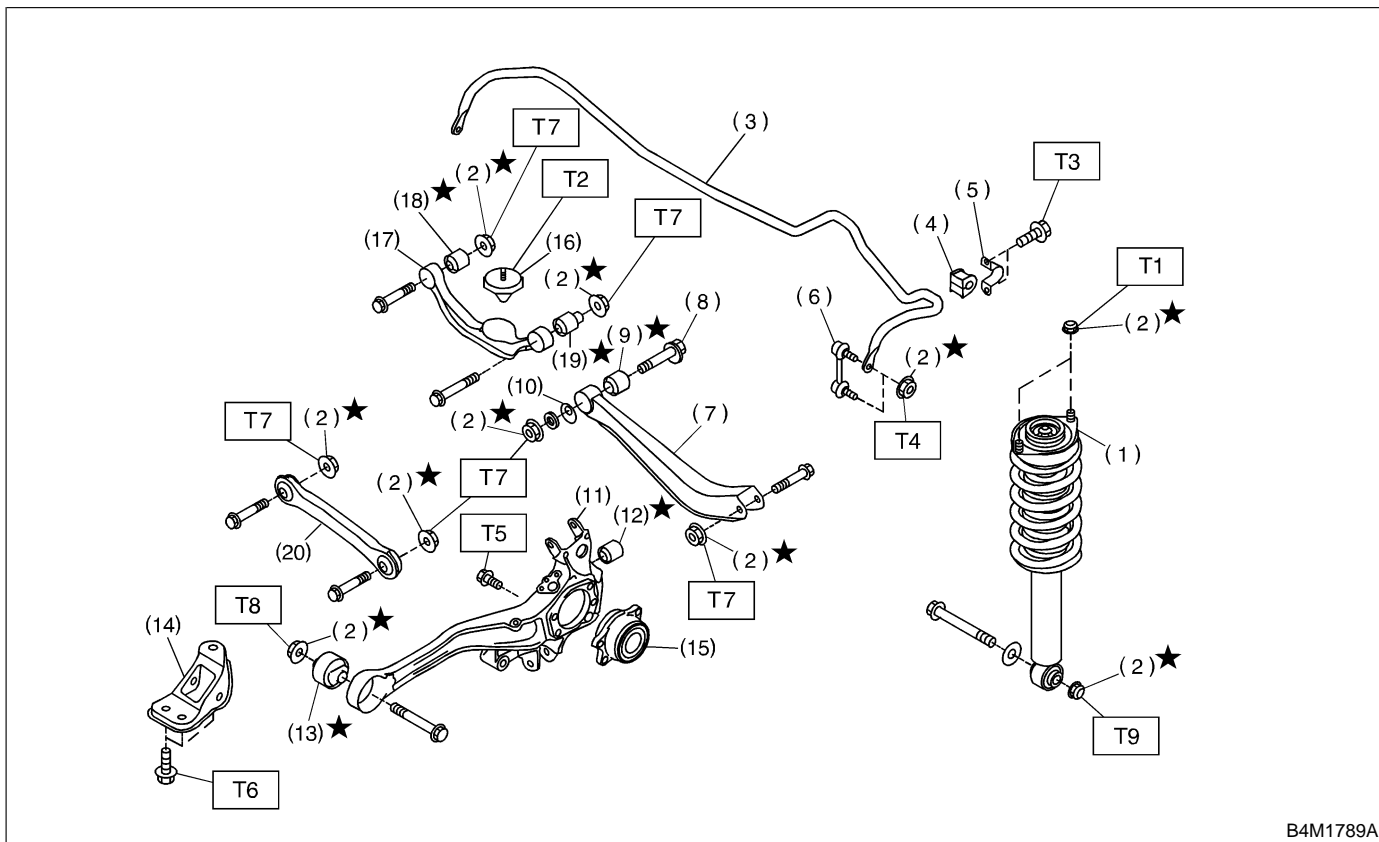


7. Rear Arm

A: REMOVAL



B4M1789A

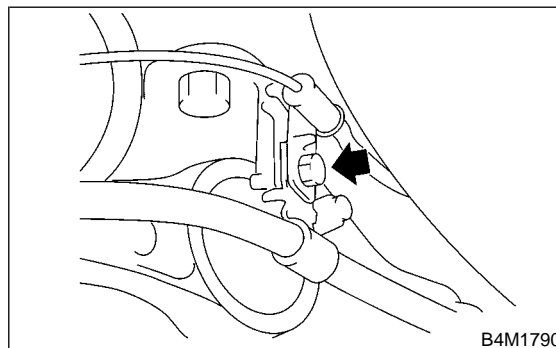
- | | |
|------------------------|-----------------------------------|
| (1) Shock absorber | (12) Rear arm rear bushing |
| (2) Self-locking nut | (13) Rear arm front bushing |
| (3) Stabilizer | (14) Rear arm bracket |
| (4) Stabilizer bushing | (15) Hub bearing unit |
| (5) Clamp | (16) Helper |
| (6) Stabilizer link | (17) Link upper |
| (7) Link rear | (18) Link upper bushing (Inside) |
| (8) Adjusting bolt | (19) Link upper bushing (Outside) |
| (9) Link rear bushing | (20) Link front |
| (10) Adjusting washer | |
| (11) Rear arm | |

Tightening torque: N·m (kg·m, ft·lb)

- T1: 30±7 (3.1±0.7, 22.4±5.1)**
T2: 32±10 (3.3±1.0, 23.9±7.2)
T3: 39±7 (4.0±0.7, 28.9±5.1)
T4: 44±6 (4.5±0.6, 32.5±4.3)
T5: 66±10 (6.7±1.0, 48.5±7.2)
T6: 108±15 (11±1.5, 80±11)
T7: 123±15 (12.5±1.5, 90±11)
T8: 147±20 (15±2, 108±14)
T9: 157±20 (16±2, 116±14)

- 1) Lift-up the vehicle and remove rear wheel.
- 2) Remove bearing unit. <Ref. to 4-2 [W2A0].>

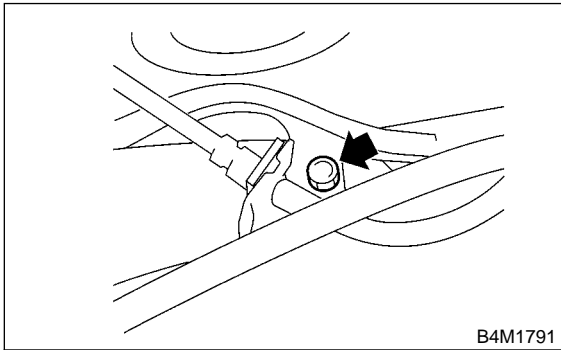
- 3) Remove bolt securing parking brake cable clamp to rear arm.



B4M1790

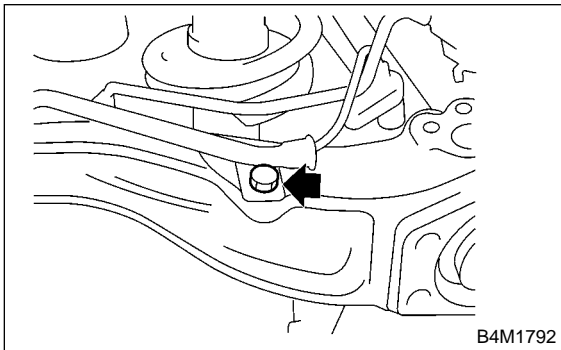
7. Rear Arm

4) Remove bolt securing brake hose to rear arm.



B4M1791

5) Remove bolt securing ABS sensor to rear arm.

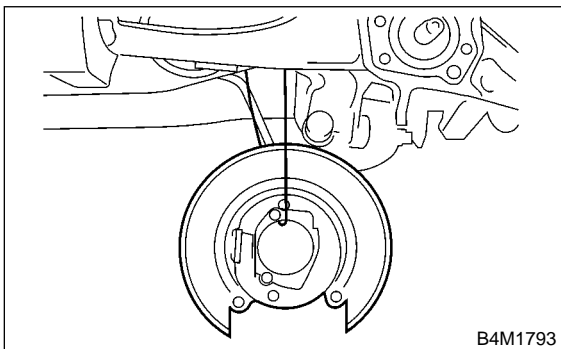


B4M1792

6) Using a flare nut wrench, disconnect brake pipe from wheel cylinder. (Drum brake model only)

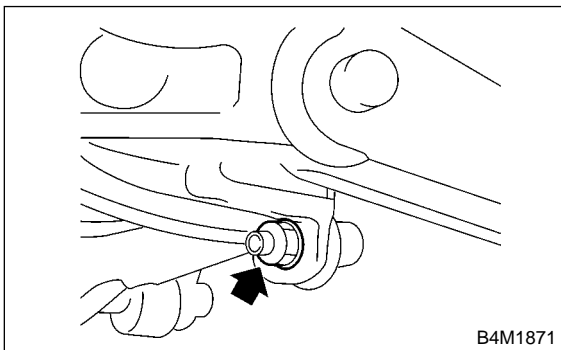
CAUTION:
Cover open end of wheel cylinder and pipe to prevent entry of foreign particles.

7) Suspend the back plate from sub frame.



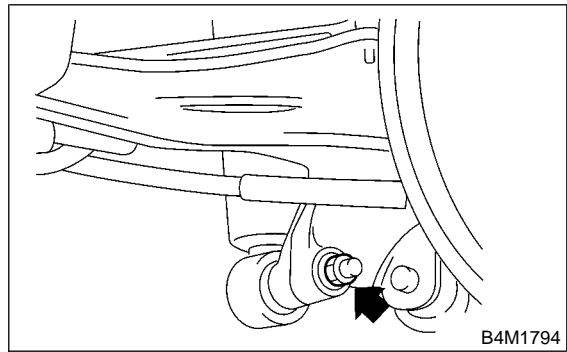
B4M1793

8) Remove nut securing stabilizer link to rear arm.



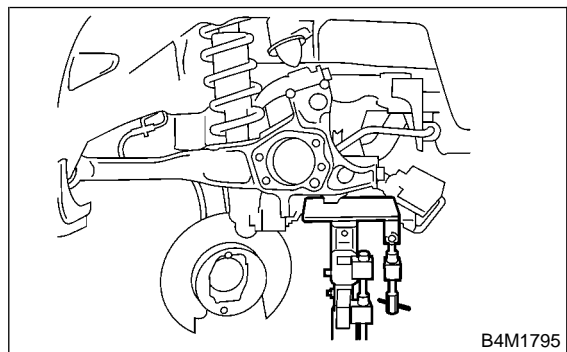
B4M1871

9) Remove bolt securing shock absorber to rear arm.



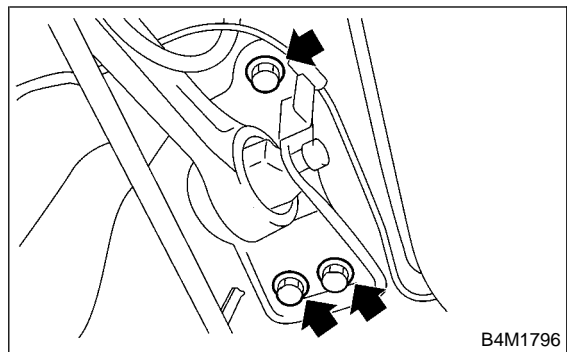
B4M1794

10) Use transmission jack to support rear arm horizontally.



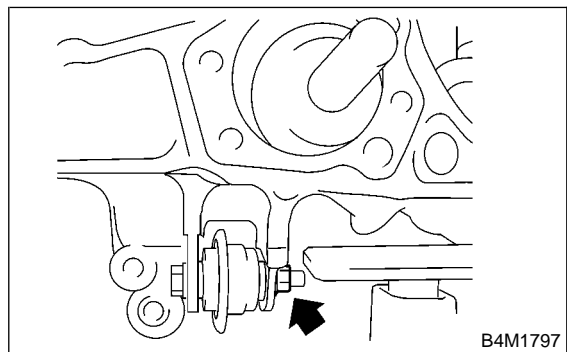
B4M1795

11) Remove bolt securing rear arm to body.



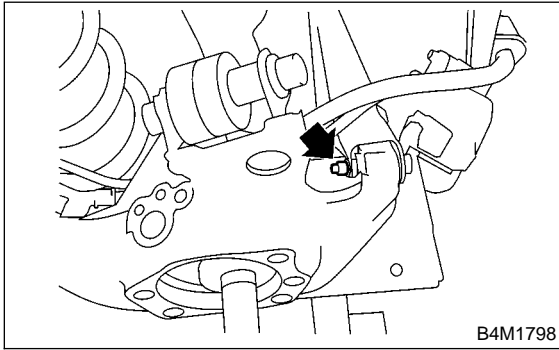
B4M1796

12) Loosen nut securing front rink to rear arm.

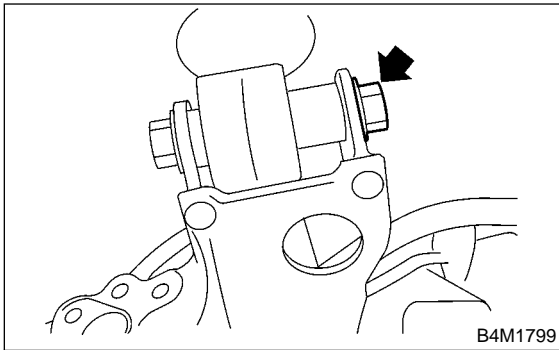


B4M1797

13) Loosen nut securing rear link to rear arm.



14) Loosen nut securing upper link to rear arm.



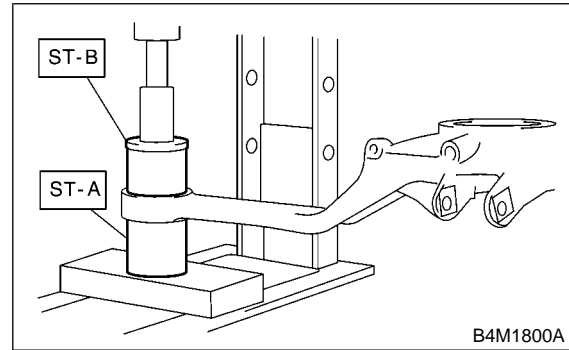
15) Remove bolts securing rear arm to links and remove rear arm.

B: DISASSEMBLY

1. FRONT BUSHING

1) Using ST-A, B, press front bushing out of place.
ST-A, B 20099AE020 INSTALLER & REMOVER SET

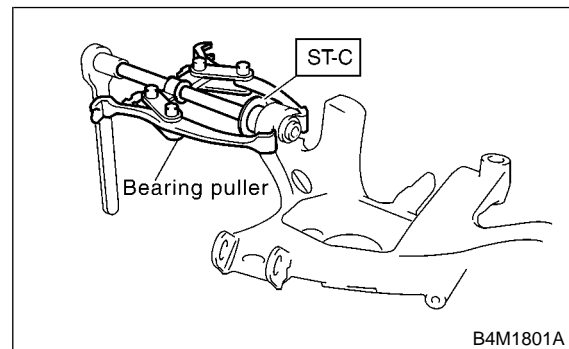
- (1) Set ST-A in position with larger inside diameter side facing up.
- (2) Set rear arm with protruded bushing side facing down.
- (3) Place ST-B on upper side of bushing, then press bushing out of position.



2. REAR BUSHING

Using ST-C and bearing puller, press rear bushing out of place.

ST-C 20099AE040 INSTALLER & REMOVER SET



C: INSPECTION

Check trailing links for bends, corrosion or damage.

D: ASSEMBLY**1. FRONT BUSHING**

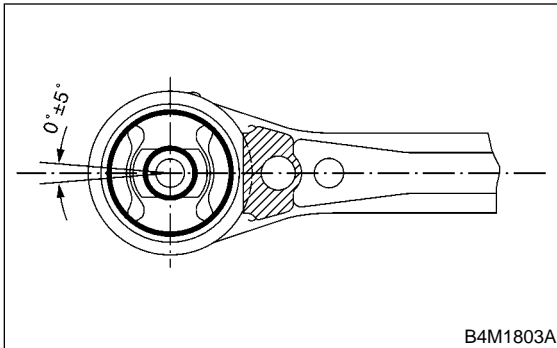
1) Using ST-A, B, press bushing into trailing link.
ST-A, B 20099AE020 INSTALLER &

REMOVER SET

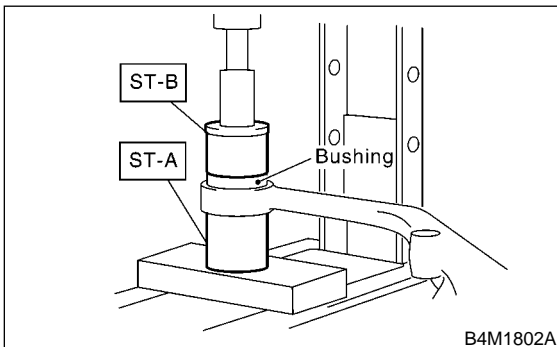
- (1) Set ST-A in position with smaller inside diameter side facing up.
- (2) Set rear arm in position with outer side of vehicle body facing down.
- (3) Place bushing on upper side of rear arm.
- (4) Place ST-B on upper side of bushing, then press bushing into position.

CAUTION:

- Install bushing with painted side facing up.
- Install front bushing in the proper direction, as shown in figure.



B4M1803A



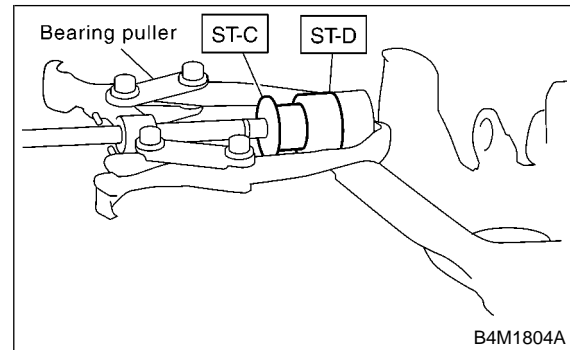
B4M1802A

2. REAR BUSHING

1) Using ST-C, D and bearing puller, press bushing into trailing link.

ST-C, D 20099AE040 INSTALLER &
REMOVER SET

- (1) Insert bushing into bore in ST-D.
- (2) Set ST-C, ST-D and bearing puller in position, as shown in the figure, and press bushing into position.



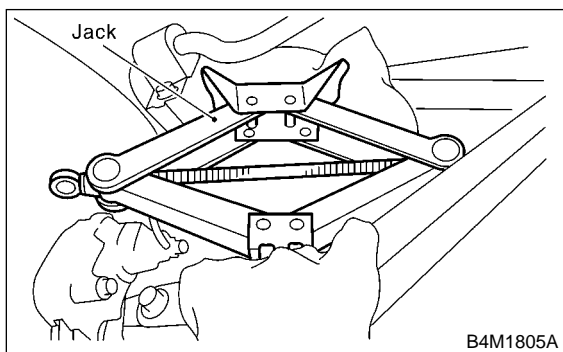
B4M1804A

E: INSTALLATION

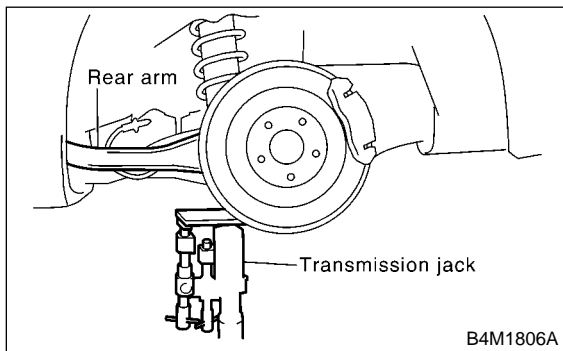
- 1) Use a transmission jack to support the rear arm.
- 2) Install rear arm and temporarily tighten bolts securing rear arm to links.
- 3) Install bearing unit. <Ref. to 4-2 [W2E0].>
- 4) Install bolt securing ABS sensor to rear arm.
- 5) Install bolt securing brake hose to rear arm.
- 6) Install bolt securing parking brake cable clamp to rear arm.
- 7) Place jack (furnished with vehicle) upside down and position it between link rear and sub frame. Adjust jack position so rear shock absorber is aligned with rear arm at their corresponding holes. Install lower shock absorber bolts.

CAUTION:

Put a cloth between jack and its mating area to protect link rear and sub frame from scratches.



- 8) Using transmission jack, support rear arm horizontally and tighten nuts and bolts securing rear arm, link front, link rear, link upper and shock absorber.

**NOTE:**

Check wheel alignment and adjust if necessary.