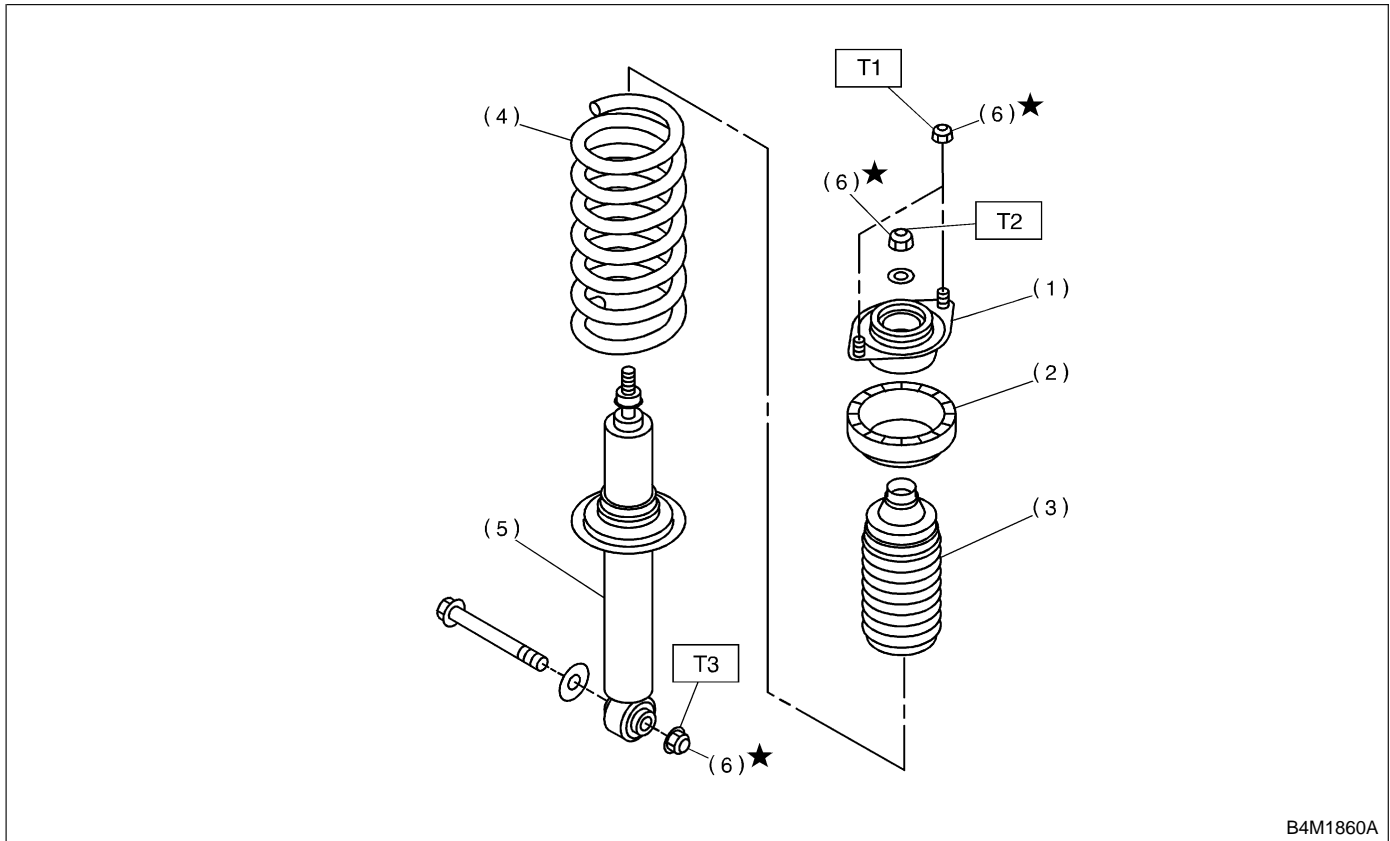


11. Rear Shock Absorber

A: REMOVAL



B4M1860A

- (1) Mount
- (2) Rubber seat upper
- (3) Dust cover
- (4) Coil spring
- (5) Shock absorber
- (6) Self-locking nut

Tightening torque: N·m (kg·m, ft·lb)

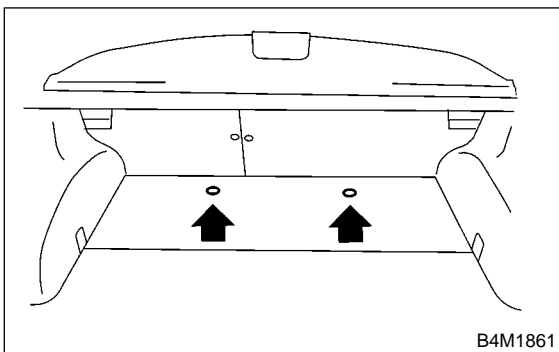
T1: 30±7 (3.1±0.7, 22.4±5.1)

T2: 34±5 (3.5±0.5, 25.3±3.6)

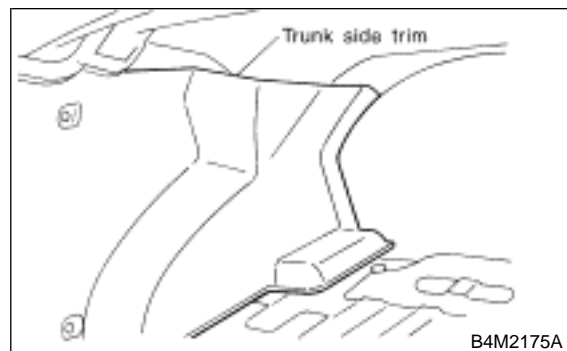
T3: 157±20 (16±2, 116±14)

- 1) Lift-up vehicle and remove rear wheels.
- 2) Remove clip and detach floor mat. (Wagon model)

- 3) Detach trunk mat. (Sedan model)
- 4) Roll up the trunk side trim. (Sedan model)

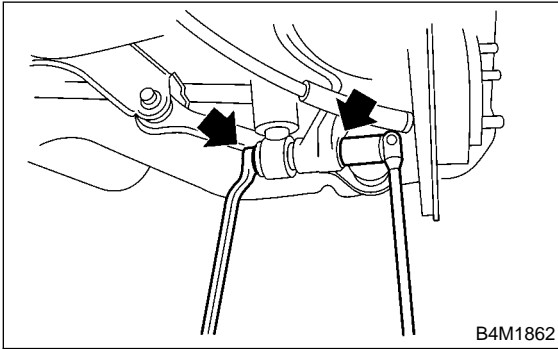


B4M1861

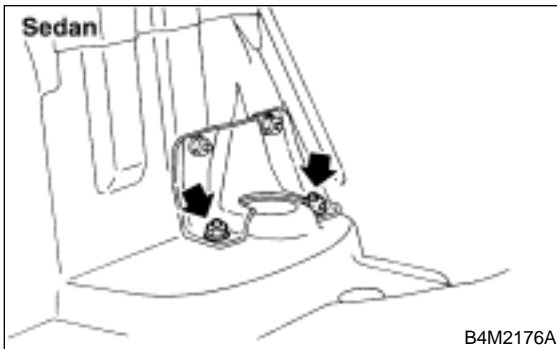
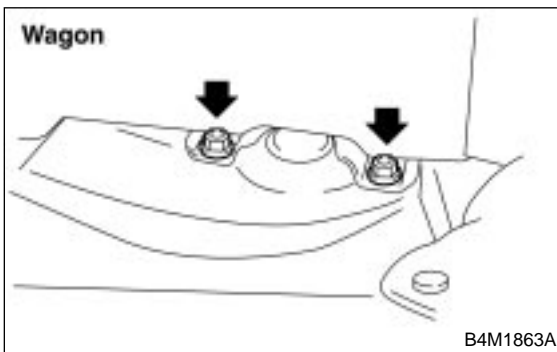


B4M2175A

- 5) Remove bolt securing shock absorber to rear arm.



- 6) Use a jack to support the shock absorber.
7) Remove nuts securing shock absorber mount to body.



- 8) Remove shock absorber.

B: DISASSEMBLY

For disassembly of shock absorber, refer to procedures outlined under front strut as a guide. <Ref. to 4-1 [W4B0].>

C: INSPECTION

Refer to Front Strut as a guide for inspection procedures. <Ref. to 4-1 [W4C0].>

D: ASSEMBLY

Refer to Front Strut as a guide for assembly procedures. <Ref. to 4-1 [W4D0].>

E: INSTALLATION

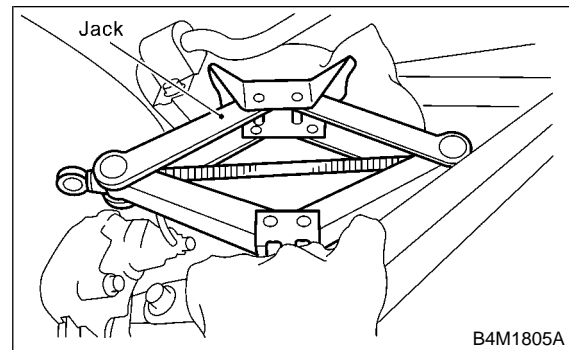
- 1) Use a jack to support the shock absorber.
- 2) Tighten self-locking nut used to secure shock absorber to vehicle body.

CAUTION:
Use a new self-locking nut.

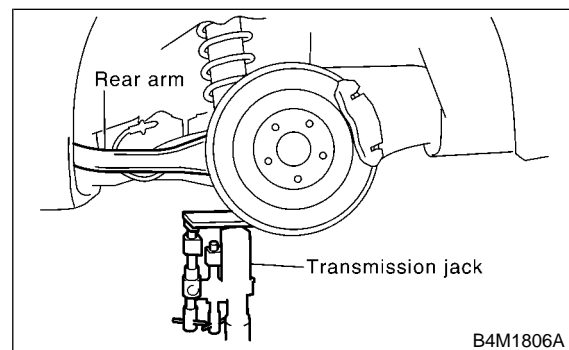
Tightening torque:
 $29 \pm 7 \text{ N-m}$ ($3.0 \pm 0.7 \text{ kg-m}$, $21.7 \pm 5.1 \text{ ft-lb}$)

- 3) Place jack (furnished with vehicle) upside down and position it between link rear and sub frame. Adjust jack position so rear shock absorber is aligned with rear arm at their corresponding holes. Install lower shock absorber bolts.

CAUTION:
Put a cloth between jack and its mating area to protect link rear and sub frame from scratches.



- 4) Using transmission jack, support rear arm horizontally and tighten shock absorber nuts and bolts to specified torque.



Tightening torque:
 $157 \pm 20 \text{ N-m}$ ($16 \pm 2 \text{ kg-m}$, $116 \pm 14 \text{ ft-lb}$)

CAUTION:
Use a new self-locking nut.

- 5) Install floor mat. (Wagon model)
- 6) Set trunk side trim. (Sedan model)
- 7) Install trunk mat. (Sedan model)

NOTE:
Check wheel alignment and adjust if necessary.