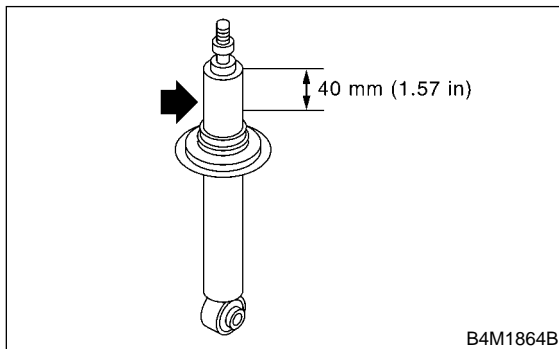


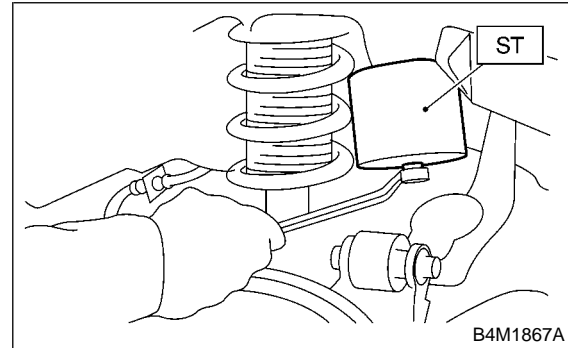
F: DISPOSAL PROCEDURES FOR SHOCK ABSORBER**CAUTION:**

- Completely discharge the gas from the shock absorber before disposal. Follow the disposal procedure outlined below.
- Do not disassemble shock absorber or place into a fire.
- Drill holes before disposing of shock absorber.
- Before handling shock absorber, be sure to wear goggles to protect eyes from gas, oil and/or filings.

- 1) Place shock absorber on a flat and level surface with piston rod fully extended.
- 2) Using a 2 to 3 mm (0.08 to 0.12 in) dia. drill, drill 30 mm (1.18 in) deep holes in areas shown in the figure.

**12. Helper****A: REMOVAL**

- 1) Jack-up the rear part of the vehicle, support it with safety stands (rigid racks).
- 2) Using ST, remove helper.
ST 20099AE030 HELPER

**B: INSPECTION**

Check helper for cracks, fatigue or damage.

C: INSTALLATION

To install, reverse the removal procedure.

Tightening torque:

32 ± 10 N·m (3.3 ± 1.0 kg·m, 23.9 ± 7.2 ft·lb)