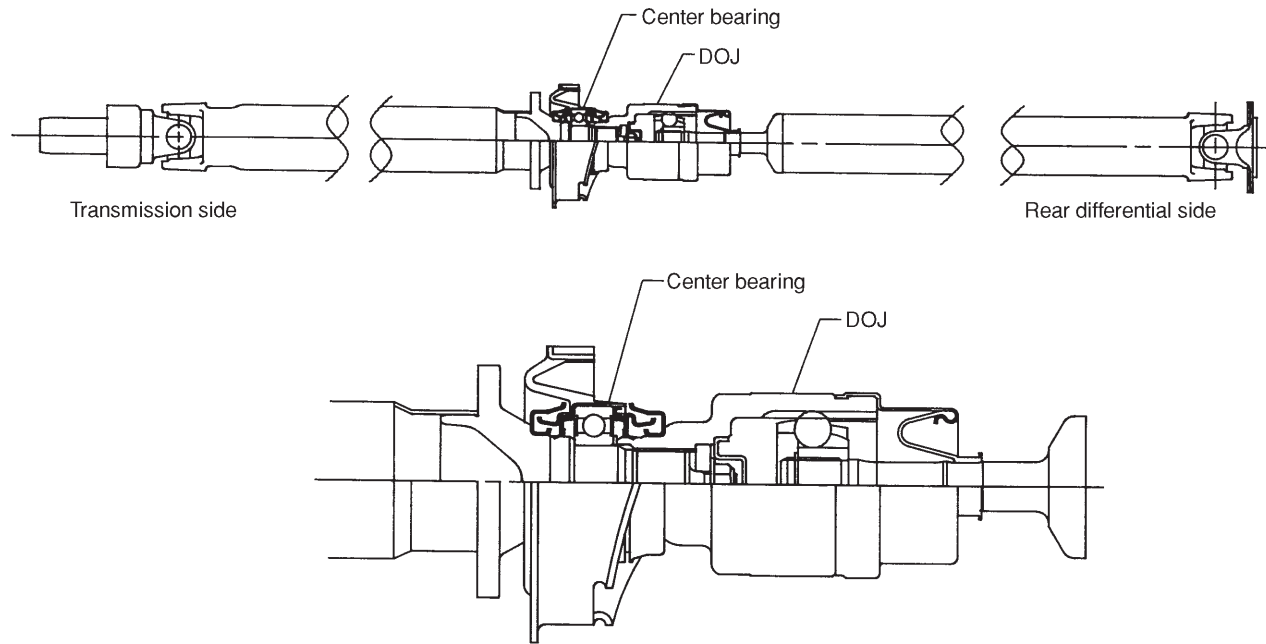


3-4 [M100] 1. Propeller Shaft

MECHANISM AND FUNCTION

1. Propeller Shaft

The constant-velocity joint propeller shaft is installed to provide quiet operation of drive line components. The center joint is a DOJ (double offset joint) type which extends and retracts in the axial direction.



S3H0008A