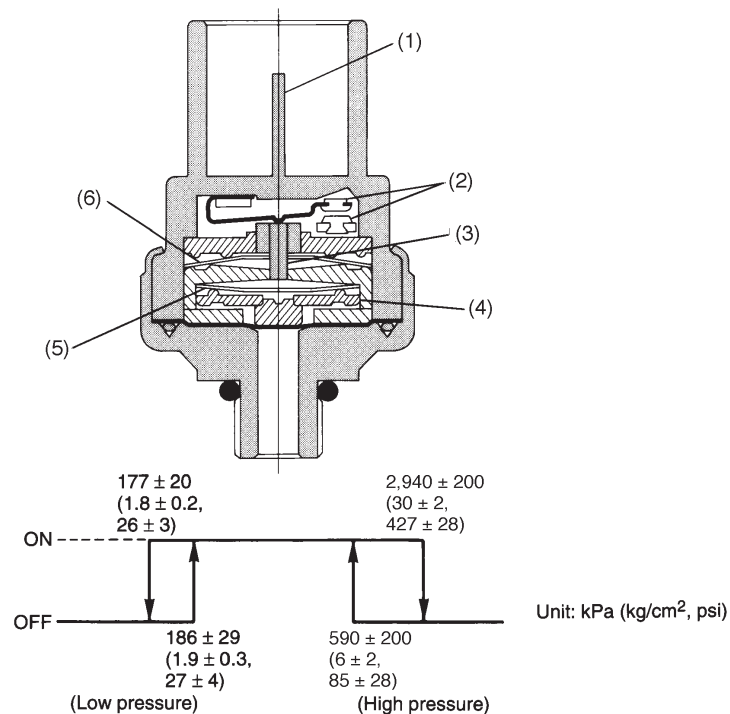


## 5. Dual Switch

The dual switch is located on the high pressure line above the receiver dryer. When an abnormal pressure occurs in the high pressure line, the dual switch is forced to OFF to stop operation of the compressor.

- When the pressure is abnormally low [177 kPa (1.8 kg/cm<sup>2</sup>, 26 psi) or less]  
The dual switch is forced to OFF to prevent operation of the compressor when there is no gas caused by leakage of the refrigerant.
- When the pressure is abnormally high [2,940 kPa (30 kg/cm<sup>2</sup>, 427 psi) or more]  
The dual switch is forced to OFF to protect the air-conditioning cycle parts.



B4H0172C

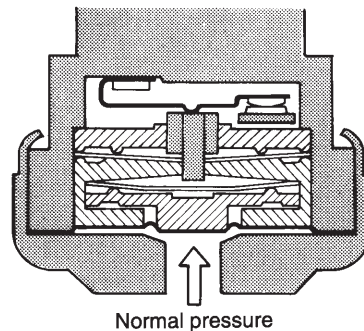
- |                    |                        |
|--------------------|------------------------|
| (1) Point terminal | (4) Press guide        |
| (2) Contact point  | (5) High pressure disc |
| (3) Guide pin      | (6) Low pressure disc  |

## 4-7 [M5A0] 5. Dual Switch

### MECHANISM AND FUNCTION

#### A: DURING NORMAL OPERATION (CONTACT POINT IS ON)

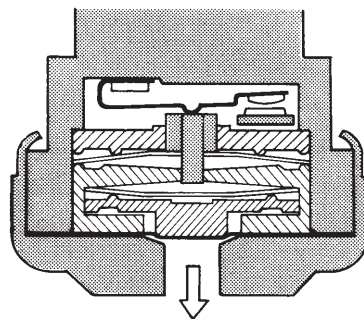
When the refrigerant pressure is applied from inside the housing to the seal film, a force is exerted from the stopper, guide head, high pressure disc and high pressure internal lid to the low pressure disc to set the low pressure guide pin free, causing the moving contact to be ON.



B4H0173

#### B: DURING ABNORMAL LOW-PRESSURE OPERATION

If the refrigerant pressure falls, the pressure on the seal film is lost, and the force exerted from the stopper, guide head, high pressure disc and high pressure internal lid to the low pressure disc decreases, and the low pressure disc rotates back, pressing the guide pin down and causing the moving contact to be OFF.

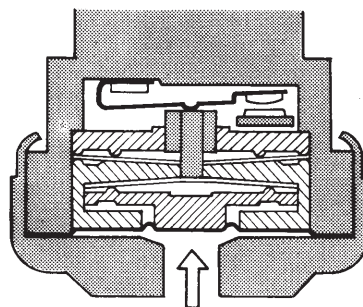


Abnormal low pressure  
Approx. 177 kPa (1.8 kg/cm<sup>2</sup>, 26 psi) or less

B4H0174

#### C: DURING ABNORMAL HIGH-PRESSURE OPERATION

If the refrigerant pressure becomes abnormally high, a force is exerted from the seal film to the guide head and press guide, and the high pressure disc rotates back, pressing the guide pin down and causing the moving contact to be OFF.



Abnormal high pressure  
Approx. 2,940 kPa (30 kg/cm<sup>2</sup>, 427 psi) or more

B4H0175