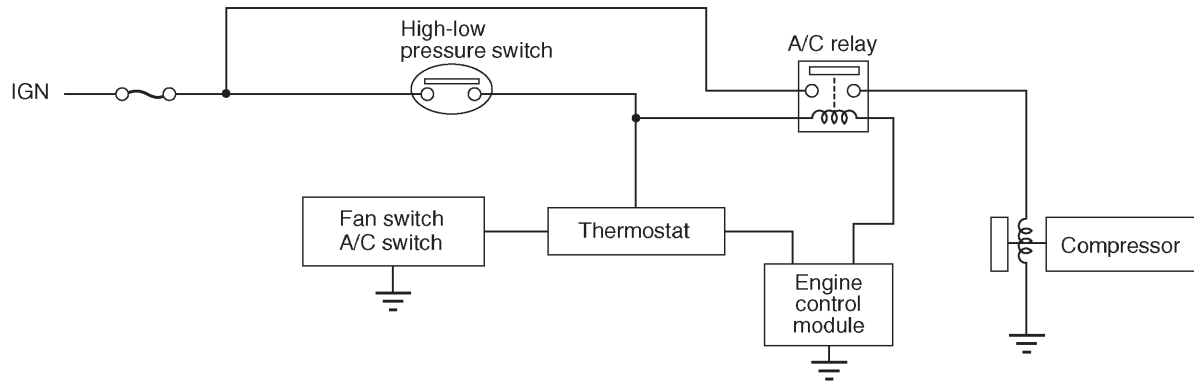


8. Compressor Clutch "ON" Delay System

When air conditioning system relay operates, a signal is entered into engine control module. Engine control module then judges engine operation and activates A/C relay. Maximum clutch "ON" delay occurs 0.8 seconds after A/C relay activates.



B4H1832A