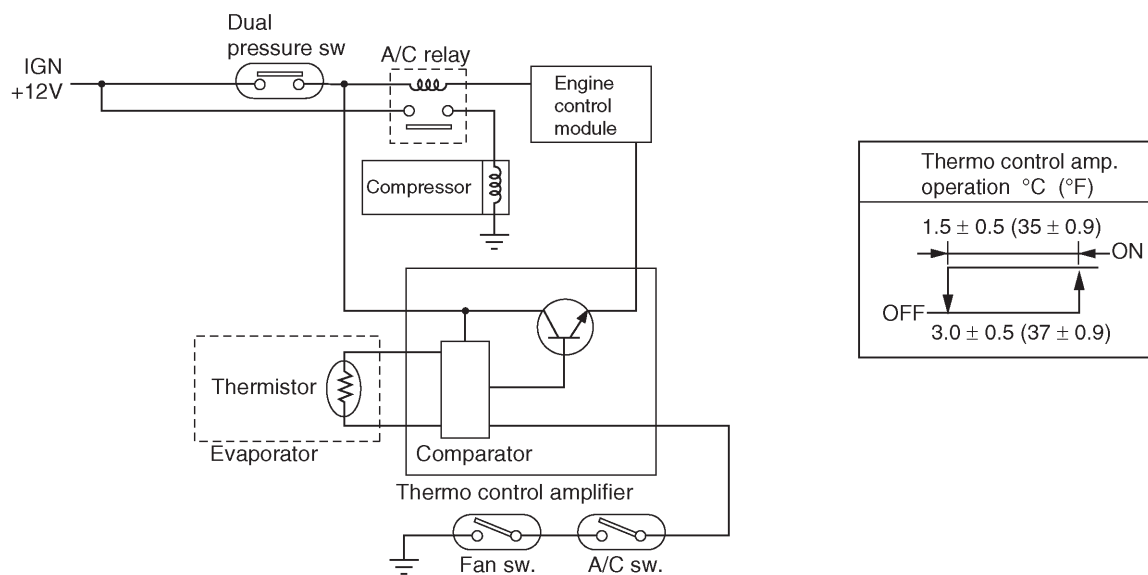


4-7 [M9A0]**MECHANISM AND FUNCTION****9. Compressor Control System****9. Compressor Control System****A: GENERAL**

- 1) When the A/C switch and fan switch are turned ON, the A/C relay activates. The compressor is turned on, and then the main and sub fans also operate. Blower relay operates to direct the air flowrate determined by FAN switch position.
- 2) The thermo amplifier activates to stop the compressor clutch and main and sub fans.
- 3) When the "High-Low" pressure switch operates, the compressor clutch is stop and the main and sub fans are stop.

B: THERMO CONTROL AMPLIFIER

The thermo control amplifier disconnects the magnet clutch circuit to prevent the evaporator from becoming frosted when the temperature of the evaporator fin drops close to "3°C (37°F)". As the evaporator is cooled, the thermistor (located on the evaporator fin) interrupts the "base" current of the amplifier. This in turn deenergizes the A/C relay coil, which in turn disconnects the magnet clutch circuit.

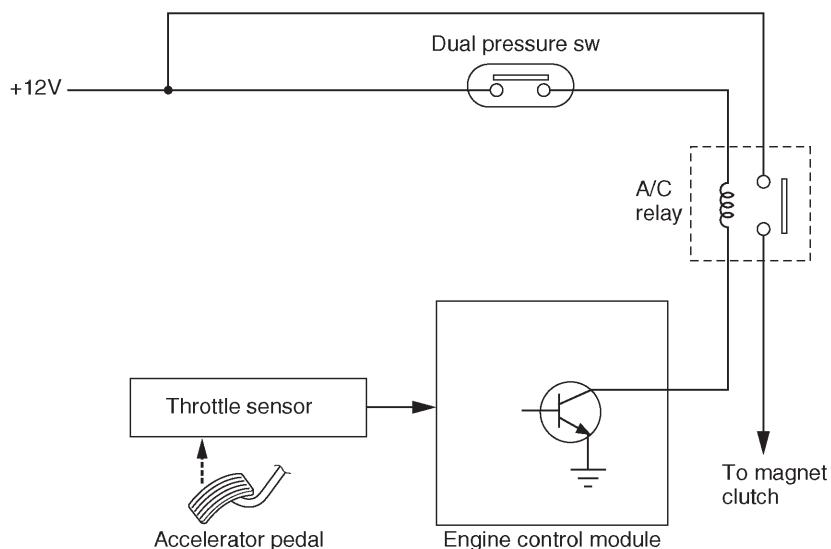


B4H2242A

C: ACCELERATION CUT SYSTEM

The A/C switch turns the A/C system ON or OFF. The on-off operation of the switch is transmitted to the ECM.

The A/C relay breaks the current flow to the compressor, through the use of an output signal from the ECM, for a certain period of time when a "full-throttle" signal (emitted from the throttle sensor) enters the ECM while the compressor is operating. This prevents the degradation of acceleration performance and stabilizes the main fuse box located on the left side of the engine compartment.

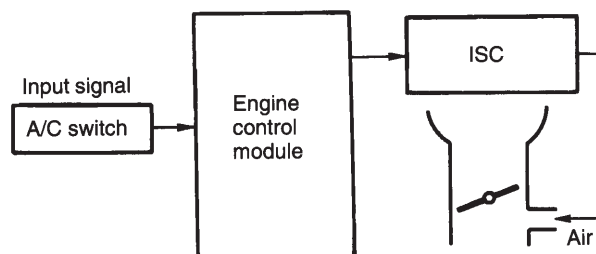


B4H1834A

D: I.S.C.

The I.S.C. increases engine idle speed when the compressor is turned ON.

The Engine Control module activates the idle speed control solenoid valve in advance to control the amount of by-pass air flowing through the throttle body in relation to the signal emitted from the A/C switch, so that the proper idle speed specified for each engine load is achieved.



B4H0181

4-7 [M9E0]**MECHANISM AND FUNCTION****9. Compressor Control System****E: FAN CONTROL**

The main fan and sub fan are switch turn ON and OFF, according to the operating modes shown in the following table.

Vehicle speed	A/C compressor	Engine coolant temperature					
		Less than 95°C (Less than 203°F)		Between 95 and 99°C (Between 203 and 210°F)		More than 100°C (More than 212°F)	
		Operation of radiator fan		Operation of radiator fan		Operation of radiator fan	
		Main	Sub	Main	Sub	Main	Sub
Less than 19 km/h (Less than 12 MPH)	OFF	OFF	OFF	ON	OFF	ON	ON
	ON	ON	ON	ON	ON	ON	ON
Between 20 and 69 km/h (Between 12 and 43 MPH)	OFF	OFF	OFF	ON	OFF	ON	ON
	ON	ON	ON	ON	ON	ON	ON
Between 70 and 105 km/h (Between 43 and 65 MPH)	OFF	OFF	OFF	OFF	OFF	ON	ON
	ON	ON	OFF	ON	ON	ON	ON
More than 106 km/h (More than 66 MPH)	OFF	OFF	OFF	OFF	OFF	ON	ON
	ON	OFF	OFF	ON	OFF	ON	ON