

3-2 [M4A0]

4. 2-4 Brake

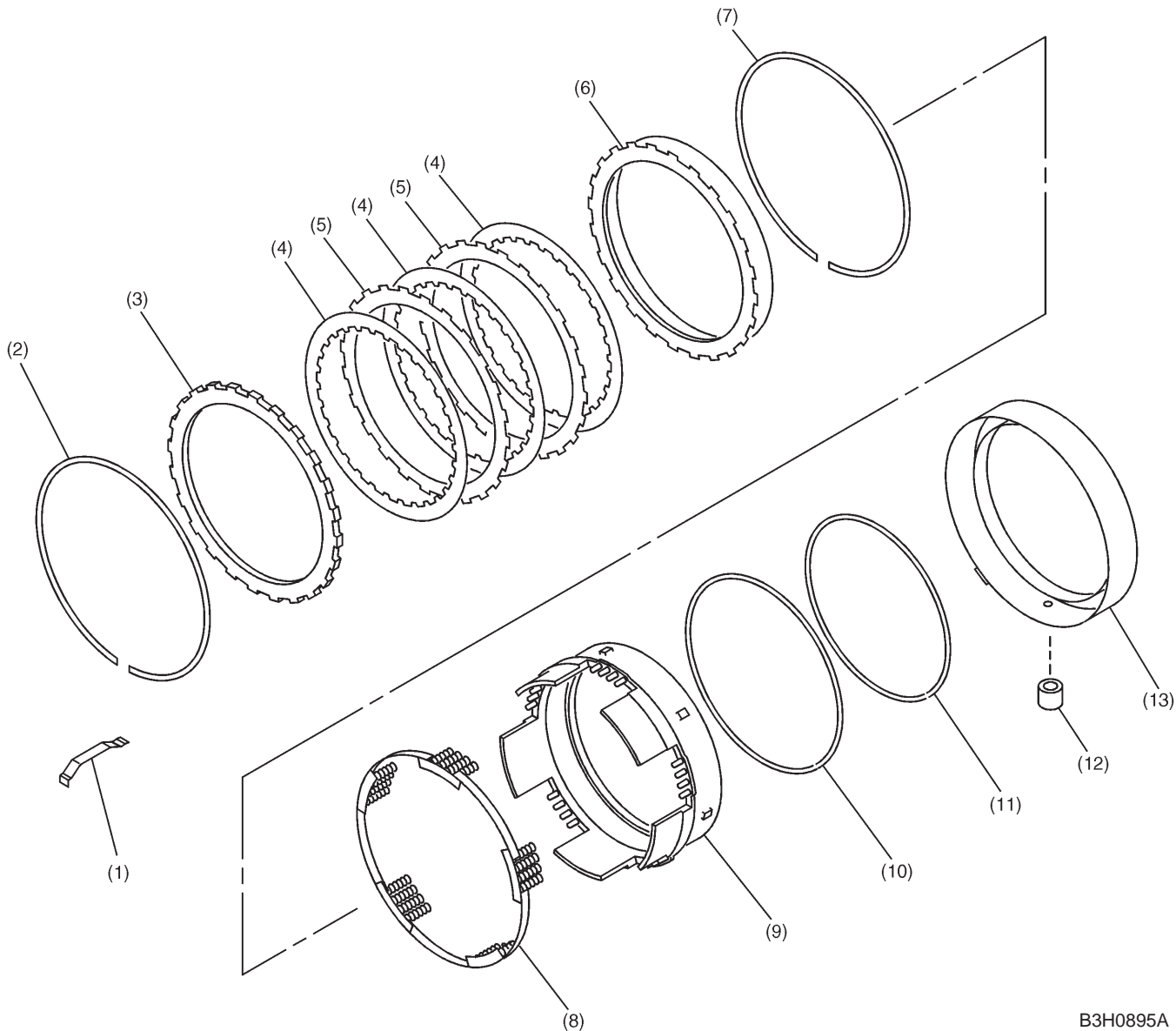
MECHANISM AND FUNCTION

4. 2-4 Brake

A: CONSTRUCTION

The 2-4 brake is composed of a 2-4 brake piston, spring retainer, pressure plate, drive plates and driven plates.

This clutch operates with hydraulic pressure from the transmission control valve to fix the front sun gear when the 2nd gear is selected in D, 3 or 2 range, or when the 4th gear is selected in D range.



B3H0895A

- | | |
|-------------------------|--------------------------------|
| (1) Leaf spring | (8) Spring retainer |
| (2) Snap ring | (9) 2-4 brake piston |
| (3) Retaining plate | (10) Lathe cut seal ring |
| (4) Drive plate | (11) Lathe cut seal ring |
| (5) Driven plate | (12) 2-4 brake piston seal |
| (6) Pressure rear plate | (13) 2-4 brake piston retainer |
| (7) Snap ring | |