

**6-2 [M1A0]**  
1. Fuse

**MECHANISM AND FUNCTION**

**1. Fuse**

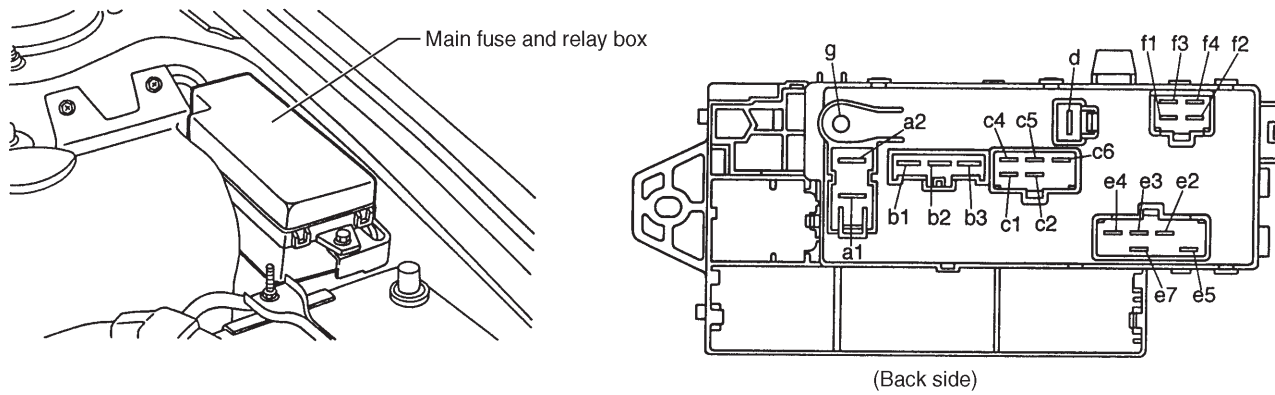
**A: MAIN FUSE AND RELAY BOX**

The main fuse and relay box is installed at the rear of the battery on left side of the engine compartment.

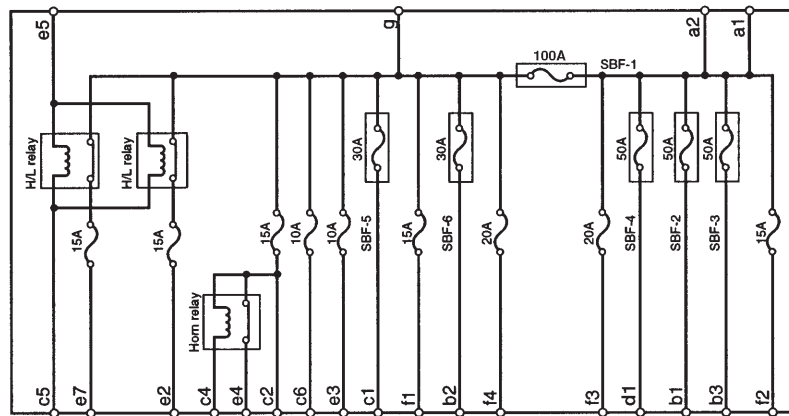
The fuses, relays and fusible links are installed in the box as described below.

NOTE:

The destined connection points shown are for a typical case. For details, refer to the Wiring Diagram Manual.



**Circuit diagram**



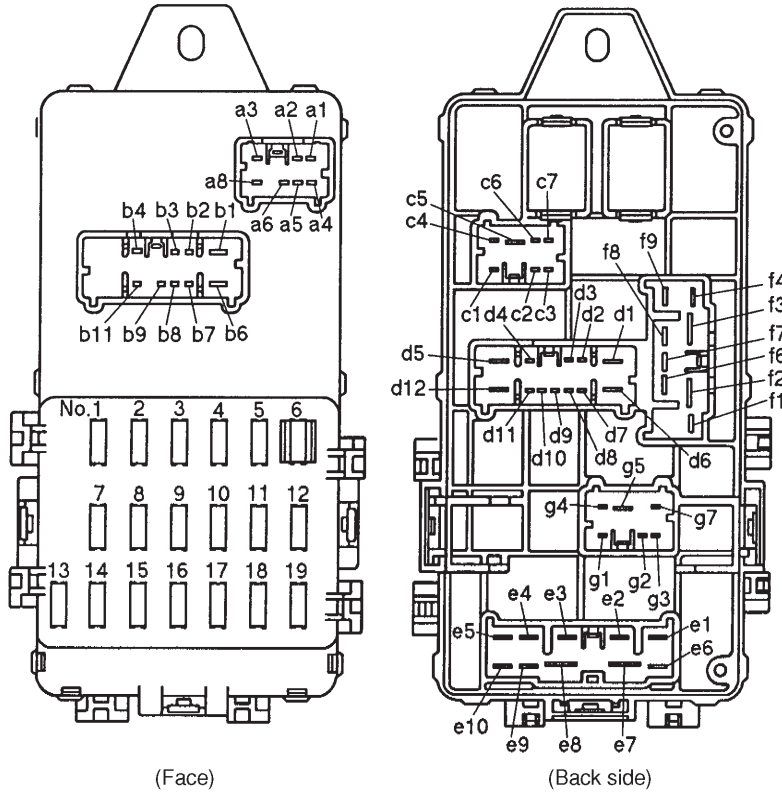
S6H0024A

# MECHANISM AND FUNCTION

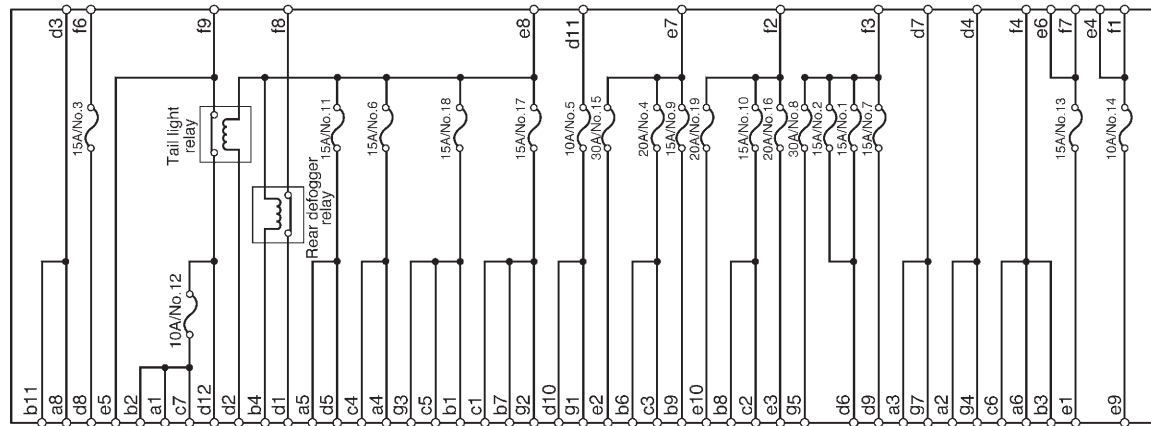
## B: JOINT BOX

The joint box is installed under the instrument panel on driver's side.

The fuses are installed in the joint box as described below.



### Circuit diagram



B6H1163A