

6. Power Window

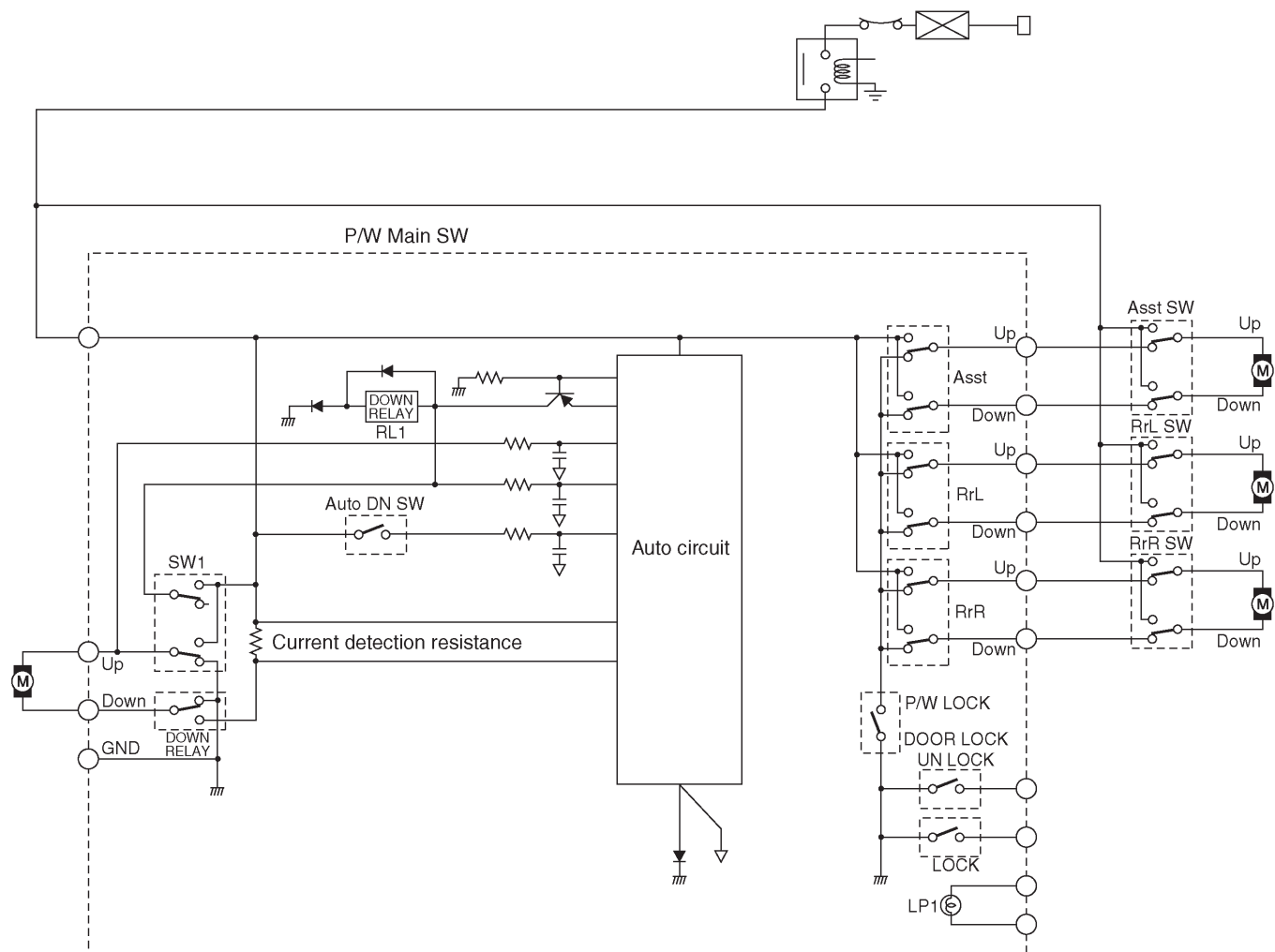
A: CONSTRUCTION

- The power window system consists of regulator motor and switch (installed in each door), relay and circuit breaker unit.
- Each door window opens/closes by pushing down/pulling up the switch.
- Only driver's door window switch has a 2-stage mechanism;
 - When the switch is pushed down to "one click" position and held there, the window continues to lower until the switch is released.
 - When the switch is pushed down fully, the window lowers to the end position automatically.

NOTE:

For the sake of safety, the power window system is designed to operate only when the ignition switch is in ON position.

B: CIRCUIT DIAGRAM



B6H1306A