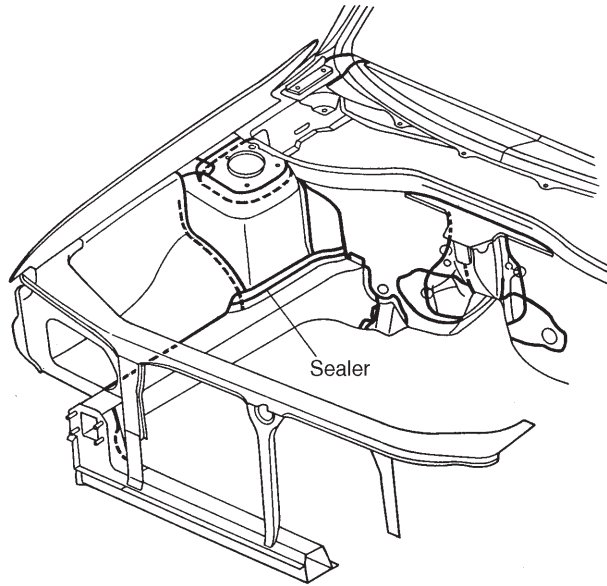


MECHANISM AND FUNCTION

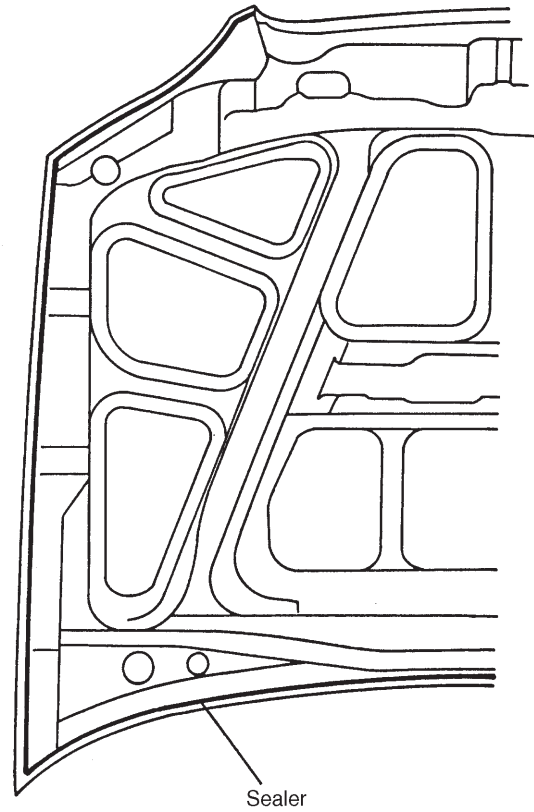
6. Sealer Application

A: ENGINE ROOM



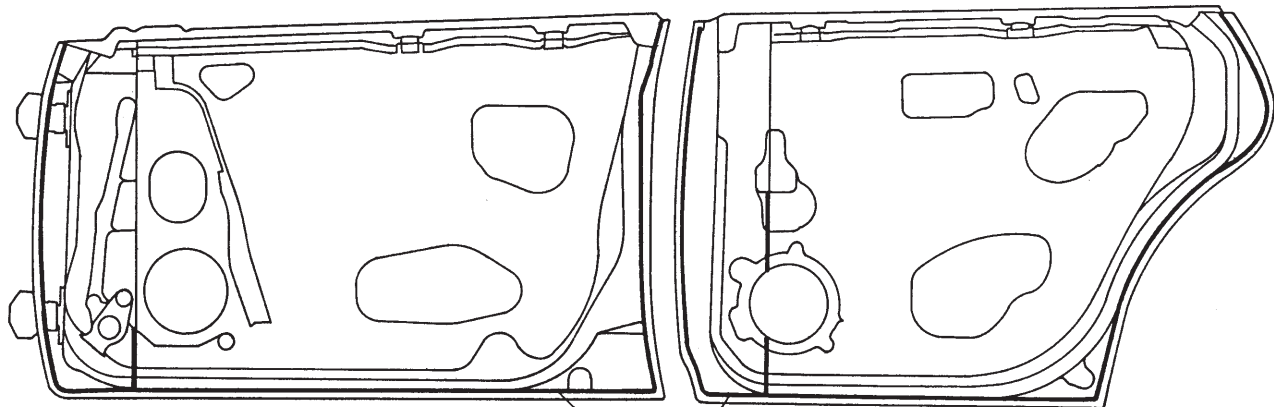
B5H0616A

B: FRONT HOOD



B5H0617A

C: DOOR

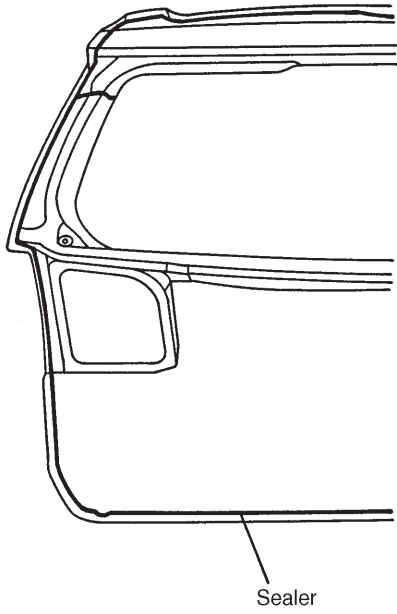


B5H0618A

5-1 [M6D0]
6. Sealer Application

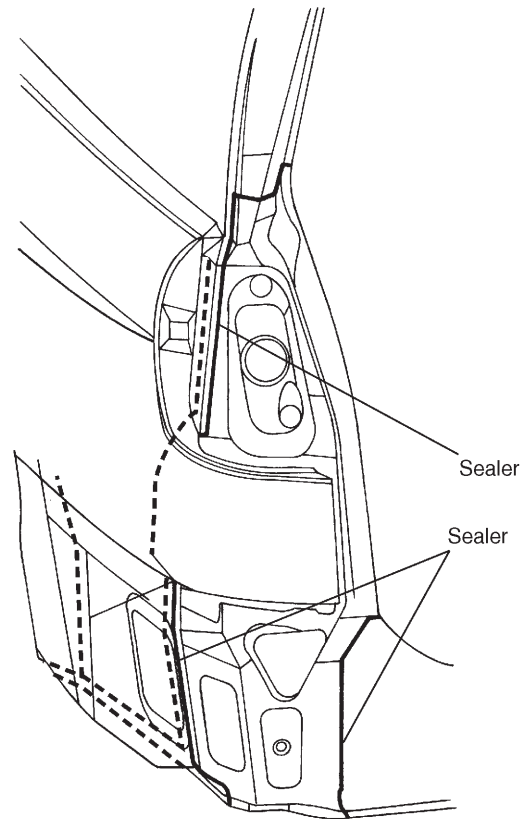
MECHANISM AND FUNCTION

D: REAR GATE



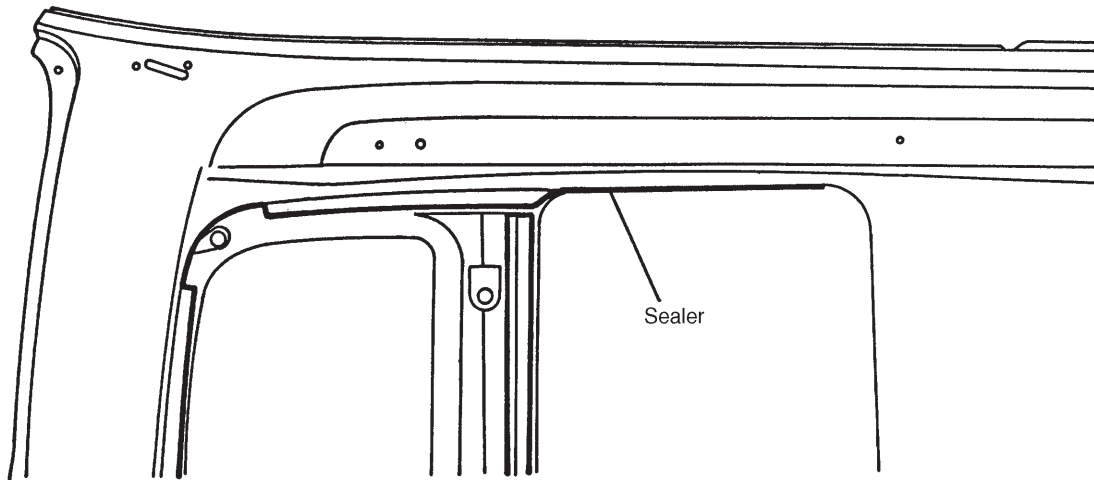
B5H0619A

E: REAR END (WAGON)



B5H0832A

F: ROOF PANEL (WAGON SUN ROOF)

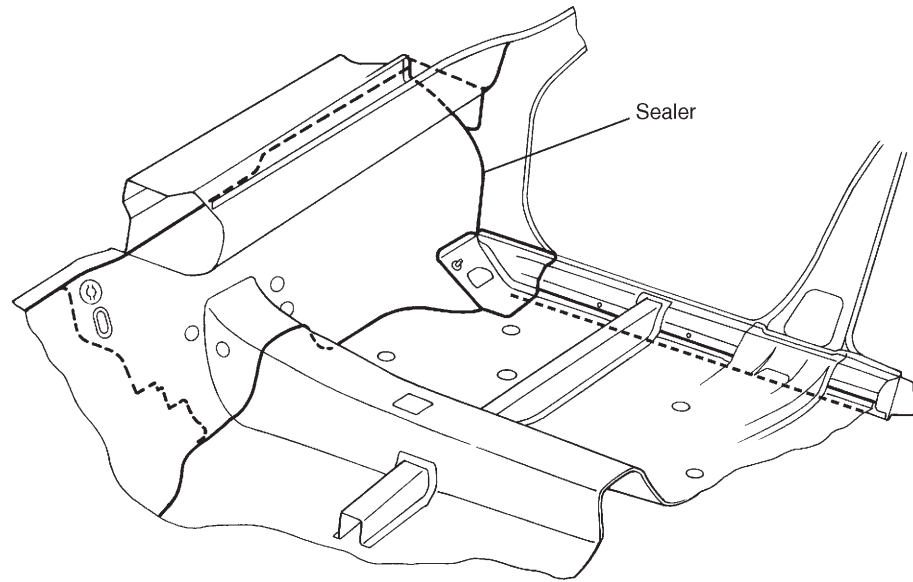


B5H0621A

MECHANISM AND FUNCTION

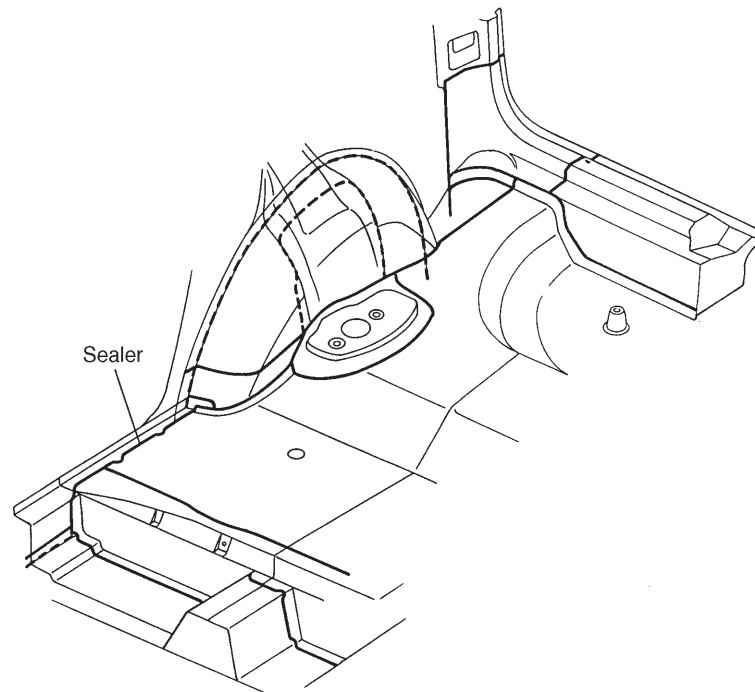
[M6H0] 5-1
6. Sealer Application

G: FRONT FLOOR



B5H0833A

H: REAR FLOOR

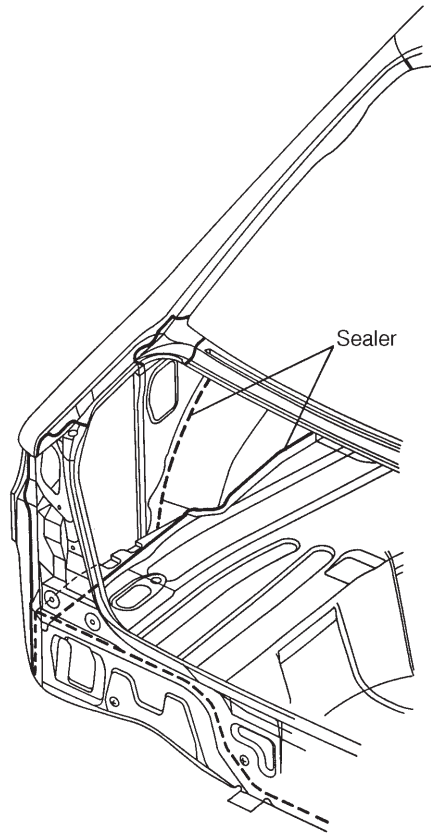


B5H0623A

5-1 [M610]
6. Sealer Application

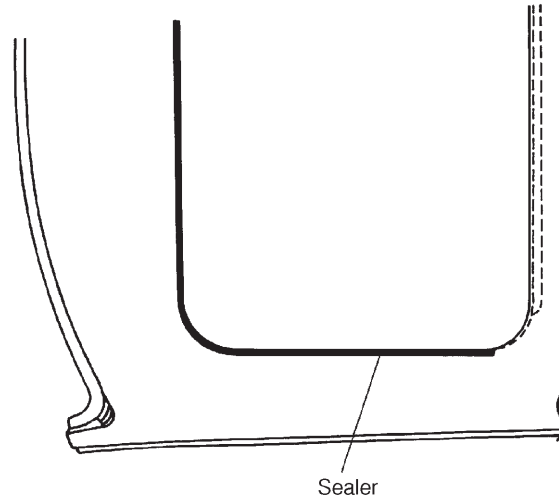
MECHANISM AND FUNCTION

I: REAR END (SEDAN)



B5H0788A

J: ROOF PANEL (SEDAN SUN ROOF)



B5H0834A

MECHANISM AND FUNCTION

5-1

MEMO