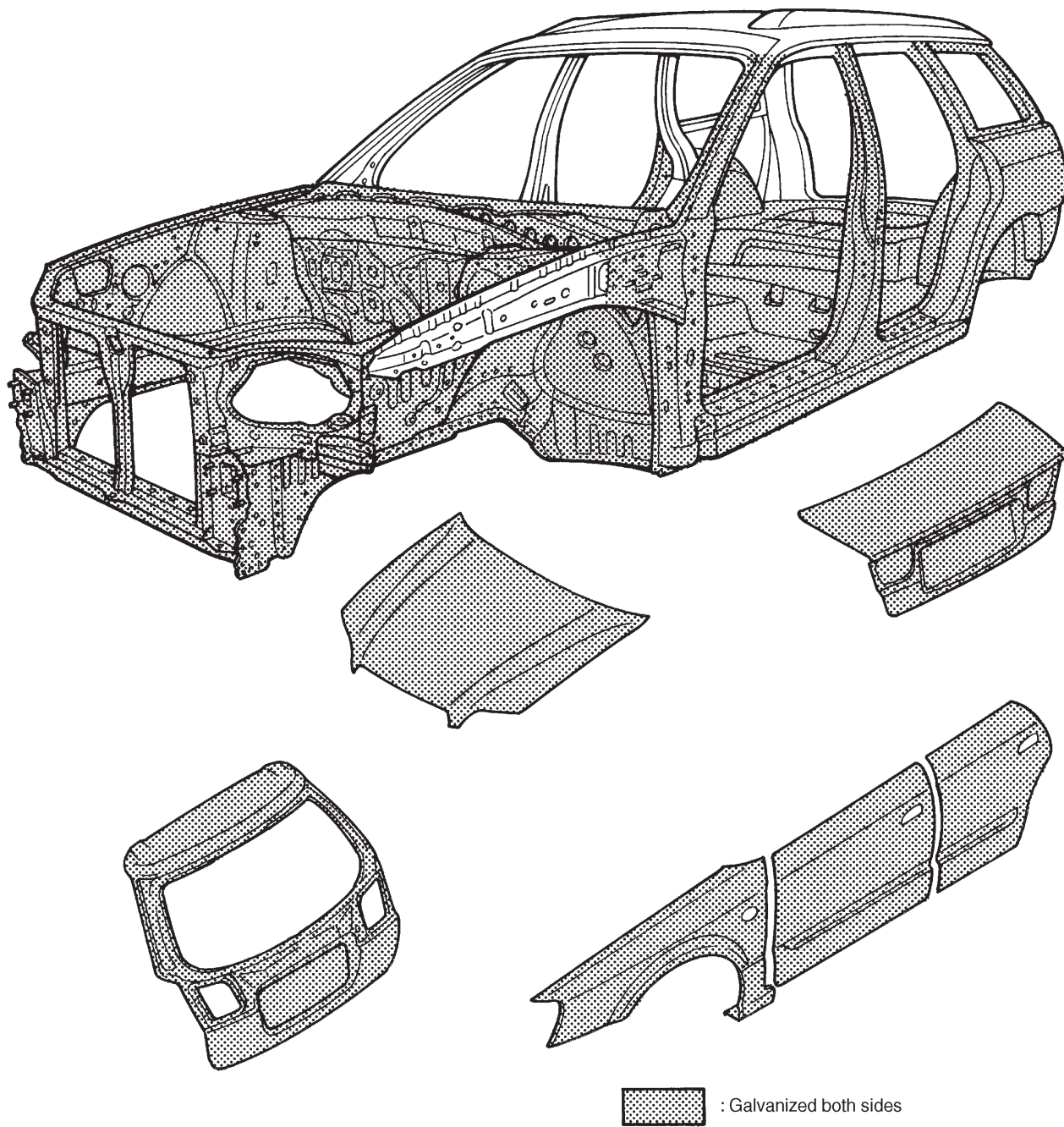


5-1 [M1100]

MECHANISM AND FUNCTION

11. Galvanized Sheet Metal Application

11. Galvanized Sheet Metal Application



B5H0838A