

## 13. Sunroof

### A: SEDAN

#### 1. DESCRIPTION

The sunroof has two operating mechanisms. One raises the rear of the glass lid for ventilation and the other fully opens the glass lid.

The sunroof also has the following features:

- The reduced thickness of the roof provides extra-overhead clearance in the passenger compartment.
- Die-cast aluminium is used for sun roof components, thus reducing weight.

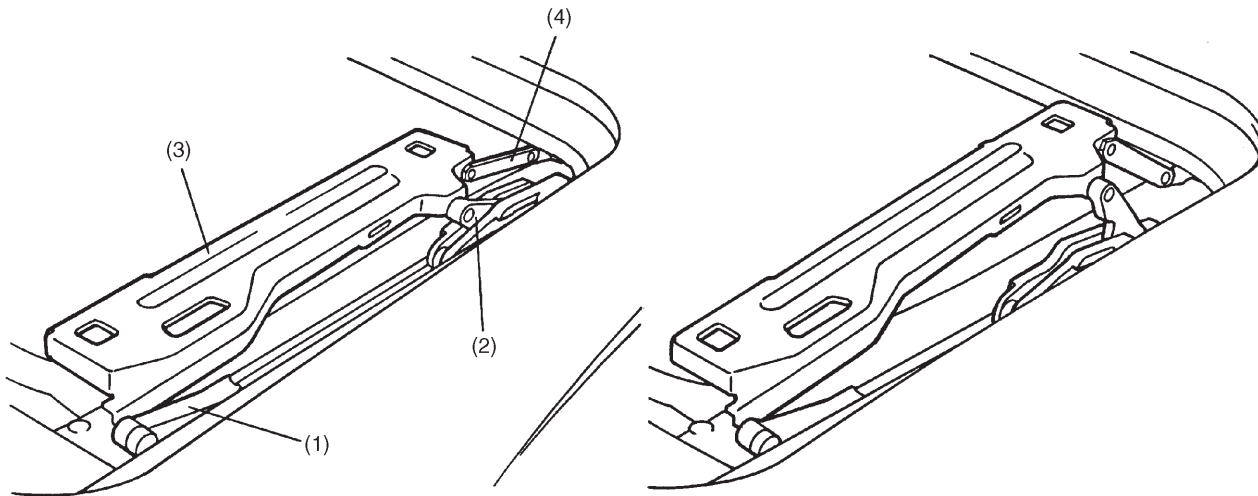
|                               |              |  |
|-------------------------------|--------------|--|
| Operation<br>(Operating time) | When opened: | Fully closed → tilted-down → Pause after tilt-down → Slide to rear in tilted-down mode → Fully open<br>(Fully closed → 0.5 – 1.5 sec → Pause after tilt-down → 4.0 – 6.5 sec → Fully open)   |
|                               | When closed: | Fully open → Slides to front in tilted-down mode → Pause with 150 mm (5.91 in) open → From tilt-down to tilt-up while sliding → Fully closed<br>(Fully open → 1.5 – 2.5 sec → Pause with 150 mm (5.91 in) open → 2.5 – 4.5 sec → Fully closed) |

#### 2. SLIDE AND TILT-UP MECHANISM

The motor installed at the front of the sunroof frame rotates the pinion gear to slide the driving wire. This will open, close, tilt up or tilt down the glass lid through the rear guide connected to the driving wire.

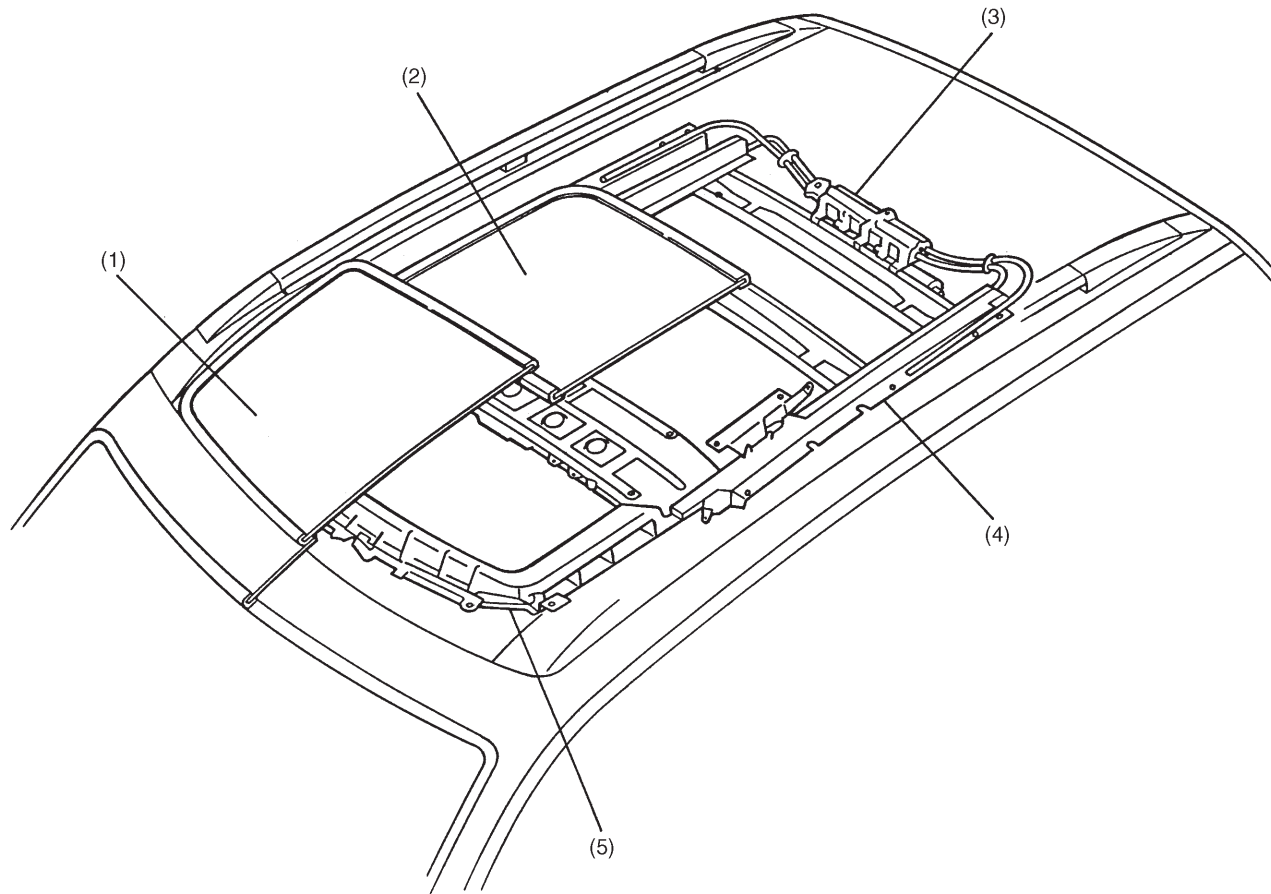
**Full closed condition**

**Tilt up condition**



B5H0839A

- (1) Front guide
- (2) Rear guide
- (3) Lid bracket
- (4) Link

**B: WAGON****1. DESCRIPTION**

B5H0629A

- (1) Front glass lid
- (2) Rear glass lid
- (3) Motor
- (4) Rear frame
- (5) Front frame

- The front sunroof is a tilt up type glass sunroof and can rise to height of 50 mm (1.97 in).
- The rear sunroof is a sliding type glass sunroof and has an opening of 340 mm (13.39 in) in length and 632 mm (24.88 in) in width.
- The sunroof consists of a 4 mm (0.16 in) thick glass lid and sunshade.

**2. FUNCTION****• OPEN / CLOSE OPERATION**

- When the sunroof is fully closed, if the sunroof switch OPEN button continues to be depressed, the rear end of the front glass lid will tilt up 50 mm (1.97 in) and then come to a stop. If the switch is kept pressed again, the rear glass lid continues to open until it reaches a point 200 mm (7.87 in) away from the front brim of the opening.

The glass lid goes to fully open position if the sunroof switch is pressed again.

- When the sunroof is fully open, if the sunroof switch CLOSE button continues to be depressed, the rear glass lid continues to close until it reaches a point still 150 mm (5.91 in) away from the front brim of the opening.

The rear glass lid goes to fully closed position if the sunroof switch is pressed again.

The sunroof switch is kept pressed again, the front glass lid goes to fully closed position.

**• SUNSHADE OPERATION**

- The front sunshade can manually be opened or closed regardless of the position of the front glass lid.
- The rear sunshade automatically opened/closed in combination with the opened/closed operation of the glass lid. When the glass lid is fully closed, the sunshade can be opened/closed manually