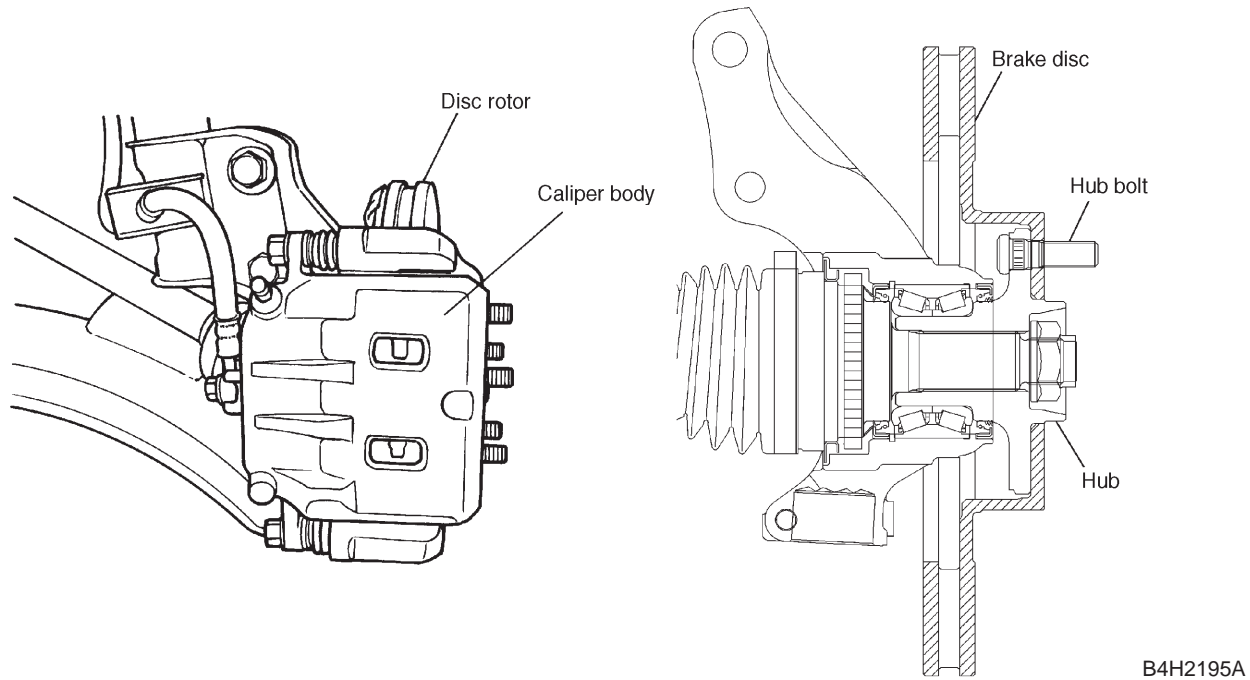


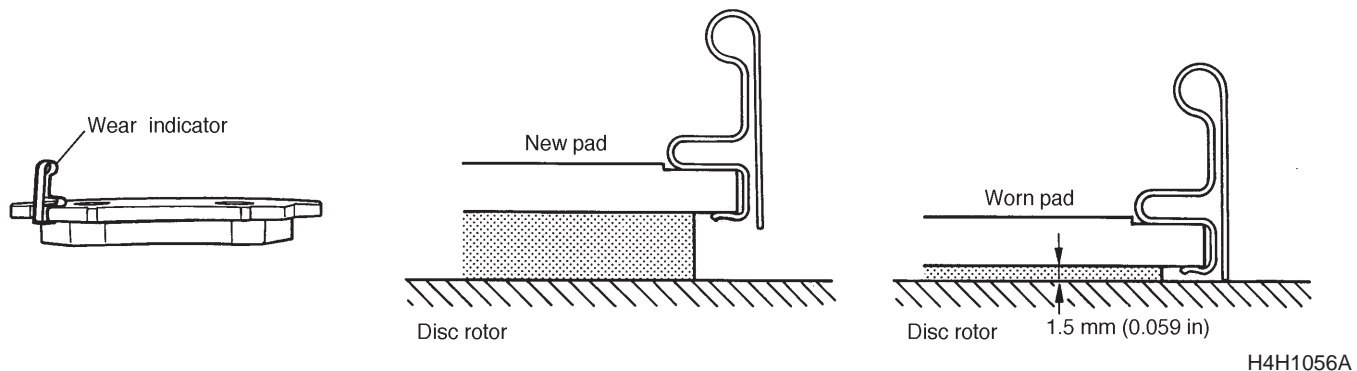
4-4 [M100]**1. Disc Brake****MECHANISM AND FUNCTION****1. Disc Brake**

- The front brakes are ventilated disc types which feature high heat dissipation and superb braking stability. In addition, the front brake quickly restores the original braking performance even when wet.
- The brake disc, which is externally mounted, is secured together with the disc wheel using the hub bolts, to facilitate removal or installation when servicing the vehicle.
- The inner brake pad is provided with an indicator which indicates pad wear limits.

**A: PAD WEAR INDICATOR**

A wear indicator is provided on the inner disc brake pads. When the pad wears down to 1.5 mm (0.059 in) the tip of the wear indicator comes into contact with the disc rotor, and makes a squeaking sound as the wheel rotates.

This indicates that the pad needs to be replaced.

**B: FRICTIONAL MATERIAL OF BRAKE PADS**

Frictional brake pad materials do not contain asbestos and are not harmful.