

2-10 [M1A0]

1. Clutch

MECHANISM AND FUNCTION

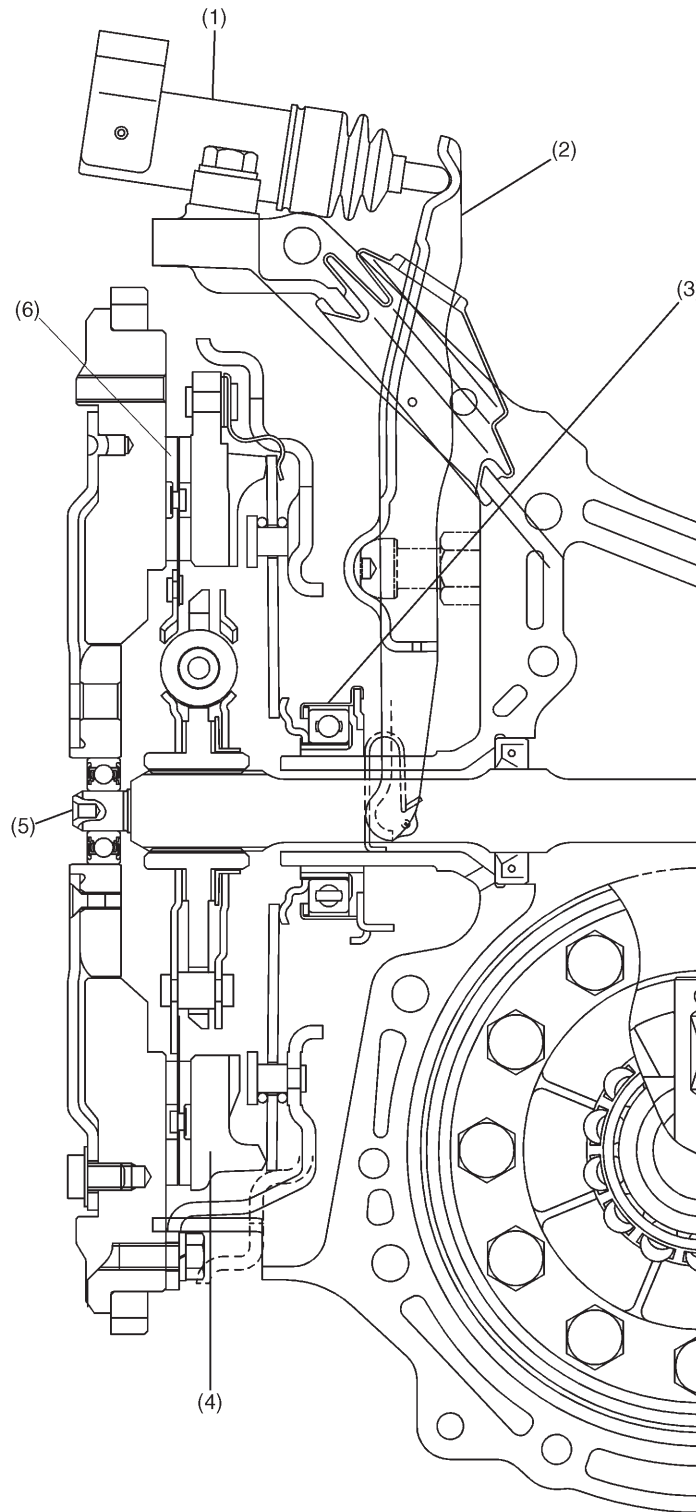
1. Clutch**A: OUTLINE**

- All models adopt a hydraulic control due to increased clutch load.
- The clutch control operates the release fork using the hydraulic pressure which the master cylinder generates by converting the pedal depressing force.
- The clutch itself is a push type clutch. When the clutch pedal is depressed, the self-aligning release bearing is caused to slide on a guide pressing the center of the diaphragm spring. The warped diaphragm spring disengages the pressure plate from the clutch disc. The clutch using a diaphragm spring has the advantage of little variation in push load even when the clutch disc facing is worn. The diaphragm spring is located inside the clutch cover.
- The clutch has a clutch disc between the flywheel and the pressure plate.
- Inside the clutch cover, there is a diaphragm spring and a pressure plate combined with each other by means of strap plates, which also serve to prevent the pressure plate from turning.

B: OPERATION

Applying foot pressure to the clutch pedal moves the release lever. This causes the release bearing to slide on the guide, pressing the diaphragm spring in the center. The spring is warped and the force having pressed the pressure plate is lost. As a result, the flywheel, clutch disc and pressure plate are disengaged, disconnecting the driving power.

The push type clutch has the point of action at the tips of the diaphragm spring fingers, through which the pressure plate is pressed to the clutch disc. When the power transmission is to be interrupted, the diaphragm spring is forced to warp using the pivots established on the inward side of the spring finger tips (on the principle of the lever and fulcrum) to disengage the pressure plate from the clutch disc.

MECHANISM AND FUNCTION**[M1C0] 2-10**
1. Clutch**C: CROSS SECTIONAL VIEW**

- (1) Operating cylinder
- (2) Release lever
- (3) Release bearing

- (4) Clutch cover
- (5) Transmission main shaft
- (6) Clutch disc

S2H0888A