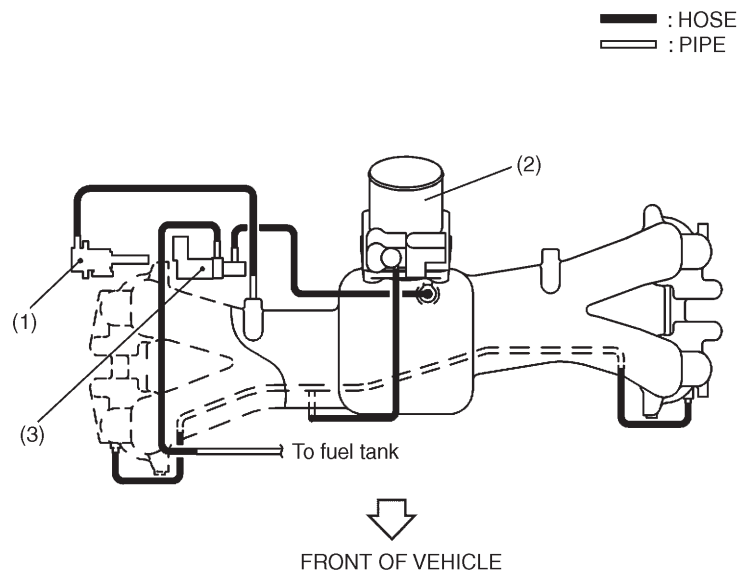


9. Vacuum Fitting

The hose and pipe connections of intake manifold, throttle body and related parts are as shown in the illustration.

A: MT VEHICLES



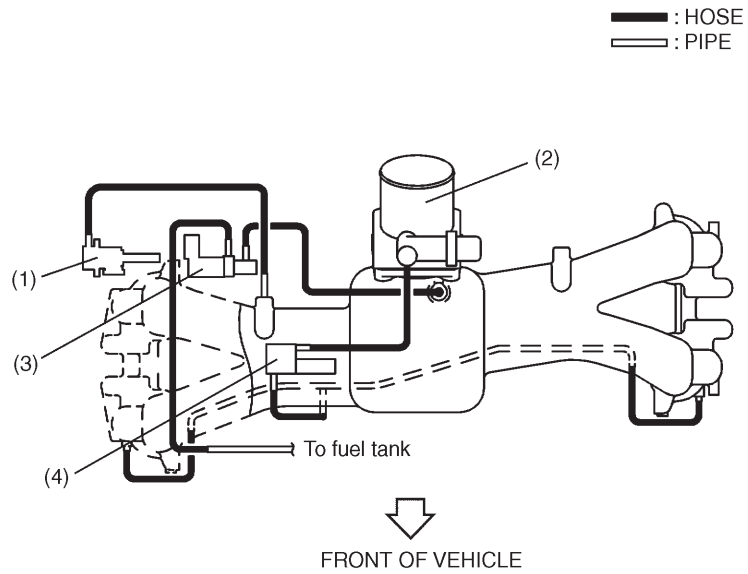
B2H3539A

- (1) Pressure regulator
- (2) Throttle body
- (3) Purge control solenoid valve

2-1 [M9B0] 9. Vacuum Fitting

MECHANISM AND FUNCTION

B: AT VEHICLES



B2H3540A

- (1) Pressure regulator
- (2) Throttle body
- (3) Purge control solenoid valve
- (4) Air assist injector solenoid valve