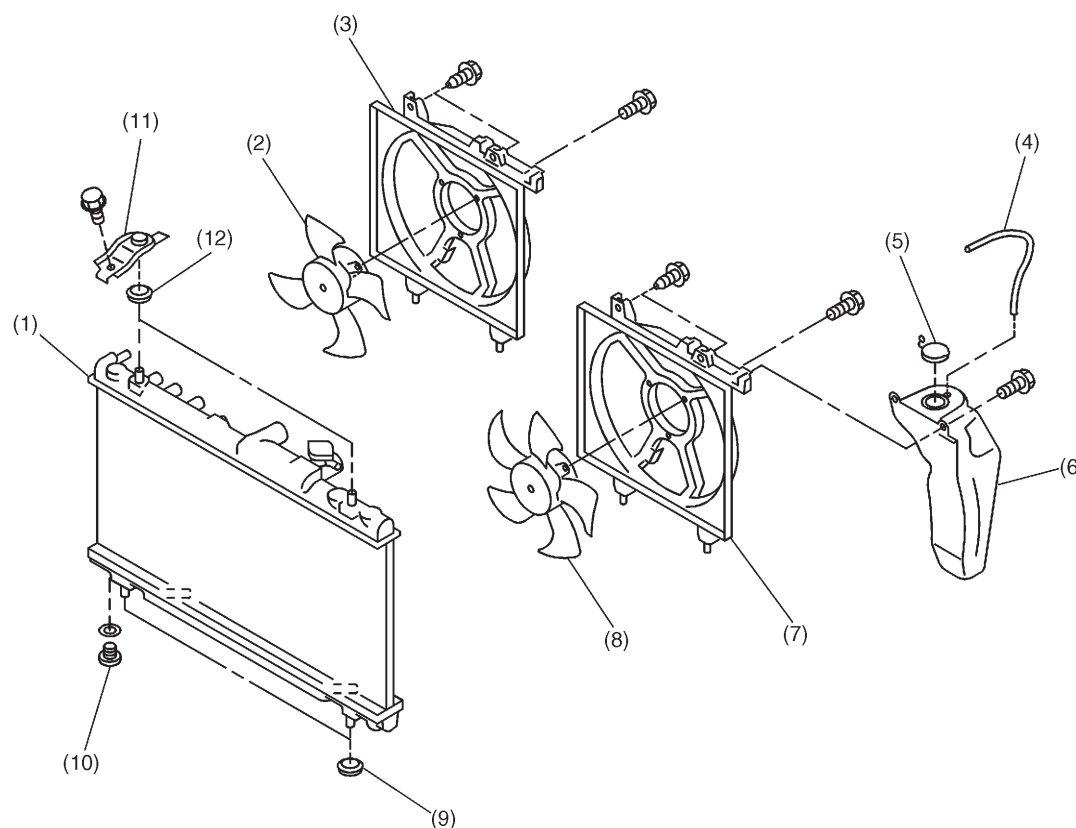


6. Radiator Fan

A: DESCRIPTION

- The radiator fan is made of plastic. That is installed to the electric motor, and is located onto radiator straight by shroud.
- The vehicle without air conditioning has the radiator main fan only. Thus, the vehicle with air conditioning has the radiator sub fan, too.



B2H2916A

- | | |
|---|---|
| (1) Radiator | (7) Radiator main fan shroud |
| (2) Radiator sub fan and sub fan motor assembly | (8) Radiator main fan and main fan motor assembly |
| (3) Radiator sub fan shroud | (9) Lower cushion |
| (4) Over flow hose | (10) Drain plug |
| (5) Reservoir tank cap | (11) Upper bracket |
| (6) Reservoir tank | (12) Upper cushion |

2-5 [M6B1]

6. Radiator Fan

MECHANISM AND FUNCTION

B: FUNCTION

1. WITHOUT A/C MODEL

The ON-OFF control of the radiator fan is governed by the ECM which receives signals sent from the engine coolant temperature sensor.

Vehicle speed	Engine coolant temperature		
	Less than 95°C (Less than 203°F)	Between 95 and 99°C (Between 203 and 210°F)	More than 100°C (More than 212°F)
	Operation of radiator main fan	Operation of radiator main fan	Operation of radiator main fan
Less than 19 km/h (Less than 12 MPH)	OFF	ON	ON
Between 20 and 69 km/h (Between 12 and 43 MPH)	OFF	ON	ON
Between 70 and 89 km/h (Between 43 and 55 MPH)	OFF	OFF	ON
More than 90 km/h (More than 56 MPH)	OFF	OFF	ON

2. WITH A/C MODEL

On models which are equipped with an air conditioning system, the ECM receives signals sent from the engine coolant temperature sensor, vehicle speed sensor 2 and A/C switch. These signals simultaneously turn ON or OFF the radiator main fan and radiator sub fan.

Vehicle speed	A/C compressor	Engine coolant temperature					
		Less than 95°C (Less than 203°F)		Between 95 and 99°C (Between 203 and 210°F)		More than 100°C (More than 212°F)	
		Operation of radiator fan		Operation of radiator fan		Operation of radiator fan	
		Main	Sub	Main	Sub	Main	Sub
Less than 19 km/h (Less than 12 MPH)	OFF	OFF	OFF	ON	OFF	ON	ON
	ON	ON	ON	ON	ON	ON	ON
Between 20 and 69 km/h (Between 12 and 43 MPH)	OFF	OFF	OFF	ON	OFF	ON	ON
	ON	ON	ON	ON	ON	ON	ON
Between 70 and 89 km/h (Between 43 and 55 MPH)	OFF	OFF	OFF	OFF	OFF	ON	ON
	ON	ON	OFF	ON	ON	ON	ON
More than 90 km/h (More than 56 MPH)	OFF	OFF	OFF	OFF	OFF	ON	ON
	ON	OFF	OFF	ON	OFF	ON	ON