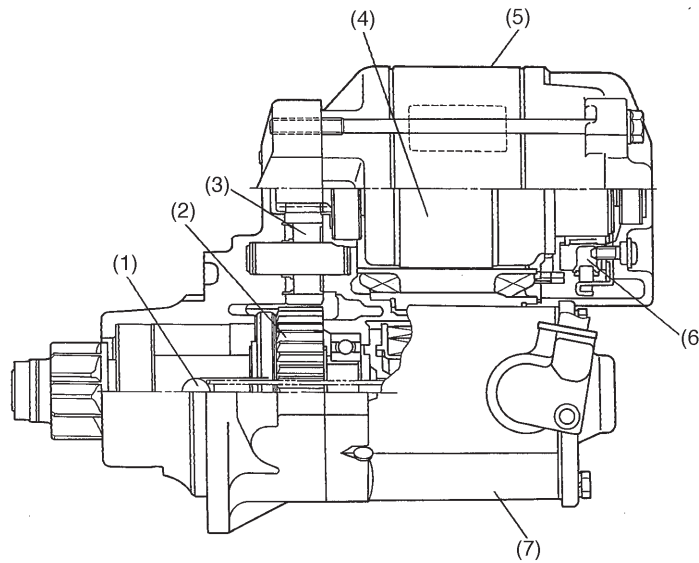
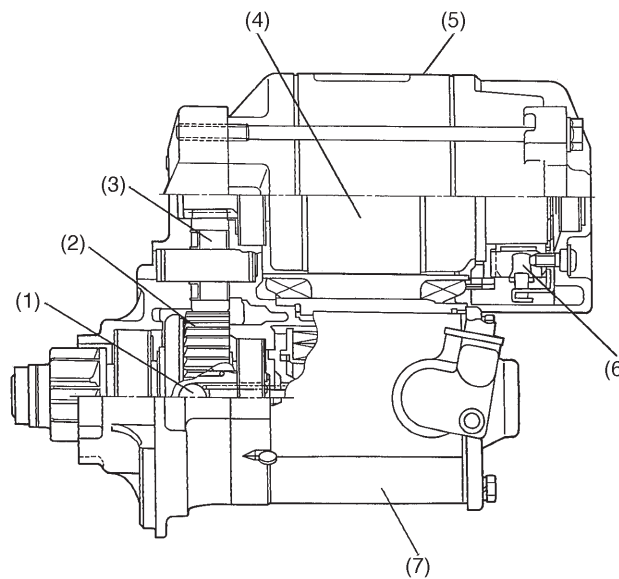


6-1 [M100]**1. Starter****MECHANISM AND FUNCTION****1. Starter**

The starter is of reduction type. Its output is 1.0 kW on the MT model and 1.4 kW on the AT model.

A: MT VEHICLES

B6H0326C

B: AT VEHICLES

B6H0327C

- (1) Steel ball
- (2) Over running clutch
- (3) Retainer
- (4) Armature

- (5) Yoke
- (6) Brush holder
- (7) Magnet switch