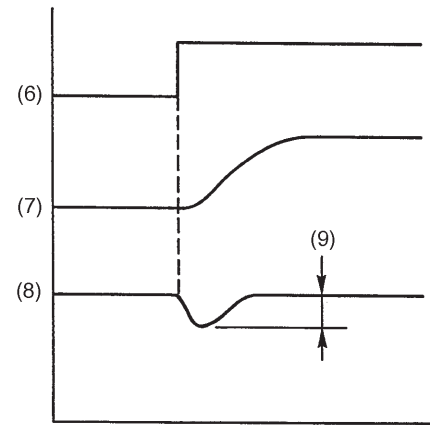
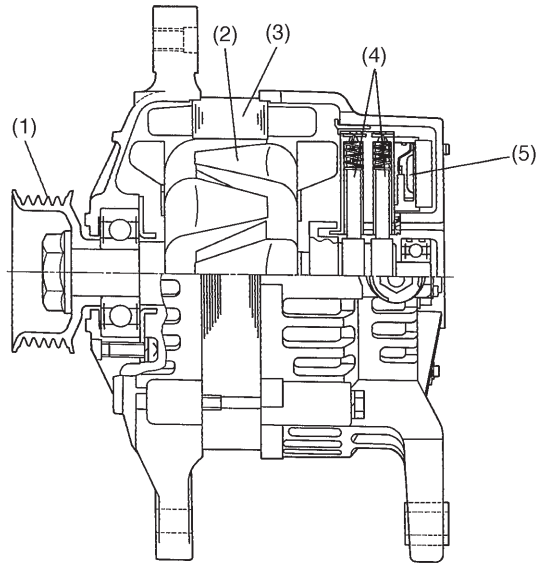


2. Generator

The generator incorporates an IC regulator which features a "load response control". The load response control circuit function to gradually increase the generator output when an additional electric load such as headlights or blower fan is applied to the engine in the idling state. This prevents a sharp drop in engine idling speed and ensures an improved comfort while the engine is idling.



B6H0328B

- | | |
|------------------|-----------------------|
| (1) Pulley | (6) Electric load |
| (2) Rotor | (7) Alternator output |
| (3) Stator coil | (8) Engine idle speed |
| (4) Brush | (9) Amplitude |
| (5) IC regulator | |