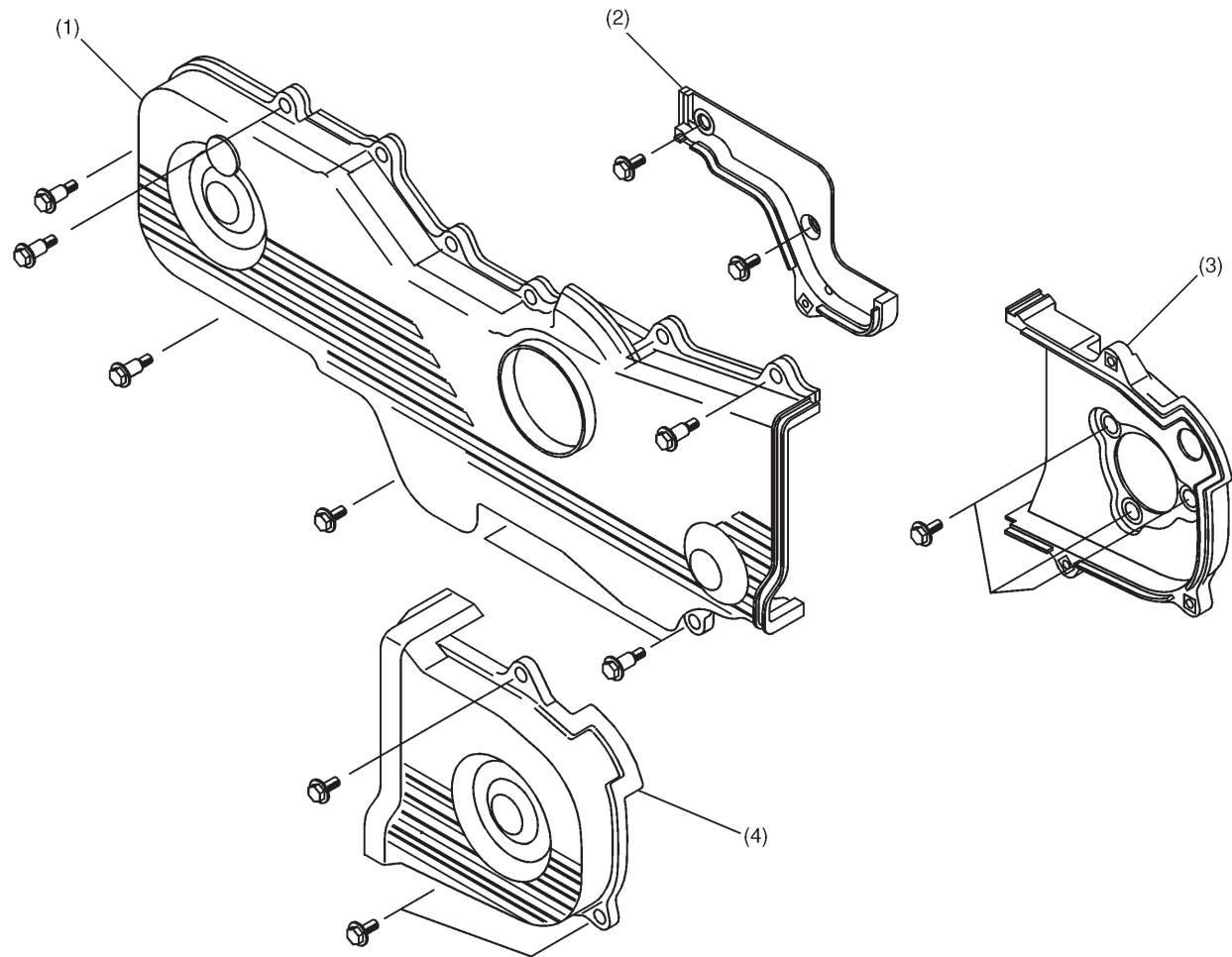


4. Belt Cover

- The belt cover is made of synthetic resin molding which is lightweight and heat resistant. It has a totally enclosed design that utilizes rubber packing at the mating surface of the cylinder block. This eliminates the chance of dust and liquid from entering the interior.
- A floating design is utilized by placing rubber mounting between the cylinder block and belt cover to prevent the noise and vibration of transmission.
- The front belt cover has a graduated line for ignition-timing confirmation.



B2H1985A

- (1) Front belt cover
- (2) Belt cover No. 2 (RH)
- (3) Belt cover No. 2 (LH)
- (4) Belt cover (LH)