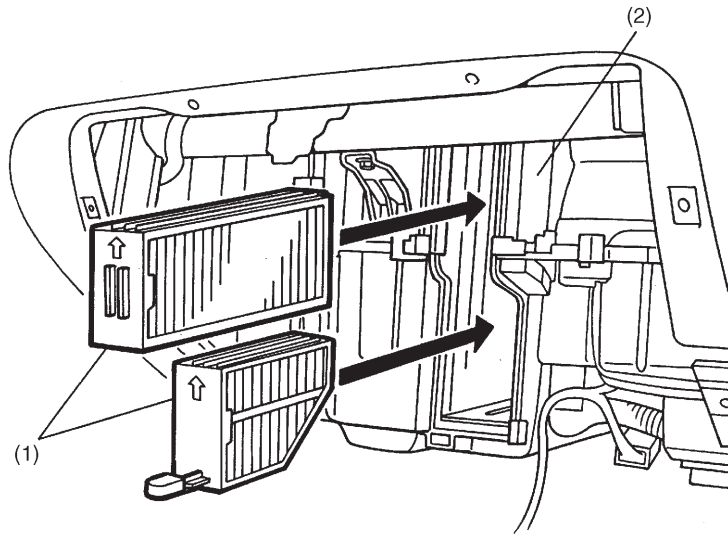


7. Filter

In the cooling unit, a filter is provided in front of the evaporator inlet (optional). It is possible that the air conditioner fails to exhibit its full performance if the filter is clogged with dust and dirt in the outside air. Be sure to replace the filter with a new one at the specified interval.



- (1) Filter
- (2) Cooling unit

B4H2191A

4-6

MECHANISM AND FUNCTION

MEMO