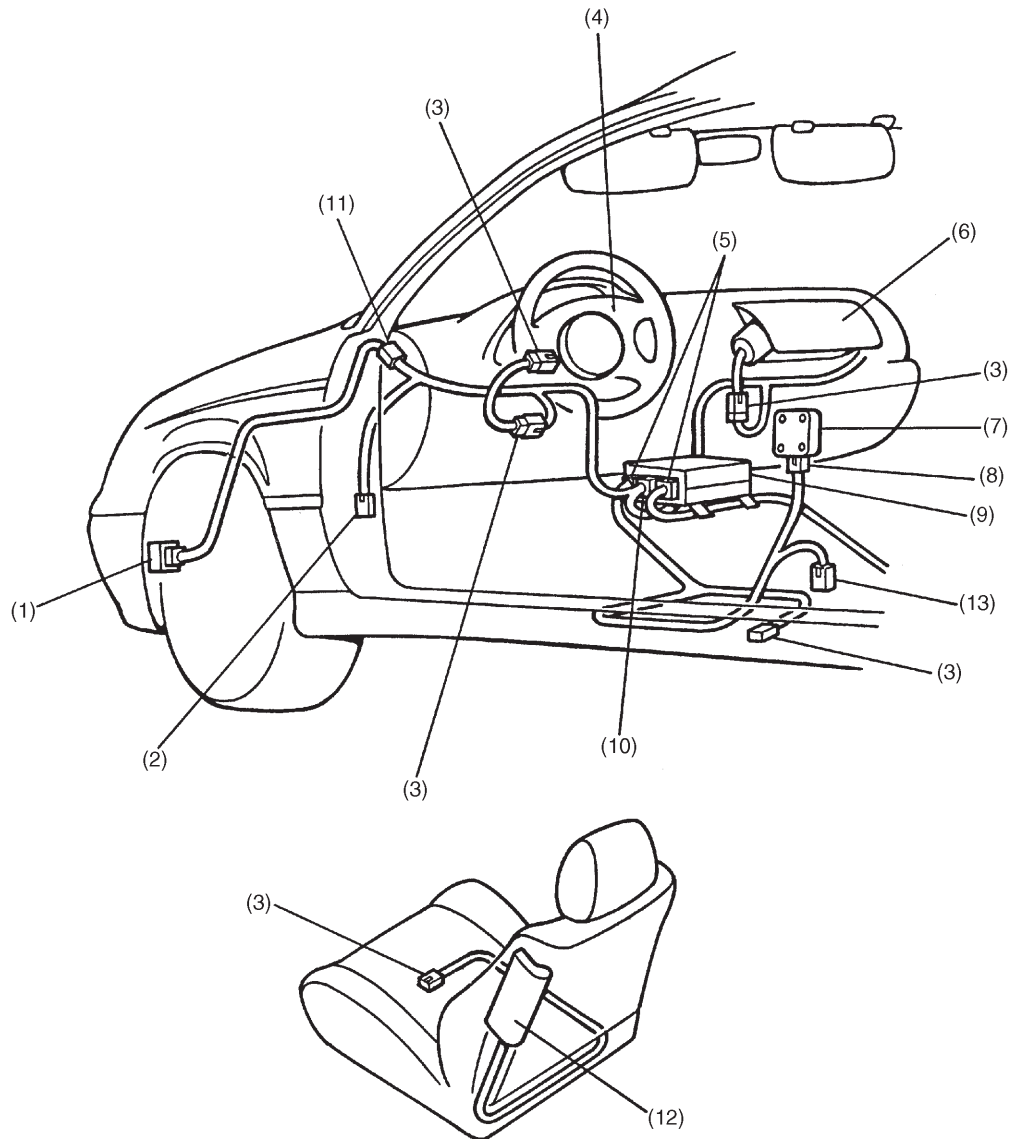


5-5 [M1A0] 1. SRS Airbag System

MECHANISM AND FUNCTION

1. SRS Airbag System

A: INSTALLATION



- | | |
|---------------------------------|---|
| (1) Front sub sensor | (8) 4 poles connector (Yellow) |
| (2) 7 poles connector (Yellow) | (9) Airbag control module |
| (3) 2 poles connector (Yellow) | (10) 28 poles connector (Yellow) |
| (4) Airbag module (Driver) | (11) 2 poles connector (Blue) |
| (5) 12 poles connector (Yellow) | (12) Airbag module (Side) |
| (6) Airbag module (Passenger) | (13) 2 poles connector (Yellow) (To pretensioner seat belt) |
| (7) Side airbag sensor | |

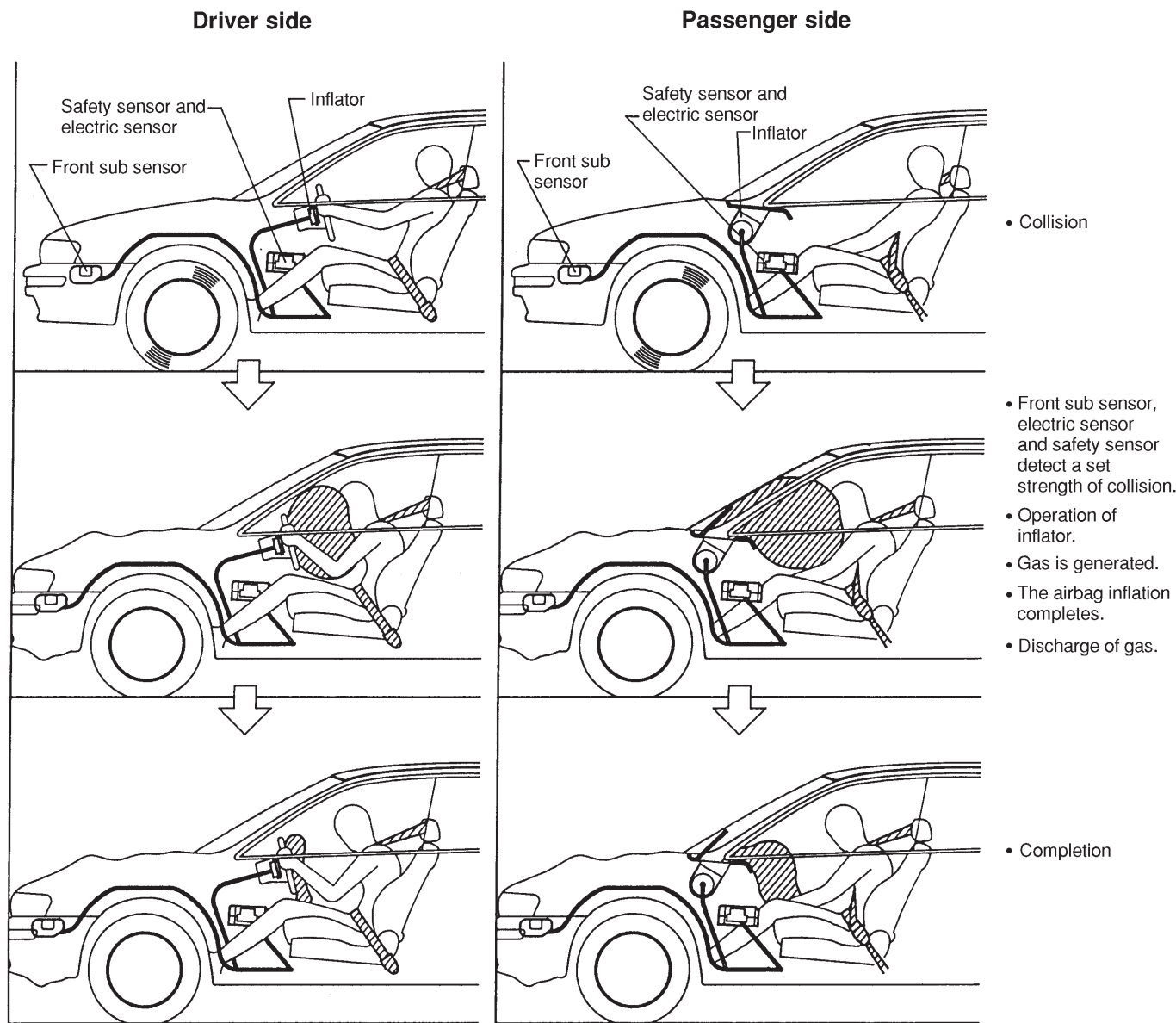
B5H0840A

MECHANISM AND FUNCTION

B: FUNCTION

1. FRONT AIRBAG

The SRS airbag is provided as an auxiliary driver and passenger front seat restraint system to be used in combination with the seat belt. When an impact greater than a set level is applied to the front of the vehicle, the sensor senses it and generates an electrical pulse to inflate the bag in the airbag module, thus preventing the upper bodies of the driver and passenger in the front seat from impacting the steering wheel, instrument panel and windshield.



B5H0504A

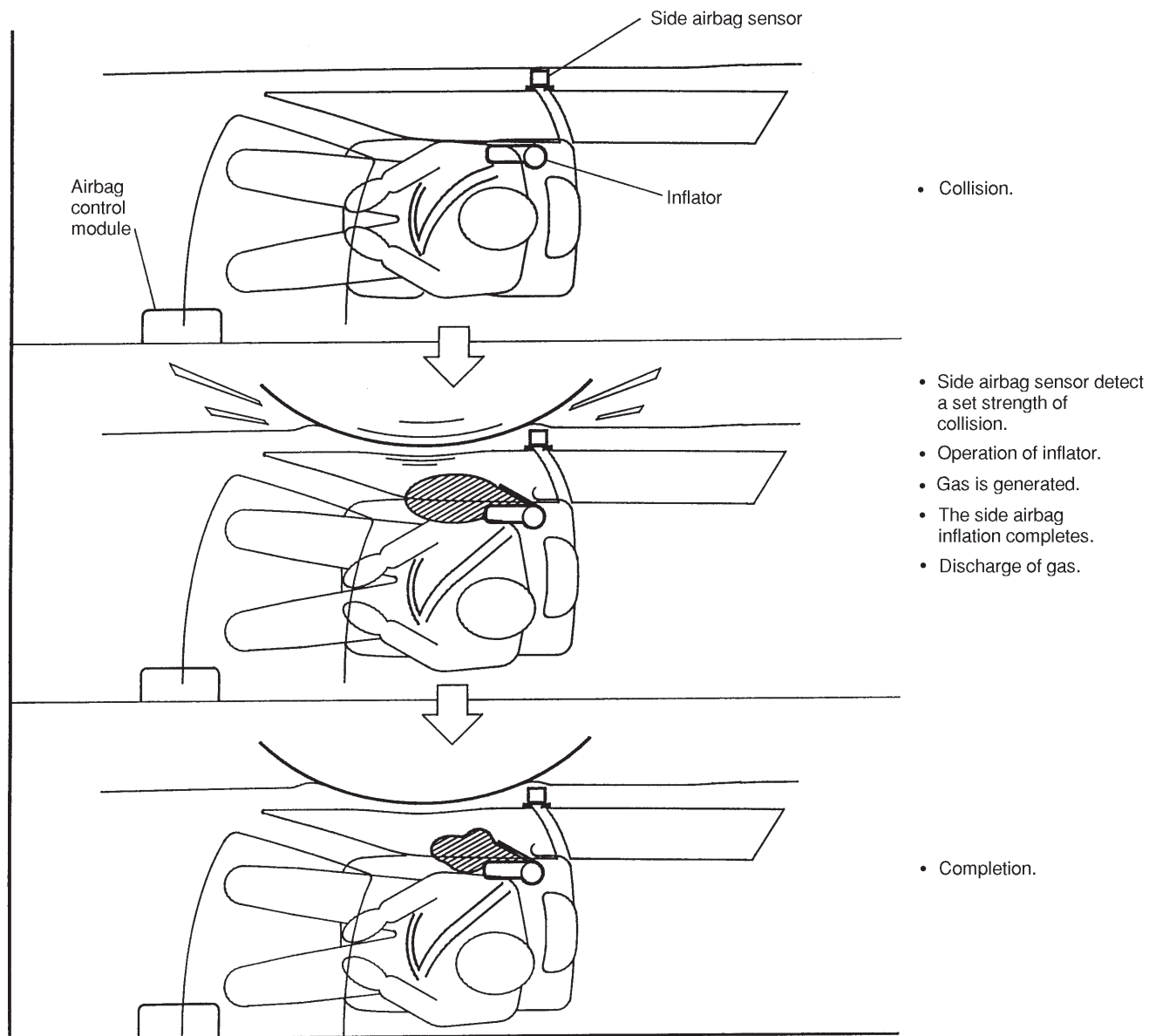
5-5 [M1B2]

1. SRS Airbag System

MECHANISM AND FUNCTION

2. SIDE AIRBAG

The SRS side airbag is provided as an auxiliary driver and passenger front seat restraint system to be used in combination with the seat belt. When an impact greater than a set level is applied to the side of the vehicle, the side airbag sensor senses it and send the ignition permit signal to airbag control module, then inflated the side airbag module, thus preventing the outside upper bodies (chest area) of the driver and passenger in the front seat from impacting the front door.



B5H0505A