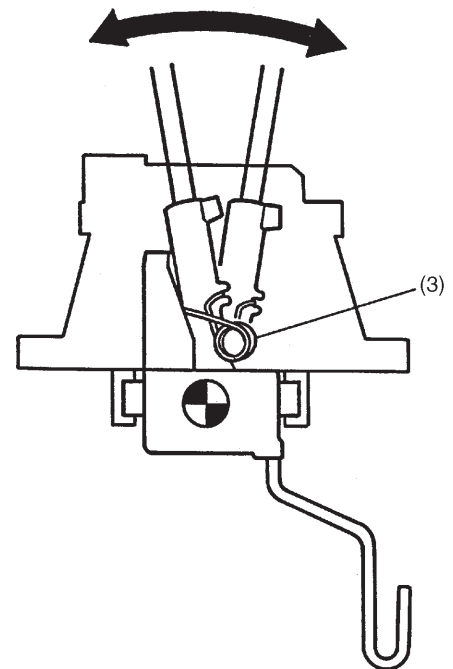
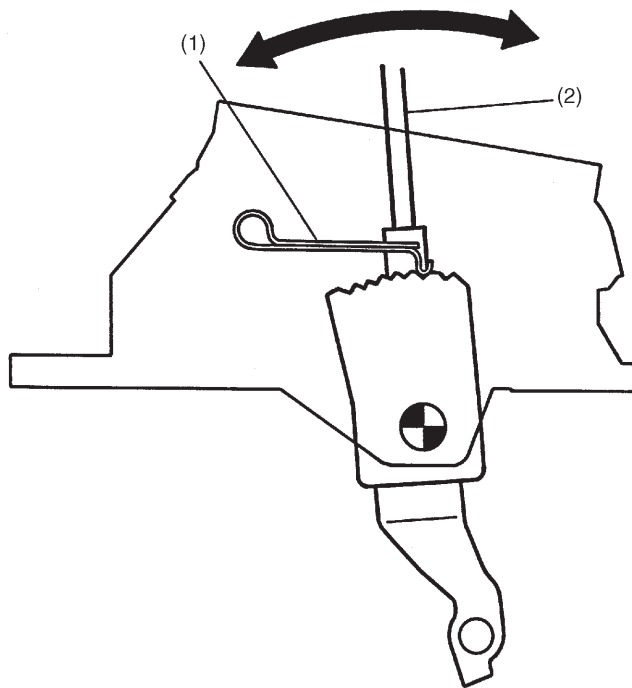


## 2. Select Lever

- The selector lever moves through seven positions.
- The selector lever makes movements in a shift direction (longitudinally) as well as movements in a select direction (laterally). These movements are directly restricted by the gate.
- For connecting the selector lever and the transmission, a push-pull cable is employed.
- The newly installed detent spring ensures more punctual selector lever operation.
- For base plate, a plastic one is used.



B3H1752A

- (1) Detent spring
- (2) Lever
- (3) Lateral spring