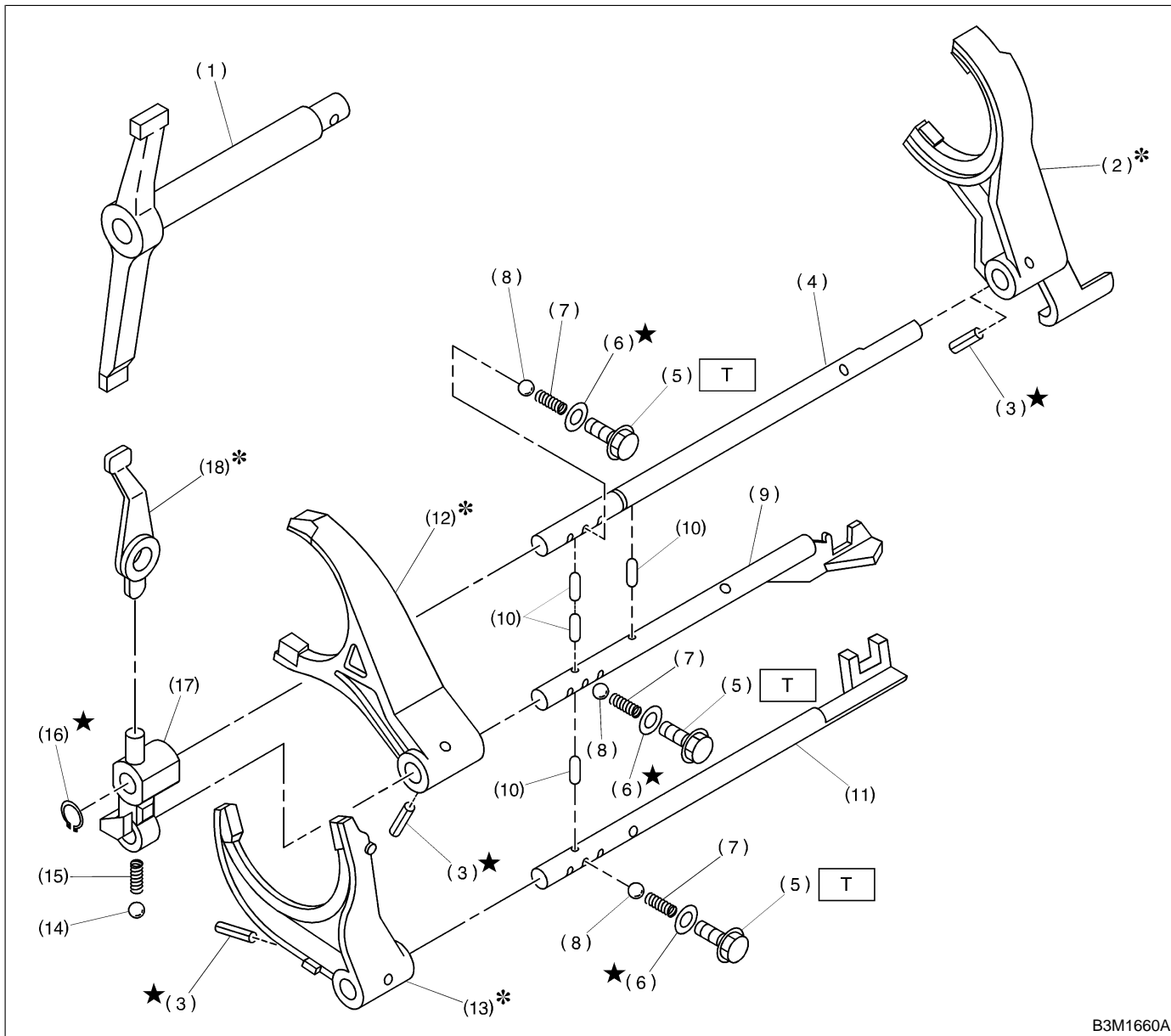


4. Shifter Fork and Shifter Rod



B3M1660A

- |                          |                           |                            |
|--------------------------|---------------------------|----------------------------|
| (1) Shifter arm          | (9) 3rd-4th fork rod      | (17) Reverse fork rod arm  |
| (2) 5th shifter fork     | (10) Interlock plunger    | (18) Reverse shifter lever |
| (3) Straight pin         | (11) 1st-2nd fork rod     |                            |
| (4) Reverse fork rod     | (12) 3rd-4th shifter fork |                            |
| (5) Checking ball plug   | (13) 1st-2nd shifter fork |                            |
| (6) Gasket               | (14) Ball                 |                            |
| (7) Checking ball spring | (15) Spring               |                            |
| (8) Ball                 | (16) Snap ring (Outer)    |                            |

**Tightening torque: N·m (kg·m, ft·lb)**  
**T: 19.6±1.5 (2.00±0.15, 14.5±1.1)**