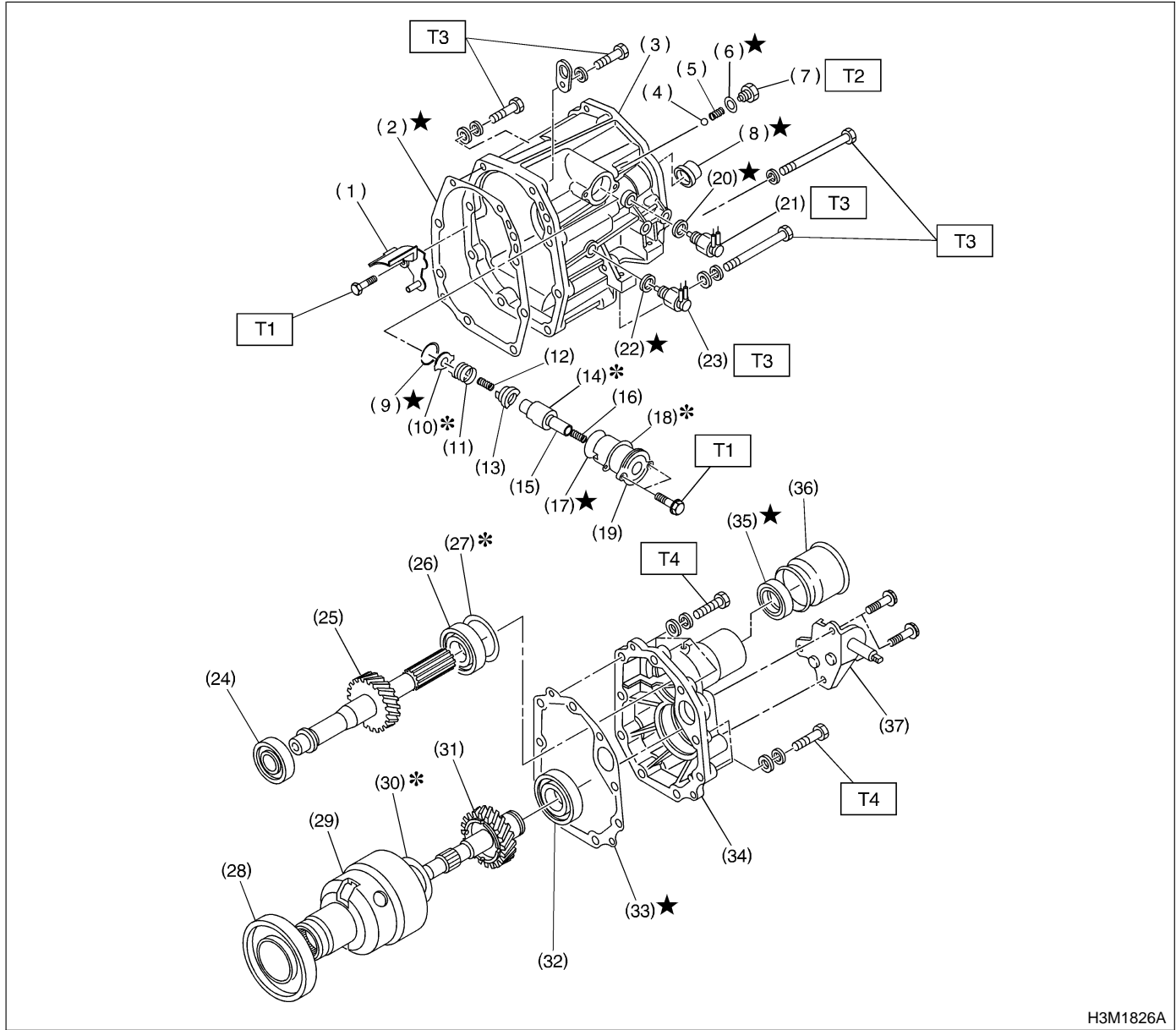


5. Transfer Case and Extension



H3M1826A

- | | | |
|----------------------------|----------------------------|--------------------------|
| (1) Oil guide | (16) Return spring | (31) Transfer drive gear |
| (2) Gasket | (17) O-ring | (32) Ball bearing |
| (3) Transfer case | (18) Adjusting select shim | (33) Gasket |
| (4) Ball | (19) Reverse check sleeve | (34) Extension |
| (5) Reverse accent spring | (20) Gasket | (35) Oil seal |
| (6) Gasket | (21) Neutral switch | (36) Dust cover |
| (7) Plug | (22) Gasket | (37) Shift bracket |
| (8) Oil seal | (23) Back-up light switch | |
| (9) Snap ring (Inner) | (24) Ball bearing | |
| (10) Reverse check plate | (25) Transfer driven gear | |
| (11) Reverse check spring | (26) Ball bearing | |
| (12) Reverse return spring | (27) Adjusting washer | |
| (13) Reverse check cam | (28) Ball bearing | |
| (14) Reverse accent shaft | (29) Center differential | |
| (15) Return spring cap | (30) Adjusting washer | |

Tightening torque: N-m (kg-m, ft-lb)

T1: 5±1 (0.5±0.1, 3.6±0.7)

T2: 10±1 (1.0±0.1, 7.2±0.7)

T3: 25±2 (2.5±0.2, 18.1±1.4)

T4: 37±3 (3.8±0.3, 27.5±2.2)