

6. Front Differential

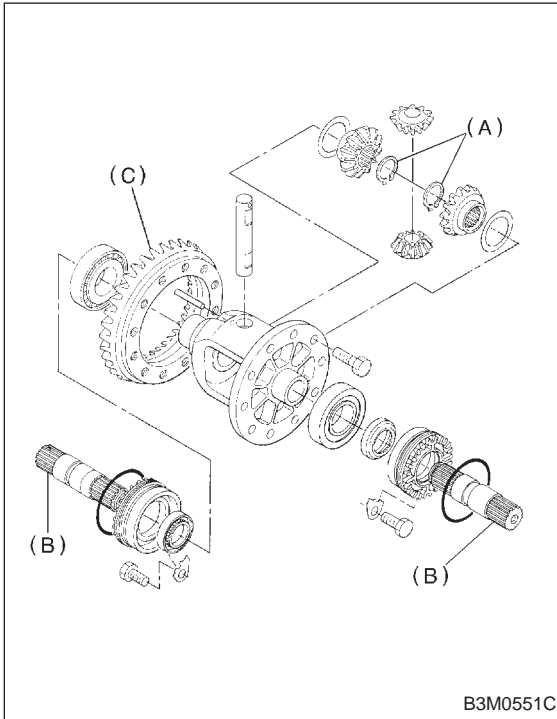
A: DISASSEMBLY

1) Remove right and left snap rings from differential, and then remove two axle drive shafts.

NOTE:

During reassembly, reinstall each axle drive shaft in the same place from which it was removed.

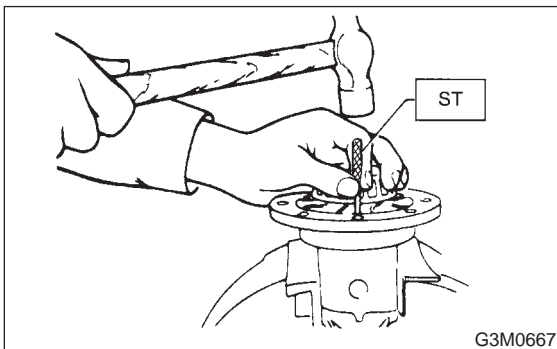
2) Loosen twelve bolts and remove hypoid driven gear.



- (A) Snap ring
- (B) Axle drive shaft
- (C) Hypoid driven gear

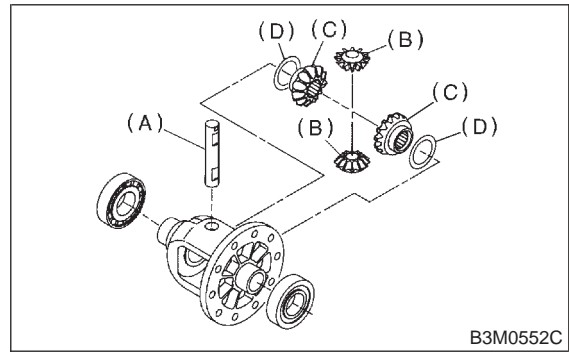
3) Drive out straight pin from differential assembly toward hypoid driven gear.

ST 899904100 REMOVER



G3M0667

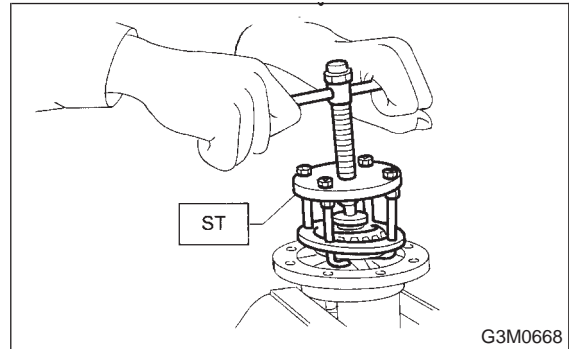
4) Pull out pinion shaft, and remove differential bevel pinion and gear and washer.



B3M0552C

- (A) Pinion shaft
- (B) Bevel pinion
- (C) Bevel gear
- (D) Washer

5) Remove roller bearing using ST.
ST 399527700 PULLER SET



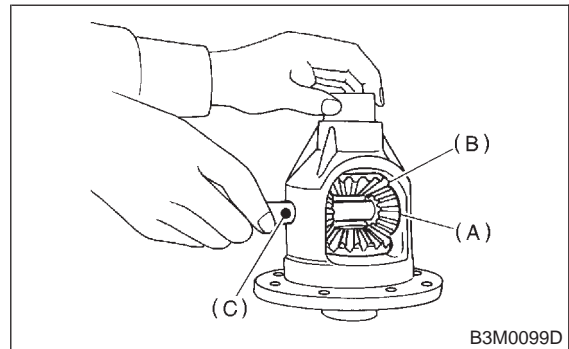
G3M0668

B: ASSEMBLY

1) Install bevel gear and bevel pinion together with washers, and insert pinion shaft.

NOTE:

Face the chamfered side of washer toward gear.



B3M0099D

- (A) Bevel pinion
- (B) Bevel gear
- (C) Pinion shaft

2) Measure backlash between bevel gear and pinion. If it is not within specifications, install a suitable washer to adjust it.

NOTE:

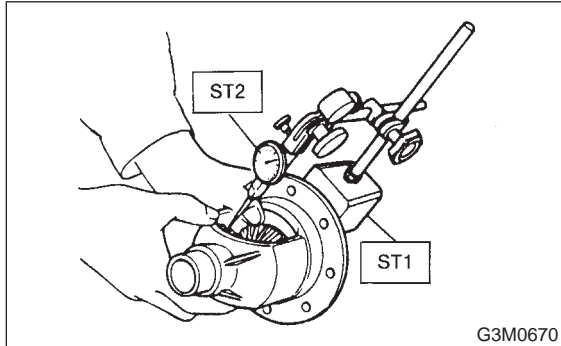
Be sure the pinion gear tooth contacts adjacent gear teeth during measurement.

ST1 498247001 MAGNET BASE

ST2 498247100 DIAL GAUGE

Standard backlash:

0.13 — 0.18 mm (0.0051 — 0.0071 in)



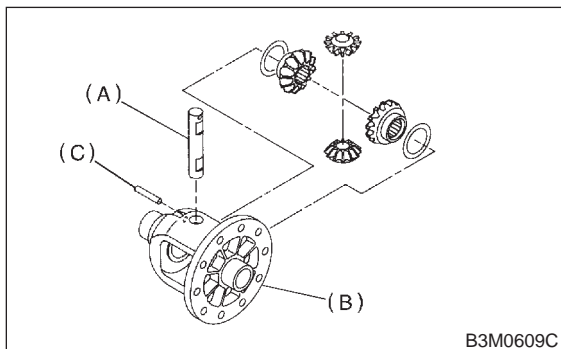
Washer (38.1 × 50 × t)	
Part No.	Thickness mm (in)
803038021	0.925 — 0.950 (0.0364 — 0.0374)
803038022	0.975 — 1.000 (0.0384 — 0.0394)
803038023	1.025 — 1.050 (0.0404 — 0.0413)

3) Align pinion shaft and differential case at their holes, and drive straight pin into holes from the hypoid driven gear side, using ST.

NOTE:

Lock straight pin after installing.

ST 899904100 REMOVER



- (A) Pinion shaft
- (B) Differential case
- (C) Straight pin

4) Install roller bearing (40 × 80 × 19.75) to differential case.

CAUTION:

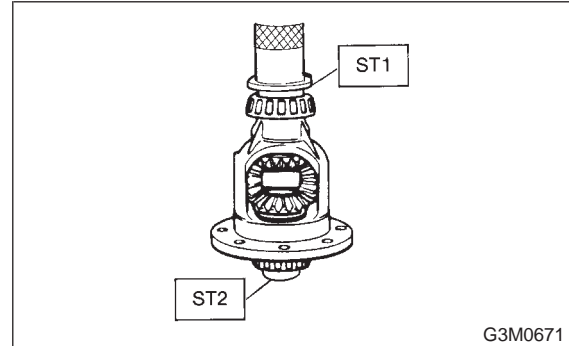
Do not apply pressure in excess of 10 kN (1 ton, 1.1 US ton, 1.0 Imp ton).

NOTE:

Be careful because roller bearing outer races are used as a set.

ST1 499277100 BUSH 1-2 INSTALLER

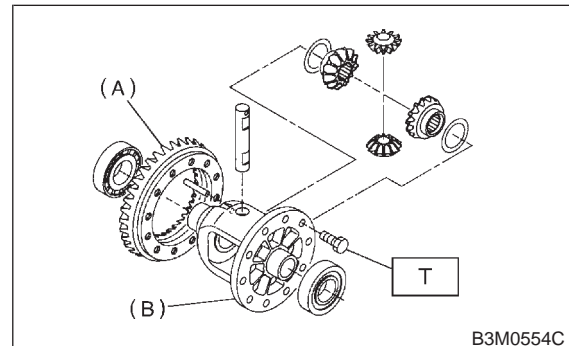
ST2 398497701 ADAPTER



5) Install hypoid driven gear to differential case using twelve bolts.

Tightening torque:

T: 62±5 N·m (6.3±0.5 kg·m, 45.6±3.6 ft-lb)



- (A) Hypoid driven gear
- (B) Differential case