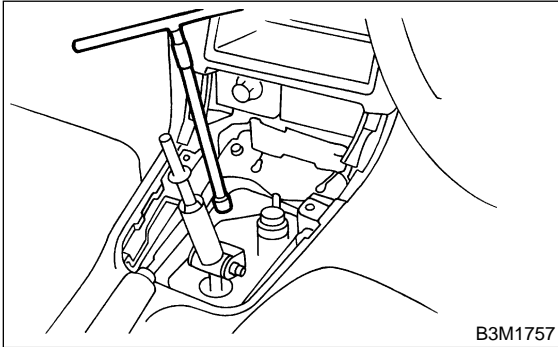


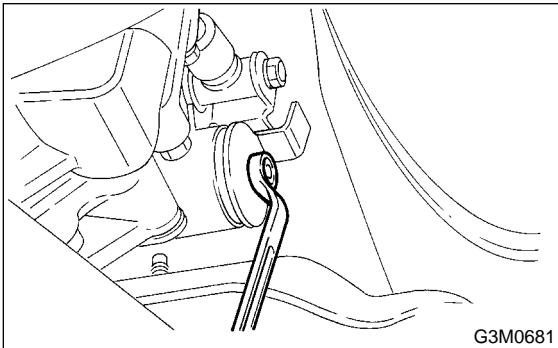
## 1. Gear Shift Lever

### A: REMOVAL

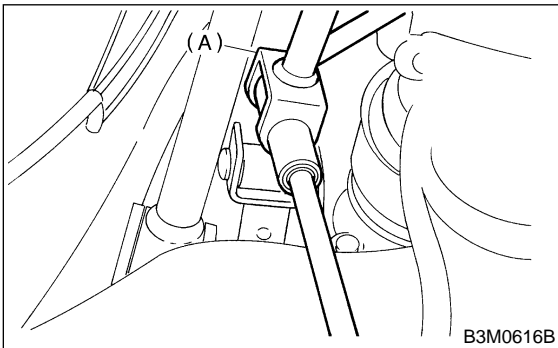
- 1) Remove console box. <Ref. to 5-4 [W1A0].>
- 2) Remove plate from the body.



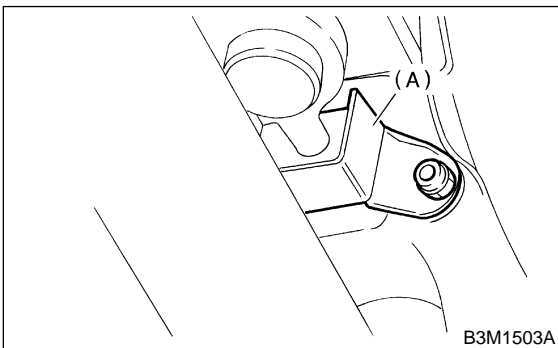
- 3) Remove stay from bracket.



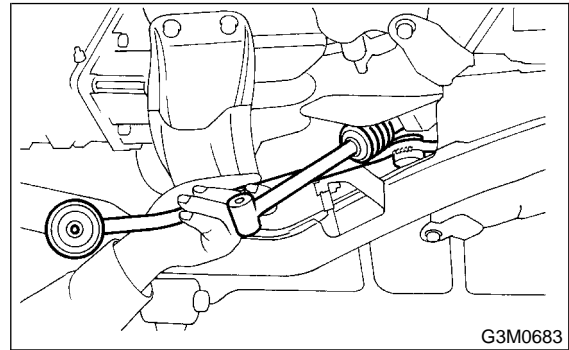
- 4) Remove rod (A) from joint.



- 5) Remove the exhaust cover and remove cushion rubber (A) from the body.

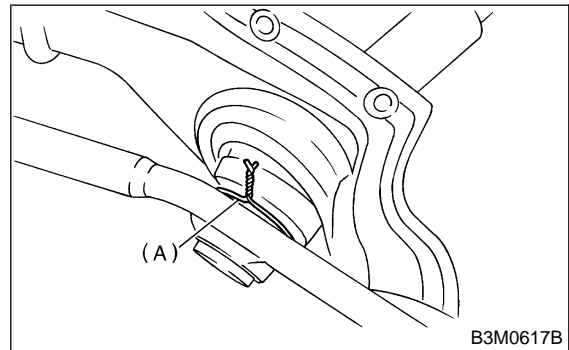


- 6) Remove gear shift lever.

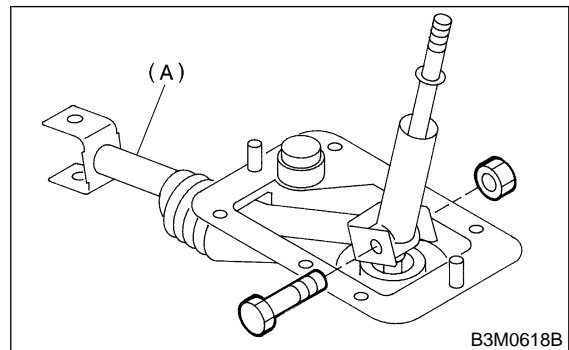


### B: DISASSEMBLY

- 1) Disconnect locking wire (A).

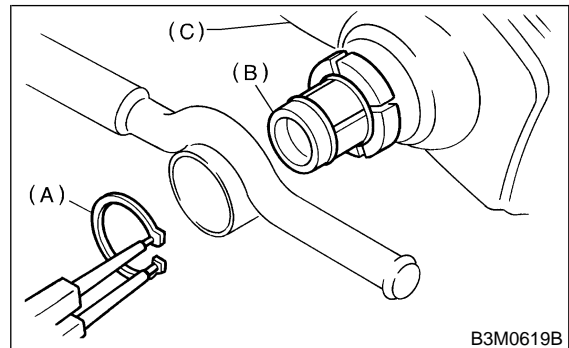


- 2) Remove rod (A) from lever.

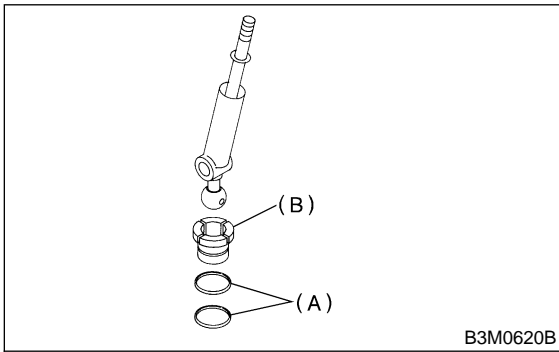


- 3) Remove snap ring (A) from bush (B), then disconnect lever from stay.

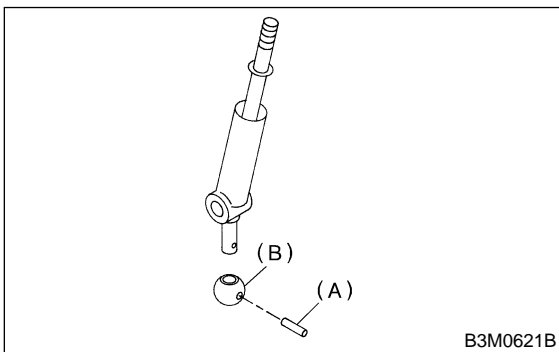
- 4) Remove boot (C) from lever.



5) Remove O-ring (A), then disconnect bush (Stay rear) (B).

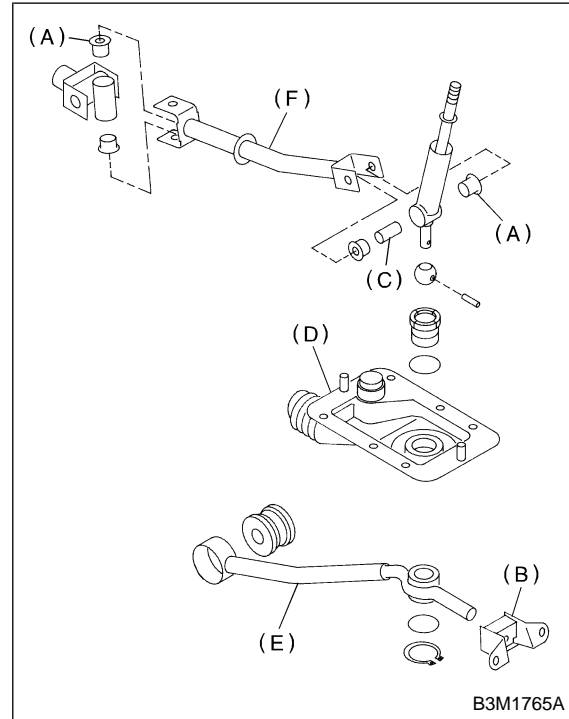


6) Draw out spring pin (A), then remove bush (Shift lever) (B) from lever.



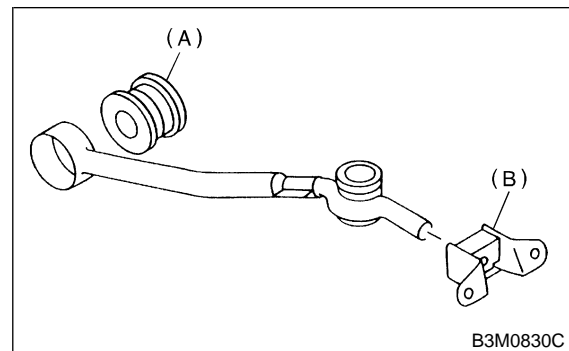
**C: INSPECTION**

Check each parts (Bush (A), cushion (B), spacer (C), boot (D), stay (E) and rod (F) etc.) for deformation, damage and wear. Repair or replace any defective parts. Determine defective parts by comparing with new parts.



**D: ASSEMBLY**

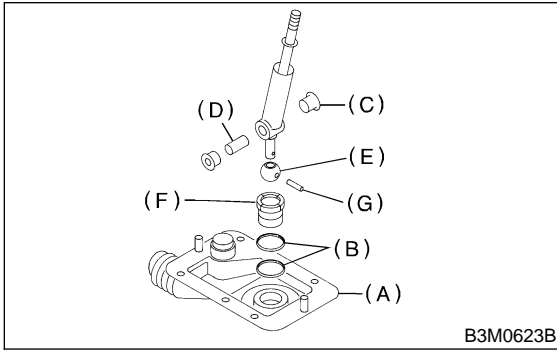
- 1) Clean all parts before assembly.
- 2) Mount the bush (Stay front) (A) and cushion rubber (B) on the stay.



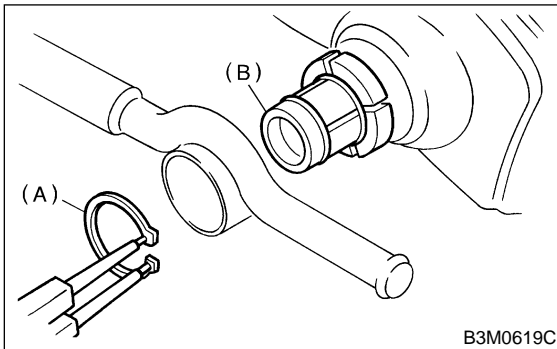
3) Mount each parts (Boot (A), O-ring (B), bush (C), spacer (D), bush (Shift lever) (E), bush (Stay rear) (F) and spring pin (G)) on the lever.

**CAUTION:**

- Always use new O-rings.
- Apply grease [MULTEMP AC-D or equivalent] to the inner and side surfaces of the bush when installing spacer.



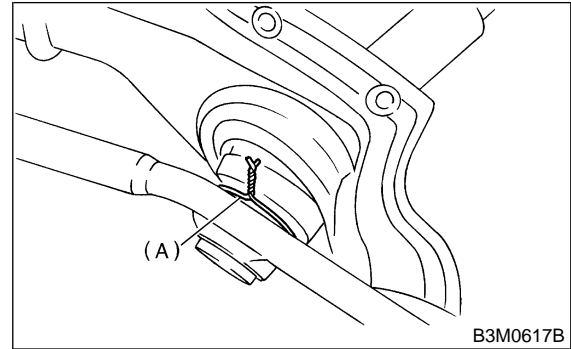
- 4) Insert the lever into the boot hole.
- 5) Mount lever on the stay.
- 6) Install snap ring (A) to the bottom of the bush (Stay rear) (B).



7) Tighten with locking wire (A) to the extent that the boot will not come off.

**CAUTION:**

**Always use new locking wire.**



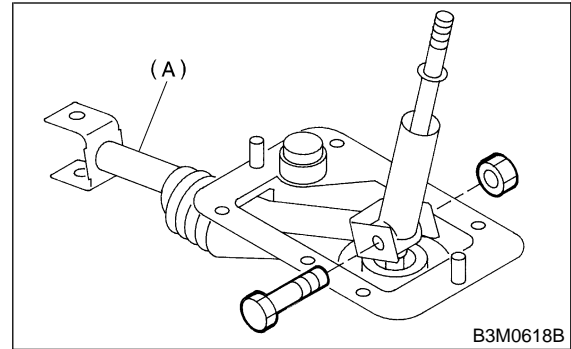
- 8) Insert the rod into the boot hole.
- 9) Connect rod (A) to lever.

**Tightening torque:**

**12±3 N·m (1.2±0.3 kg-m, 8.7±2.2 ft-lb)**

**Rocking torque:**

**0.7 N·m (0.07 kg-m, 0.5 ft-lb) or less**



10) Check that there is no excessive play and that parts move smoothly.

**E: INSTALLATION**

- 1) Put into gear shift lever from passenger compartment.
- 2) Mount plate on the body.
- 3) Install console box and gear shift knob. <Ref. to 5-4 [W1B0].>

