

Specifications

Specifications	12-2
Dimensions	12-2
Engine	12-3
Electrical system	12-3
Capacities	12-4
Tires	12-4
Wheel alignment	12-5
Fuses and circuits	12-6
Fuse panel located behind the coin tray	12-6
Fuse panel located in the engine compartment	12-10
Bulb chart	12-14
Vehicle identification	12-15

Specifications

These specifications are subject to change without notice.

■ Dimensions

Legacy sedan

Overall length	184.4 in (4,685 mm)
Overall width	68.7 in (1,745 mm)
Overall height	55.7 in (1,415 mm)
Ground clearance	6.1 in (155 mm)
Front tread	57.5 in (1,460 mm)
Rear tread	57.5 in (1,460 mm)
Wheelbase	104.3 in (2,650 mm)

Legacy station wagon

Overall length	187.4 in (4,760 mm)
Overall width	68.7 in (1,745 mm)
Overall height	56.6 in (1,435 mm)
	59.6 in (1,525 mm)*
Ground clearance	6.3 in (160 mm)
Front tread	57.5 in (1,460 mm)
Rear tread	57.3 in (1,455 mm)
Wheelbase	104.3 in (2,650 mm)

*: With roof rail

OUTBACK sedan

Overall length	184.4 in (4,685 mm)
Overall width	68.7 in (1,745 mm)
Overall height	58.3 in (1,480 mm)
Ground clearance	7.3 in (185 mm)
Front tread	57.9 in (1,470 mm)
Rear tread	57.7 in (1,465 mm)
Wheelbase	104.3 in (2,650 mm)

OUTBACK station wagon

Overall length	187.4 in (4,760 mm)
Overall width	68.7 in (1,745 mm)

Overall height	62.2 in (1,580 mm)
Ground clearance	
2.5 liter models	7.3 in (185 mm)
3.0 liter models	7.9 in (200 mm)
Front tread	57.9 in (1,470 mm)
Rear tread	57.7 in (1,465 mm)
Wheelbase	104.3 in (2,650 mm)

■ Engine

2.5 liter

Engine model	EJ251
Engine type	Horizontally opposed, liquid cooled 4 cylinder, 4 stroke gasoline engine
Engine displacement	2,457 cc (149.9 cu in.)
Bore	3.92 in (99.5 mm)
Stroke	3.11 in (79.0 mm)
Compression ratio	10.0 : 1
Firing order	1 - 3 - 2 - 4

3.0 liter

Engine model	EZ30D
Engine type	Horizontally opposed, liquid cooled 6 cylinder, 4 stroke gasoline engine
Engine displacement	2,999 cc (183.0 cu in.)
Bore	3.51 in (89.2 mm)
Stroke	3.15 in (80.0 mm)
Compression ratio	10.7 : 1
Firing order	1 - 6 - 3 - 2 - 5 - 4

■ Electrical system

2.5 liter

Battery type and capacity	
MT:	55D23L
AT:	75D23L
Alternator	12V-90A

Spark plugs type	RC10YC4 (Champion) RC8YC4 (Champion) BKR6E-11 (NGK) K20PR-U11 (NIPPONDENSO)
------------------	--

3.0 liter

Battery type and capacity	75D23L
Alternator	12V-100A
Spark plugs type	PLFR6A-11 (NGK)

■ Capacities

Fuel tank		16.9 US gal (64 liters, 14.1 Imp gal)
Engine oil	2.5 liter	4.2 US qt (4.0 liters, 3.5 Imp qt)
	3.0 liter	6.0 US qt (5.7 liters, 5.0 Imp qt)
Transmission oil (MT)		3.7 US qt (3.5 liters, 3.1 Imp qt)
Transmission fluid (AT)		9.8 US qt (9.3 liters, 8.2 Imp qt)
AT differential gear oil		1.3 US qt (1.2 liters, 1.1 Imp qt)
Rear differential gear oil		0.8 US qt (0.8 liter, 0.7 Imp qt)
Power steering gear fluid		0.7 US qt (0.7 liter, 0.6 Imp qt)
Engine coolant	2.5 liter MT	7.2 US qt (6.8 liters, 6.0 Imp qt)
	AT	7.1 US qt (6.7 liters, 5.9 Imp qt)
	3.0 liter	8.1 US qt (7.7 liters, 6.7 Imp qt)

■ Tires

Legacy

Type		Steel belted radial, Tubeless
Size	Brighton	P195/60R15 87H
	L	P205/60R15 90H
	GT	P205/55R16 89H
Temporary spare		T135/70D16
Pressure		
Front	Brighton	33 psi (230 kPa, 2.3 kg/cm ²)
	GT, L	32 psi (220 kPa, 2.2 kg/cm ²)
Rear	Brighton	32 psi (220 kPa, 2.2 kg/cm ²)
	GT, L	30 psi (210 kPa, 2.1 kg/cm ²)
Temporary spare		60 psi (420 kPa, 4.2 kg/cm ²)

Wheel size 15 x 6JJ, 16 x 6¹/₂JJ

OUTBACK

Type	Steel belted radial, Tubeless
Size	P225/60R16 97H
Temporary spare	T145/80R16
Pressure	
Front	30 psi (210 kPa, 2.1 kg/cm ²)
Trailer towing	30 psi (210 kPa, 2.1 kg/cm ²)
Rear	29 psi (200 kPa, 2.0 kg/cm ²)
Trailer towing	32 psi (220 kPa, 2.2 kg/cm ²)
Temporary spare	60 psi (420 kPa, 4.2 kg/cm ²)
Wheel size	16 x 6 ¹ / ₂ JJ

■ Wheel alignment

Legacy sedan

Toe	Front	0 ± 0.12 in (0 ± 3 mm)
	Rear	0 ± 0.12 in (0 ± 3 mm)
Camber	Front	-0°05' ± 30'
	Rear	-0°30' ± 45'

Legacy station wagon

Toe	Front	0 ± 0.12 in (0 ± 3 mm)
	Rear	0 ± 0.12 in (0 ± 3 mm)
Camber	Front	-0°05' ± 30'
	Rear	-0°20' ± 45'

OUTBACK sedan

Toe	Front	0 ± 0.12 in (0 ± 3 mm)
	Rear	0 ± 0.12 in (0 ± 3 mm)
Camber	Front	0°20' ± 30'
	Rear	-0°10' ± 45'

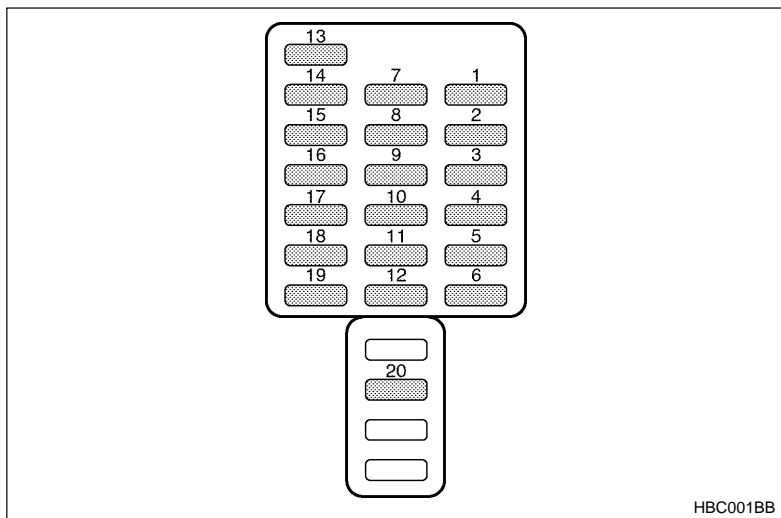
OUTBACK station wagon

Toe	Front	0 ± 0.12 in (0 ± 3 mm)
	Rear	0 ± 0.12 in (0 ± 3 mm)
Camber	Front	0°20' ± 30'
	Rear	-0°10' ± 45'

Fuses and circuits

■ Fuse panel located behind the coin tray

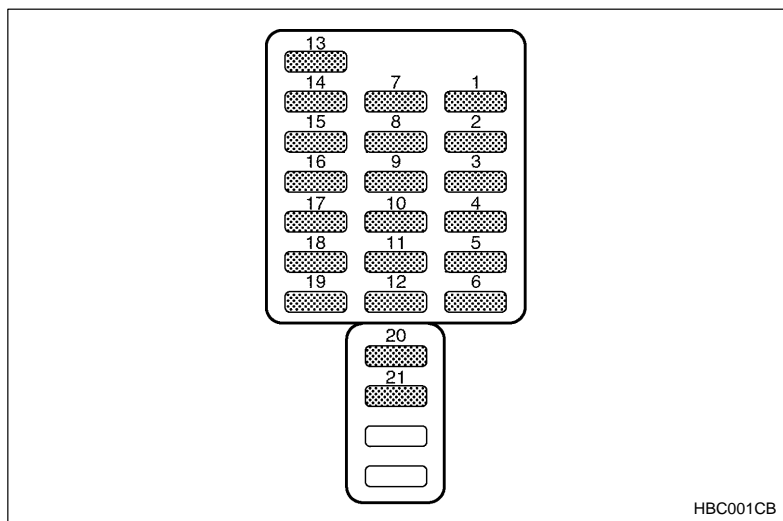
▼ 2.5 liter models



Fuse panel	Fuse rating	Circuit
1	15A	● Heater fan
2	15A	● Heater fan
3	15A	● Power door lock ● Keyless entry
4	20A	● Cigarette lighter ● Remote controlled rear view mirrors
5	10A	● Tail light ● Parking light

Fuse panel	Fuse rating	Circuit
6	15A	● SRS airbag
7	15A	● Front fog light
8	30A	● ABS solenoid
9	15A	● Radio ● Clock
10	15A	● Trailer
11	15A	● Engine ignition system ● SRS airbag
12	10A	● Illumination brightness control
13	15A	● Fuel pump
14	10A	● Rear window wiper and washer
15	30A	● Windshield wiper and washer
16	20A	● Brake light
17	15A	● Air conditioner
18	15A	● Backup light ● Cruise control ● ABS control
19	20A	● Mirror heater ● Wiper deicer
20	20A	● Accessory power socket ● Seat heater

▼ 3.0 liter models

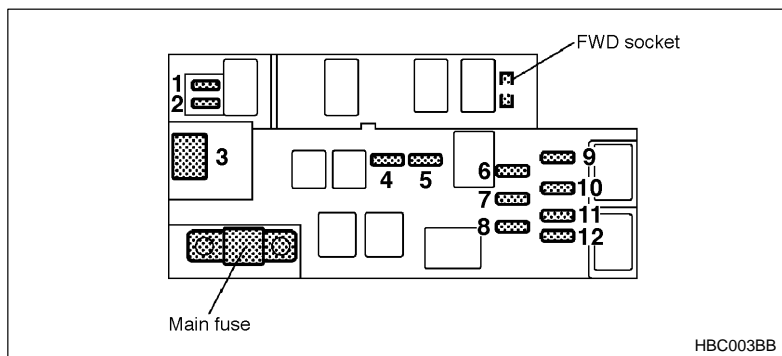


Fuse panel	Fuse rating	Circuit
1	15A	● Heater fan
2	15A	● Heater fan
3	15A	● Power door lock ● Keyless entry
4	20A	● Cigarette lighter ● Remote controlled rear view mirrors
5	10A	● Tail light ● Parking light
6	15A	● SRS airbag
7	15A	● Front fog light

Fuse panel	Fuse rating	Circuit
8	30A	● ABS (VDC) solenoid
9	15A	● Radio ● Clock
10	15A	● Trailer
11	15A	● Engine ignition system ● SRS airbag
12	10A	● Illumination brightness control
13	15A	● Fuel pump
14	10A	● Rear window wiper and washer
15	30A	● Windshield wiper and washer
16	20A	● Brake light
17	15A	● Air conditioner
18	15A	● Backup light ● Cruise control ● ABS (VDC) control
19	20A	● Mirror heater ● Wiper deicer
20	20A	● McIntosh audio amp (if equipped)
21	20A	● Accessory power socket ● Seat heater

■ Fuse panel located in the engine compartment

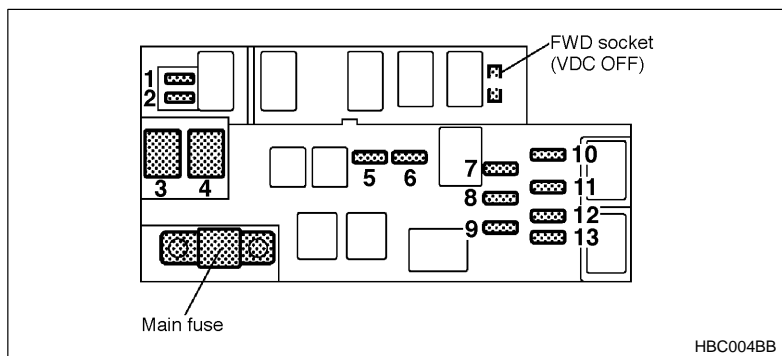
▼ 2.5 liter models



Fuse panel	Fuse rating	Circuit
1	20A	● Radiator cooling fan (Main)
2	20A	● Radiator cooling fan (Sub)
3	50A	● ABS motor
4	20A	● Rear window defogger
5	15A	● Hazard warning flasher ● Horn
6	15A	● Meter ● SRS airbag system warning light
7	10A	● Automatic transmission control unit ● ABS UNIT
8	10A	● Alternator
9	15A	● Headlight (right side)

Fuse panel	Fuse rating	Circuit
10	15A	● Headlight (left side)
11	20A	● Lighting switch
12	15A	● Clock ● Interior light

▼ 3.0 liter models



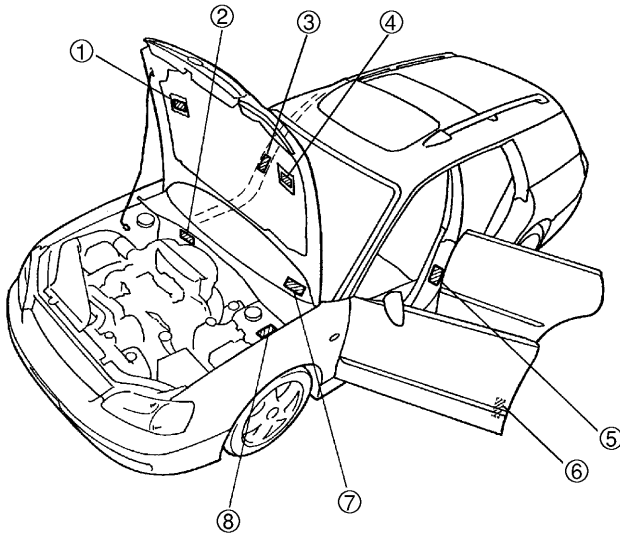
Fuse panel	Fuse rating	Circuit
1	30A	● Radiator cooling fan (Main)
2	30A	● Radiator cooling fan (Sub)
3	50A	● ABS (VDC) motor
4	30A	● McIntosh audio amp (if equipped)
5	20A	● Rear window defogger
6	15A	● Hazard warning flasher ● Horn
7	15A	● Meter ● SRS airbag system warning light
8	10A	● Automatic transmission control unit ● ABS UNIT
9	10A	● Alternator
10	15A	● Headlight (right side)

Fuse panel	Fuse rating	Circuit
11	15A	● Headlight (left side)
12	20A	● Lighting switch
13	15A	● Clock ● Interior light

Bulb chart

	Wattage	Bulb No.
Headlight		
GT and OUTBACK		
Low beam	12V-55W	H1
High beam	12V-60W	9005 (HB3)
Except GT and OUTBACK	12V-60/55W	9007 (HB5)
Front turn signal	12V-27W	1156NA (Amber)
Spot light	12V-8W	—
Dome light	12V-8W	—
Door step light	12V-3.4W	—
Parking and front side marker light	12V-27/8W	1157NA (Amber)
Front fog light		
Except OUTBACK	12V-55W	H3
OUTBACK	12V-51W	9006 (HB4)
Backup light		
Sedan	12V-27W	3156K
Station wagon	12V-27W	1156
Luggage area light	12V-13W	—
High mount stop light		
Sedan	12V-18W	921
Station wagon	12V-13W	912
Rear turn signal light		
Sedan	12V-21W	—
Station wagon	12V-21W	R2172 7440
Brake/tail light		
Sedan	12V-27/8W	3157K
Station wagon	12V-27/8W	1157
Licence plate light		
Sedan	12V-5W	168
Station wagon	12V-3.8W or 5W	194 or 168
Trunk room light	12V-5W	W5W

Vehicle identification



HBD002BB

- | | |
|------------------------------------|---------------------------------------|
| ① Emission control label | ⑤ Tire inflation pressure label |
| ② Vehicle identification number | ⑥ Certification and bar cord label |
| ③ Radio noise label (Canada model) | ⑦ Vehicle identification number plate |
| ④ Vacuum hose connections label | ⑧ Model number plate |