

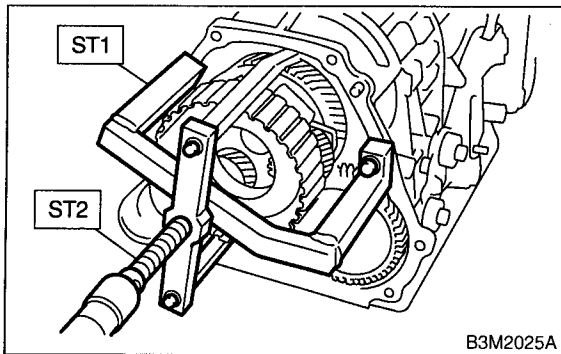
15. Center Differential Carrier

S510592

A: REMOVAL S510592A18

- 1) Remove rear vehicle speed sensor, and separate the extension case from the transmission case. <Ref. to AT-36 REMOVAL, Extension Case.>
- 2) Pull out the rear drive shaft. <Ref. to AT-47 REMOVAL, Rear Drive Shaft.>
- 3) Using ST, extract the center differential carrier assembly.

ST1 499737100 PULLER
ST2 899524100 PULLER SET



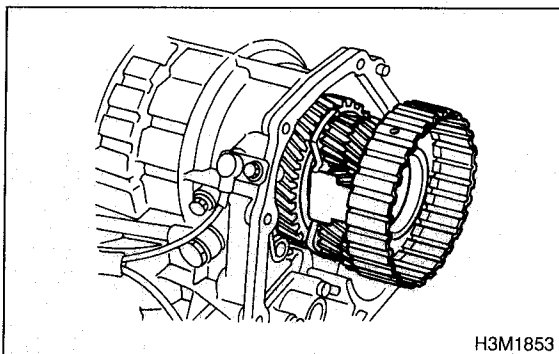
- 4) Extract shim from transmission case.

B: INSTALLATION S510592A11

- 1) Install the center differential assembly with shim.

NOTE:

Insert it fully into position until the bearing shoulder bottoms.



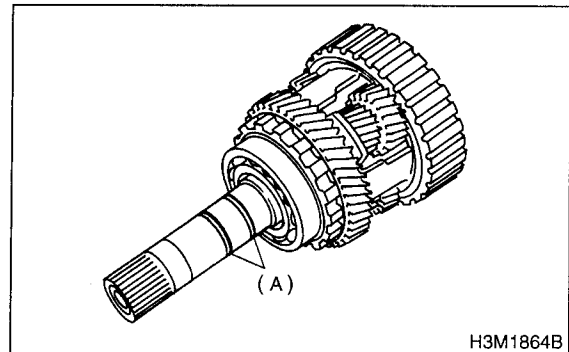
- 2) Insert the rear drive shaft. <Ref. to AT-47 INSTALLATION, Rear Drive Shaft.>
- 3) Combine the transmission case with the extension case, and install rear vehicle speed sensor. <Ref. to AT-36 INSTALLATION, Extension Case.>

C: DISASSEMBLY S510592A06

- 1) Remove seal ring.

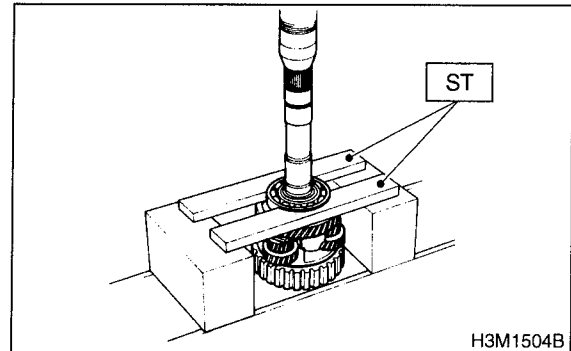
CAUTION:

Be careful not to damage the seal rings.

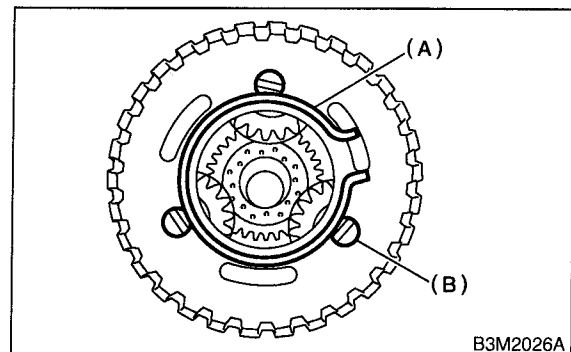


(A) Seal rings

- 2) Using a press and ST, remove the ball bearing.
ST 498077000 REMOVER



- 3) Remove snap ring, and pull out shafts from center differential assembly.

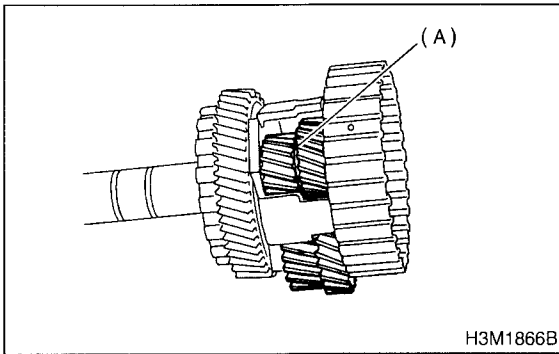


(A) Snap ring
(B) Shaft

CENTER DIFFERENTIAL CARRIER

Automatic Transmission

- 4) Remove thrust washer, pinion gears and washers from center differential assembly.



(A) Pinion gear

- 5) Pull out intermediate shaft and thrust bearing.

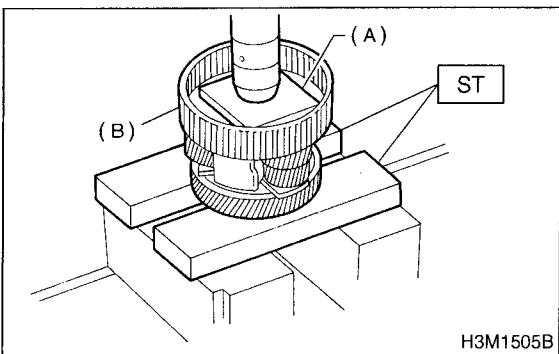
D: ASSEMBLY SS10592A02

- 1) Install thrust washer to intermediate shaft.
- 2) Install thrust bearing and intermediate shaft.
- 3) Install pinion gears and washers.
- 4) Put shaft in center differential assembly.
- 5) Install snap ring.
- 6) Using a press, press-fit the ball bearing to center differential assembly.

ST 498077000 REMOVER

CAUTION:

Be sure to use a new ball bearing.



(A) Plate

(B) Center differential carrier

E: INSPECTION SS10592A10

- Make sure that each component is free of harmful gouges, cuts, or dust.
- Measure the extension end play and adjust it to within specifications. <Ref. to AT-44 WITH VTD, ADJUSTMENT, Transfer Clutch.>