

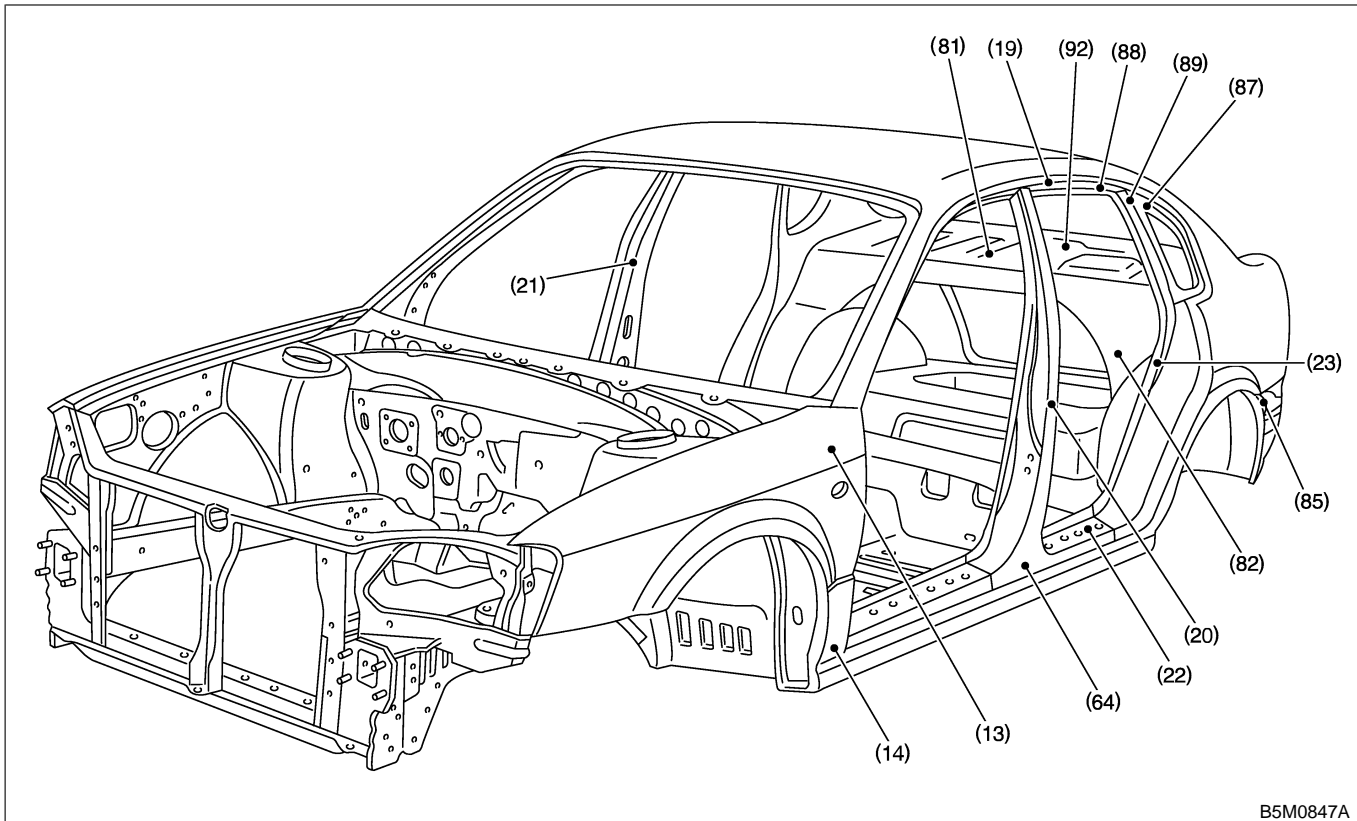
## 2. Datum Points S906540

### A: LOCATION S906540A13

**NOTE:**

- Datum points are specified for body repair.
- Guide holes, locators, and indents are provided to facilitate panel replacement and to increase alignment accuracy.
- Both right and left reference points are symmetrical.

### 1. ROOM SECTION S906540A1301



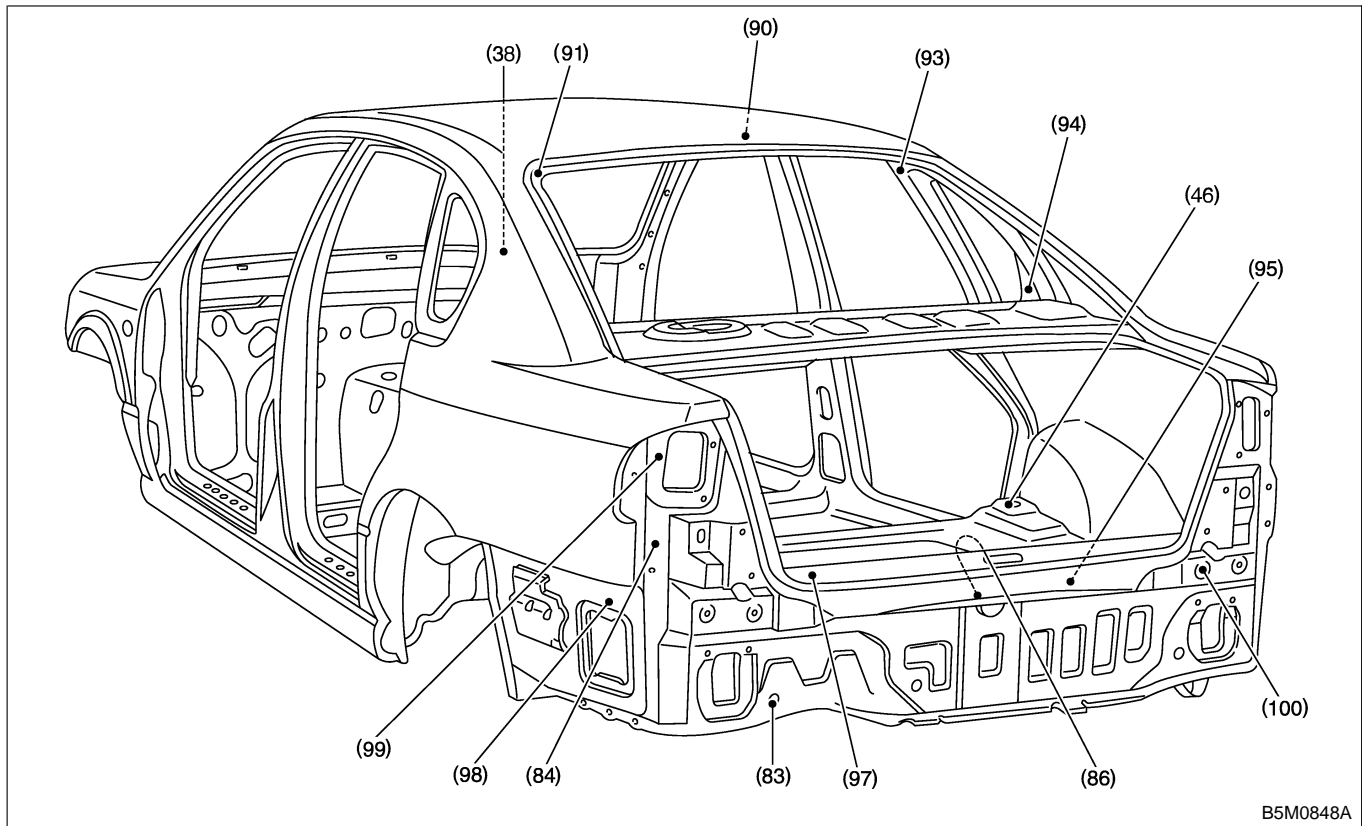
B5M0847A

- |  |   |   |
|--|---|---|
| (13) Front fender attaching hole at front pillar center portion M6     | (23) Rear quarter outer door switch attaching hole 20 mm (0.79 in) dia. | (87) Six light upper retainer attaching hole 6.2 mm (0.244 in) dia.                 |
| (14) Front fender attaching hole at front pillar lower portion M6      | (64) Center pillar (LWR) gauge hole 13 mm (0.51 in) dia.                | (88) Retainer attaching square hole at side rail outer 8 × 8 mm (0.31 × 0.31 in)    |
| (19) Retainer attaching hole at side rail outer 3.2 mm (0.126 in) dia. | (81) Rear shelf (UPR) center hole 8 mm (0.31 in) dia.                   | (89) Retainer attaching square hole at rear quarter outer 8 × 8 mm (0.31 × 0.31 in) |
| (20) Center pillar outer hole 14 mm (0.55 in) dia.                     | (82) Rear side bulk head (UPR) gauge hole 7 mm (0.28 in) dia.           | (92) Rear shelf (UPR) hole 6 mm (0.24 in) dia.                                      |
| (21) Front seat belt adjust plate attaching hole M10                   | (85) Rear quarter outer gauge hole 20 mm (0.79 in) dia.                 |   |
| (22) Side sill outer hole 20 mm (0.79 in) dia.                         |   |   |

# DATUM POINTS

Body Structure

## 2. REAR SECTION S906540A1302



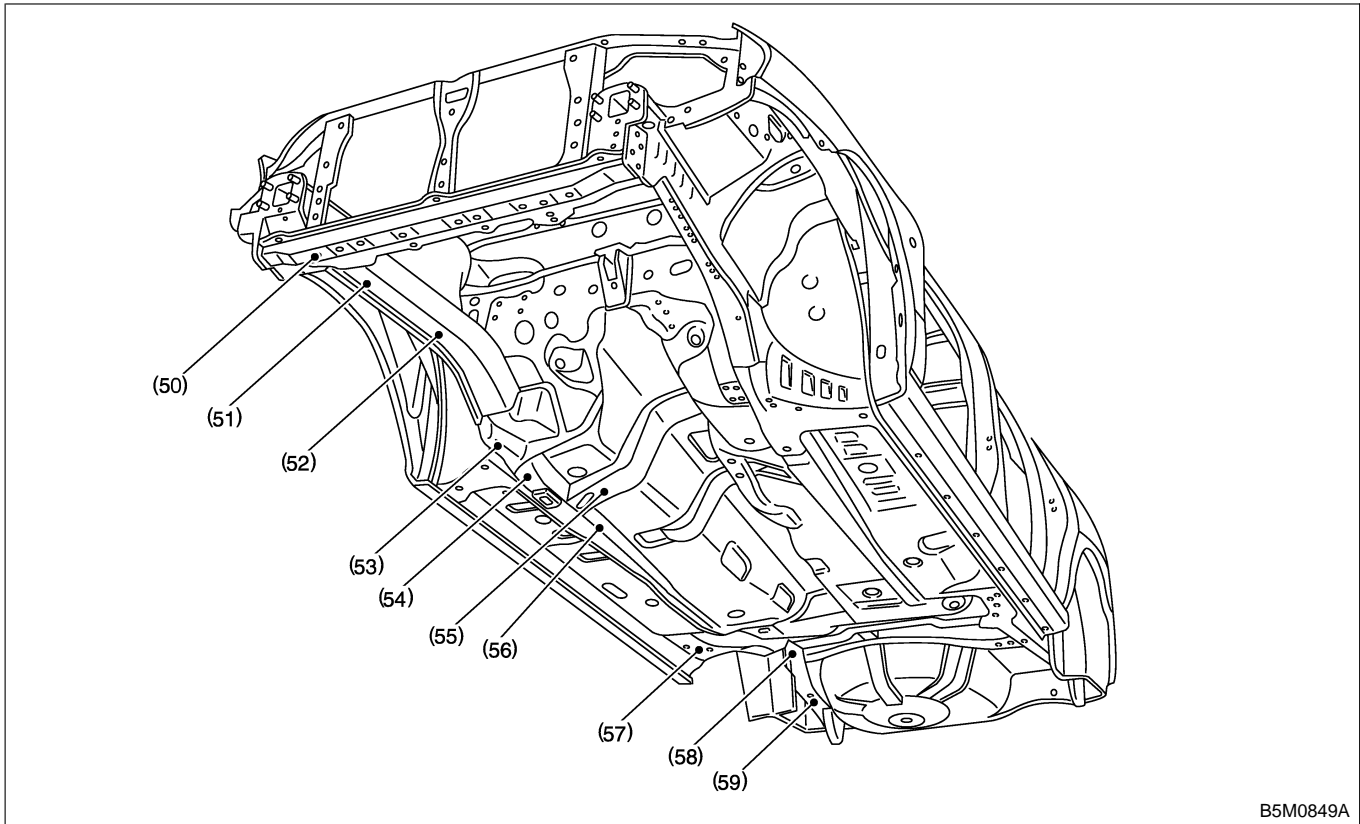
- (38) Front panel instrument panel attaching hole 18 × 36 mm (0.71 × 1.42 in) dia. oblong hole
- (46) Rear shock absorber attaching hole 13 mm (0.51 in) dia.
- (83) Rear skirt outer gauge hole 20 mm (0.79 in) dia.
- (84) Rear extension attaching hole 6.2 mm (0.244 in) dia.
- (86) Skirt rear inner center location hole 7 mm (0.28 in) dia.

- (90) Roof trim attaching hole 8 mm (0.31 in) dia.
- (91) Rear glass upper locating hole RH: 6.8 mm (0.268 in) dia., LH: 6.8 × 10 mm (0.268 × 0.39 in) dia. oblong hole
- (93) Inner trim attaching hole (UPR) 8 mm (0.31 in) dia.
- (94) Inner trim attaching hole (LWR) 8 mm (0.31 in) dia.

- (95) Rear bumper attaching hole 12.5 × 17 mm (0.492 × 0.669 in) dia. oblong hole
- (97) Trim attaching hole at rear skirt 7 mm (0.28 in) dia.
- (98) Rear bumper side attaching hole 6.2 mm (0.244 in) dia.
- (99) Rear combination light mounting hole 8 mm (0.31 in) dia.
- (100) Rear bumper beam attaching hole 8.2 mm (0.323 in) dia.

## 3. UNDERBODY SECTION

S906540A1303



B5M0849A

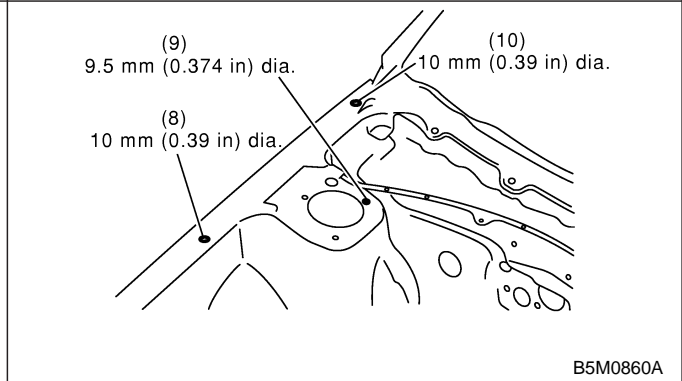
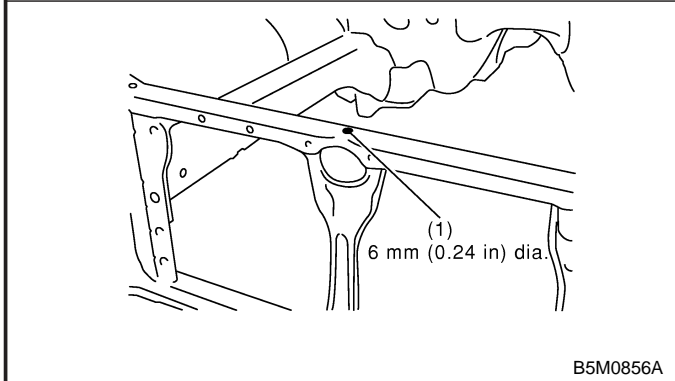
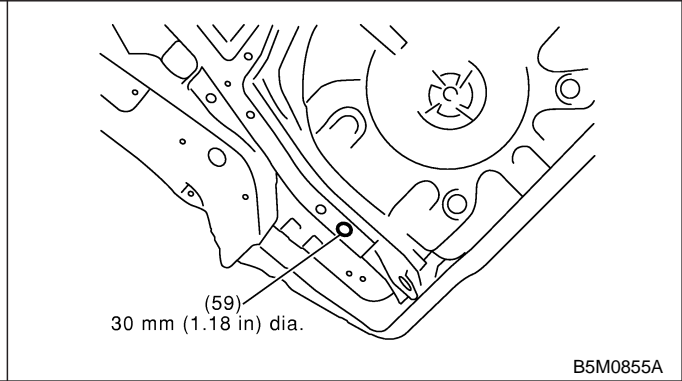
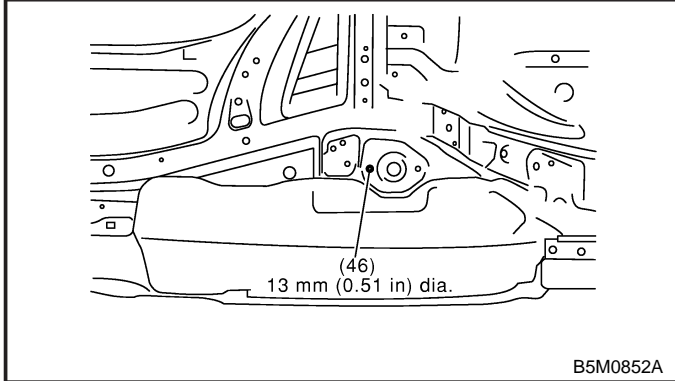
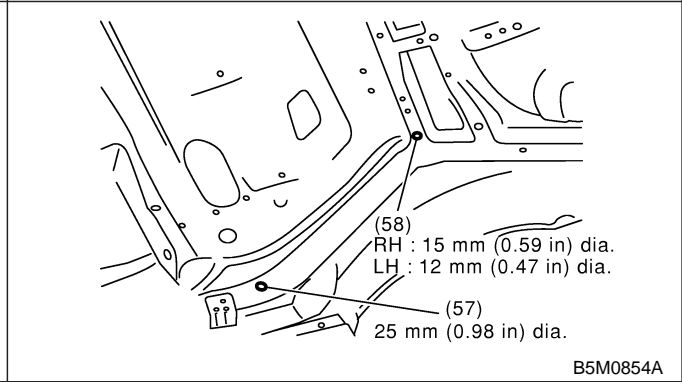
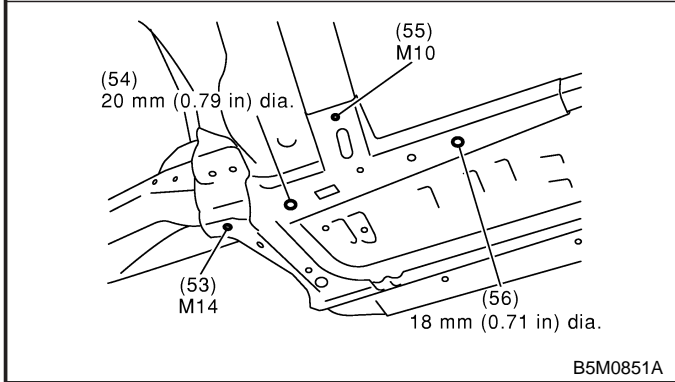
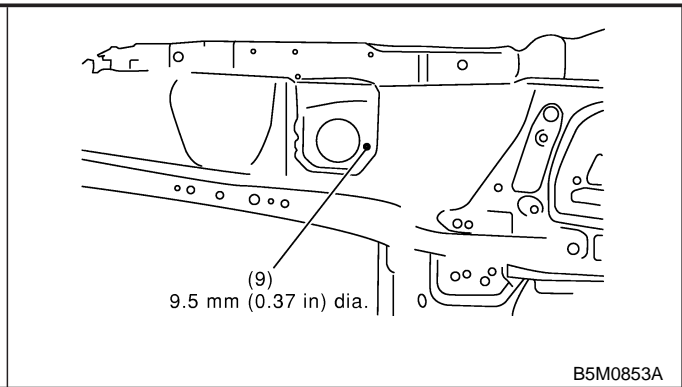
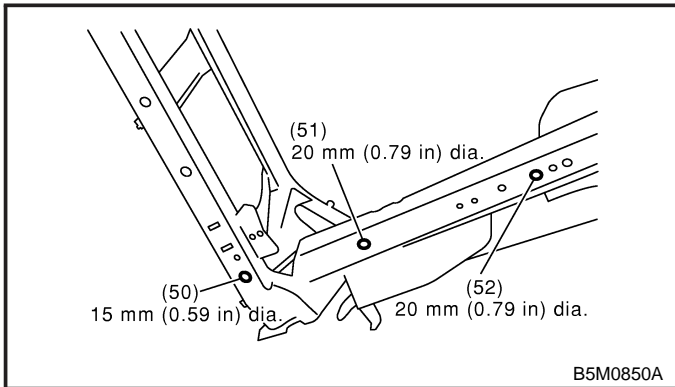
- (50) Radiator panel (LWR) frame gauge hole 15 mm (0.59 in) dia.
- (51) Front side frame (Ft) gauge hole 20 mm (0.79 in) dia.
- (52) Front side frame (Ft) gauge hole 20 mm (0.79 in) dia.
- (53) Front suspension attaching hole M14

- (54) Front side frame (Rr) gauge hole 20 mm (0.79 in) dia.
- (55) Crossmember front floor gauge hole M10
- (56) Side frame (Rr) gauge hole 18 mm (0.71 in) dia.
- (57) Frame rear floor side gauge hole 25 mm (0.98 in) dia.

- (58) Reinforcement crossmember B hole RH: 15 mm (0.59 in) dia., LH: 12 mm (0.47 in) dia.
- (59) Frame rear floor side gauge hole 30 mm (1.18 in) dia.

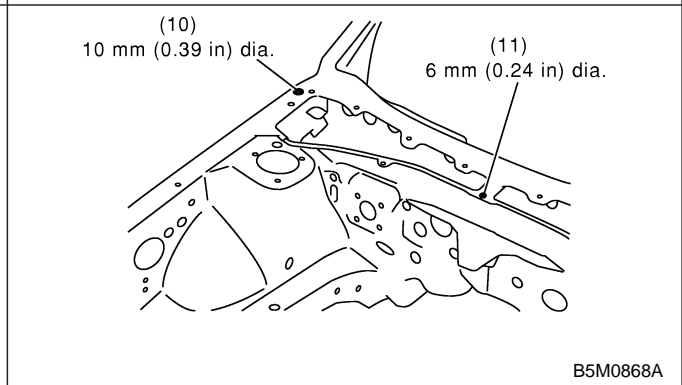
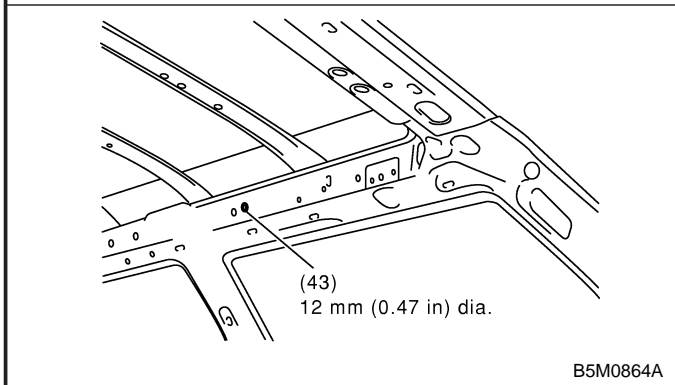
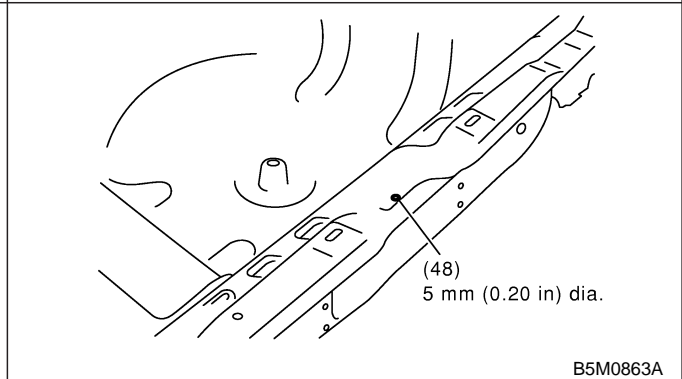
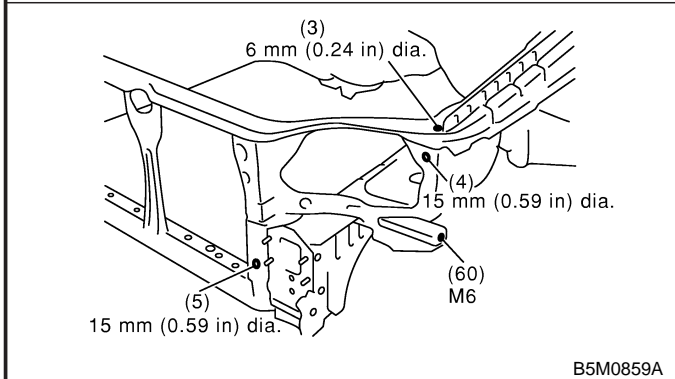
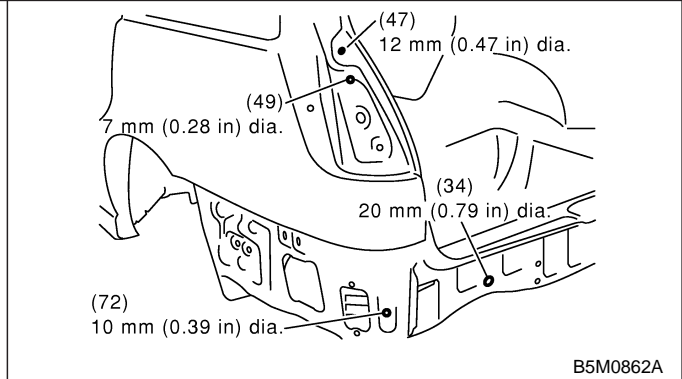
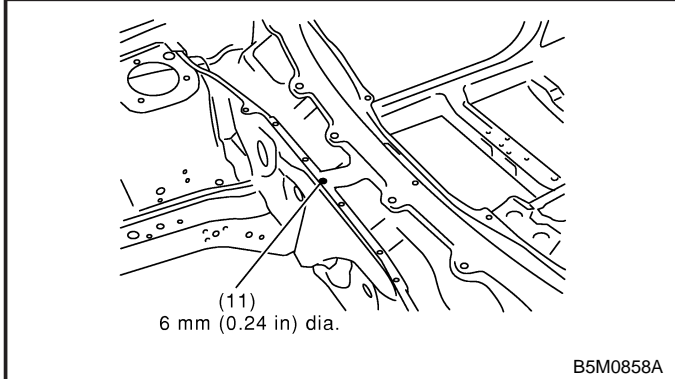
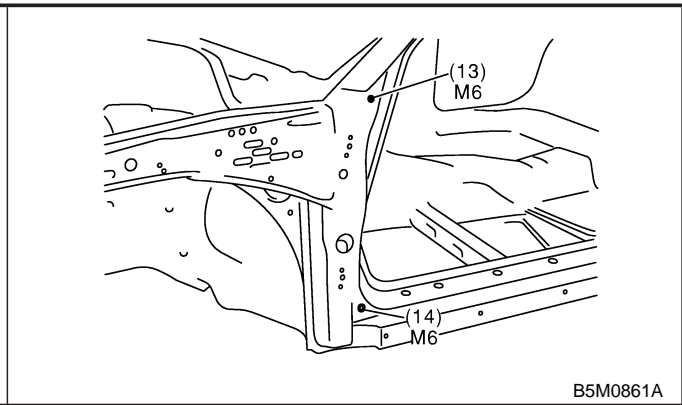
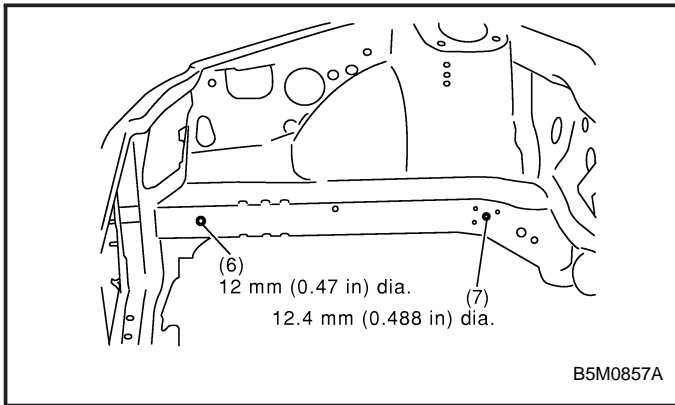
# DATUM POINTS

## Body Structure



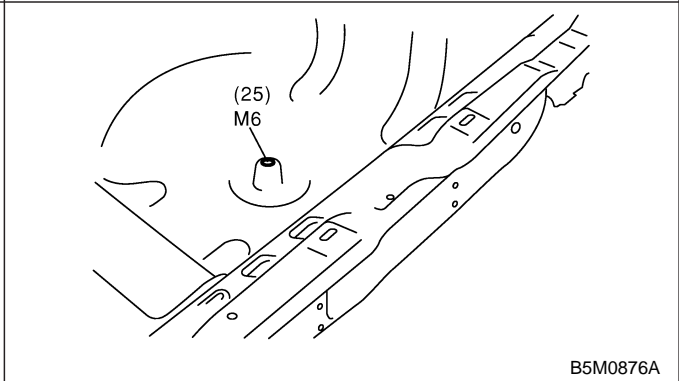
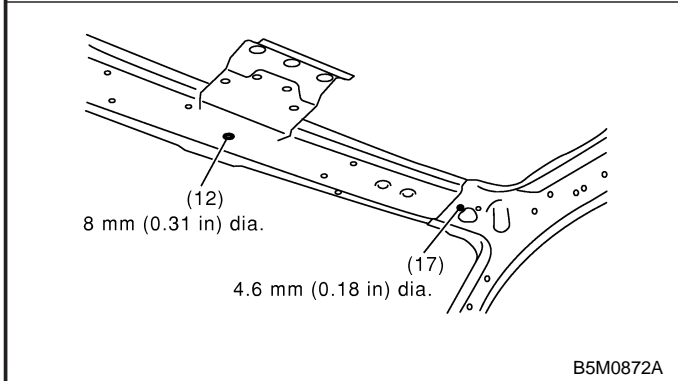
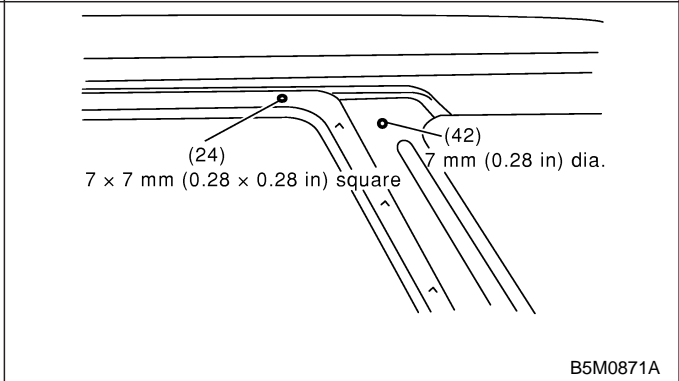
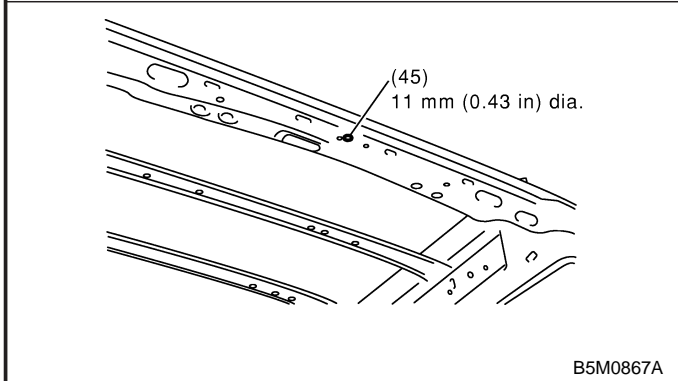
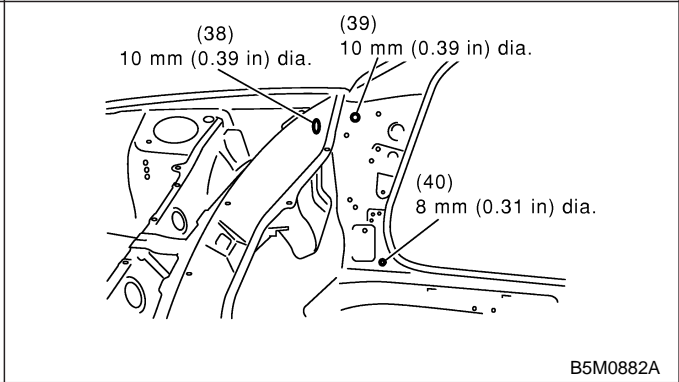
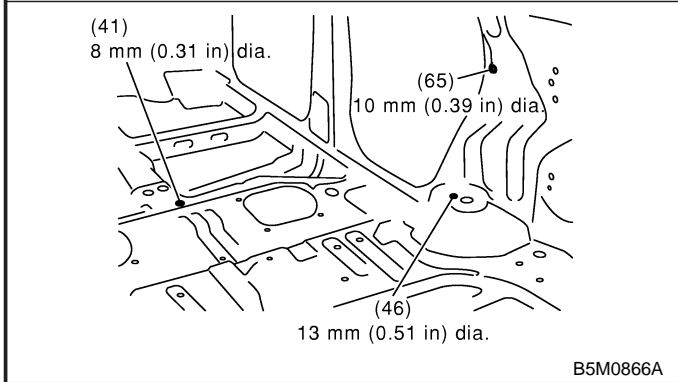
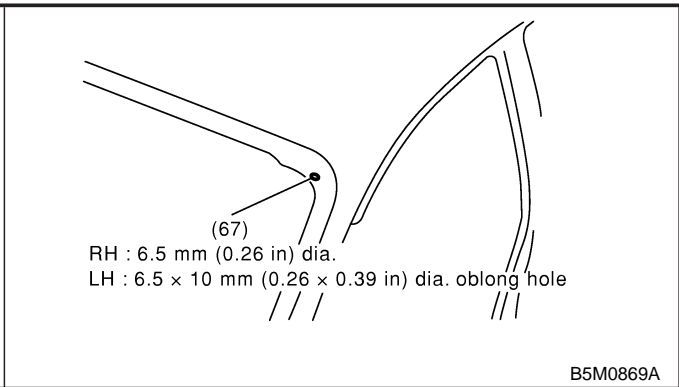
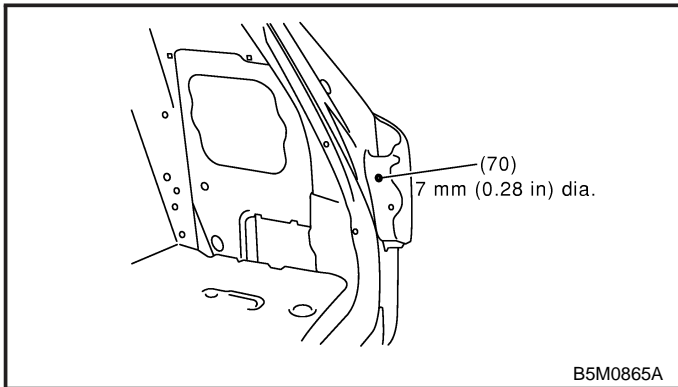
# DATUM POINTS

Body Structure



# DATUM POINTS

## Body Structure



# DATUM POINTS

Body Structure

