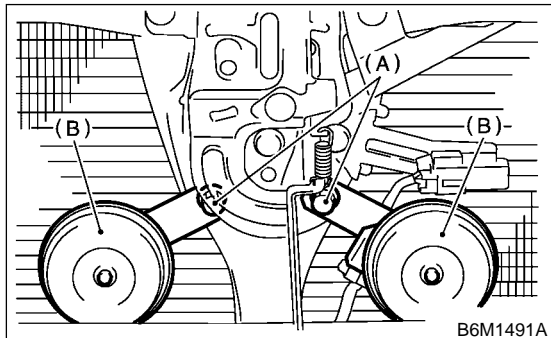


3. Horn S904437

A: REMOVAL S904437A18

- 1) Remove horn bracket mounting bolt (A).
- 2) Disconnect harness connector and remove horn assembly (B).



B: INSTALLATION S904437A11

Install in the reverse order of removal.

C: INSPECTION S904437A10

With 12 V direct current supply between horn terminal and case ground, check that the horn sounds properly.

