

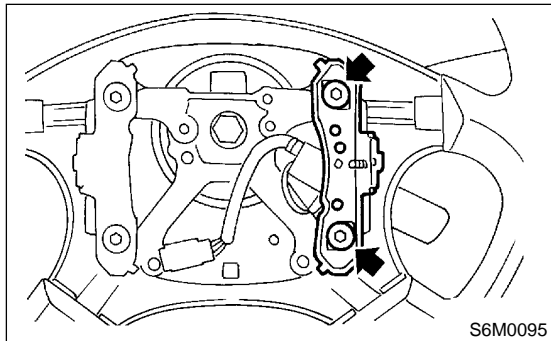
4. Horn Switch S904434

A: REMOVAL S904434A18

WARNING:

Before servicing, be sure to read the notes in the AB section for proper handling of the driver airbag module. <Ref. to AB-3 CAUTION, General Description.>

- 1) Remove the driver's airbag module. <Ref. to AB-12 Driver's Airbag Module.>
- 2) Remove horn switch from steering wheel as shown.

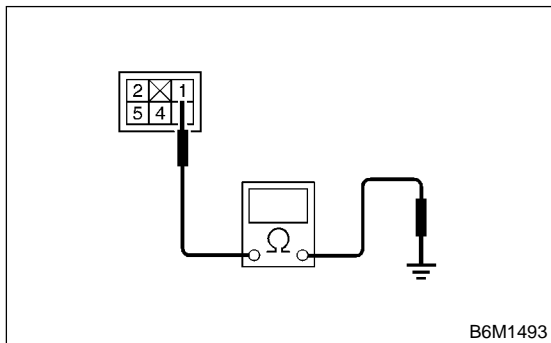


B: INSTALLATION S904434A11

Install in the reverse order of removal.

C: INSPECTION S904434A10

Check continuity between terminals.



Switch position	Tester connection	Specified condition
When horn switch is pushed.	1—Body ground	Continuity
When horn switch is not pushed.		No continuity