

## 2. Actuator S912499

### A: REMOVAL S912499A18

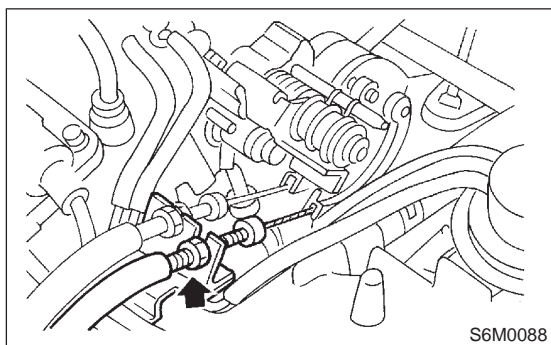
**CAUTION:**

● Be careful not to apply excessive load to the wire cable when adjusting and/or installing; otherwise, the actuator may be deformed or damaged.

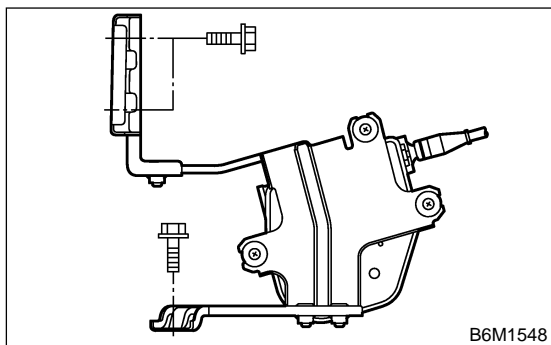
● Do not bend cable sharply with a radius less than 100 mm (3.94 in); otherwise, cable may bend permanently, resulting in poor performance.

● When installing cable, be careful not to sharply bend or pinch the inner cable; otherwise, the cable may break.

- 1) Remove clip bands from cruise control cable.
- 2) Loosen nut which secures cruise control cable end to throttle cam and then remove cable from throttle cam.



- 3) Remove actuator attaching bolts.
- 4) Remove actuator while disconnecting connector.



### B: INSTALLATION S912499A11

Install in the reverse order of removal.

**Tightening torque:**

**7.4 N·m (0.75 kgf·m, 5.4 ft·lb)**

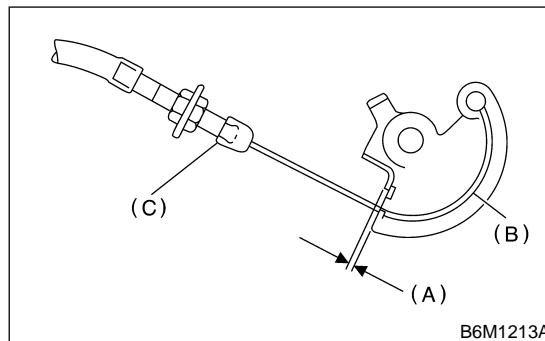
**NOTE:**

(A): Must be adjusted when cable end outer is fixed in place, so that gap between throttle cam and lever is 0 — 1 mm (0 — 0.04 in).

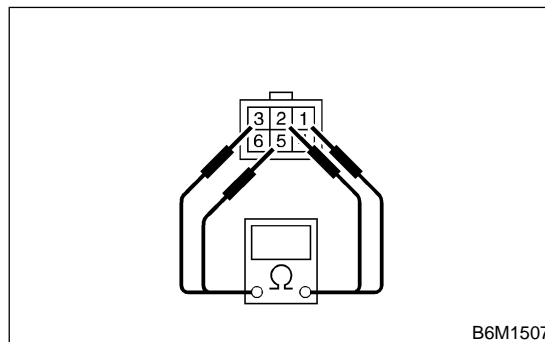
(Must be attached while throttle cam is being pulled by wire cable.)

(B): Must be coated evenly on cam end inner connection.

(C): Cover must be inserted securely, until tip of cable touches cover stopper.



### C: INSPECTION S912499A10



Measure resistance between cruise control actuator terminals.

Tester connection	Resistance (Ω)
1 — 5	Approx. 46
2 — 3	Approx. 46

If NG, replace cruise control actuator.