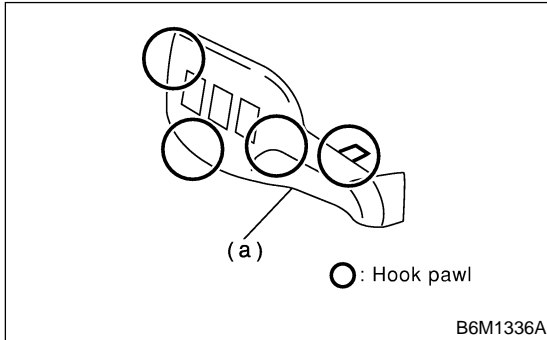


4. Cruise Control Main Switch

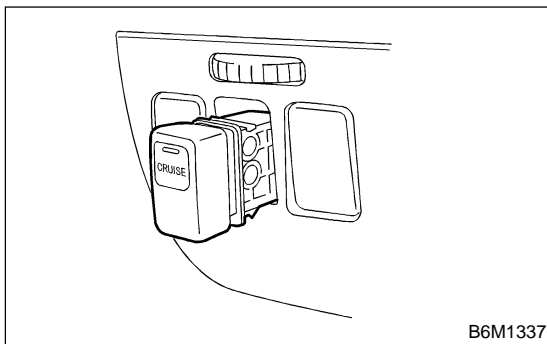
S912498

A: REMOVAL S912498A18

1) Remove switch panel (a) while disconnecting connector.



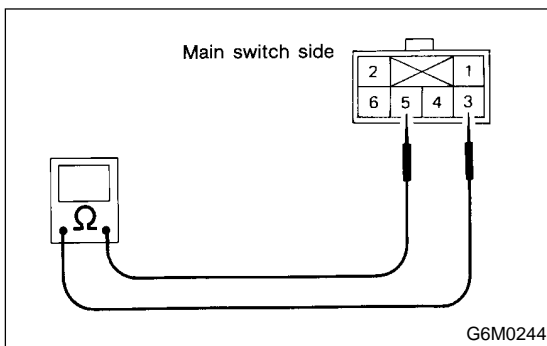
2) Remove main switch by pushing it outward.



B: INSTALLATION S912498A11

Install is in the reverse order of removal.

C: INSPECTION S912498A10



Check continuity between cruise control main switch terminals.

Switch position	Tester connection	Specified condition
OFF	3 — 5	No continuity
ON	3 — 5	Continuity

If NG, replace cruise control main switch.