

# CRUISE CONTROL COMMAND SWITCH

Cruise Control System

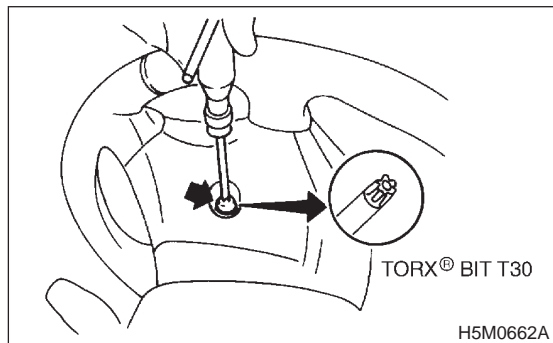
## 5. Cruise Control Command Switch S912497

### A: REMOVAL S912497A18

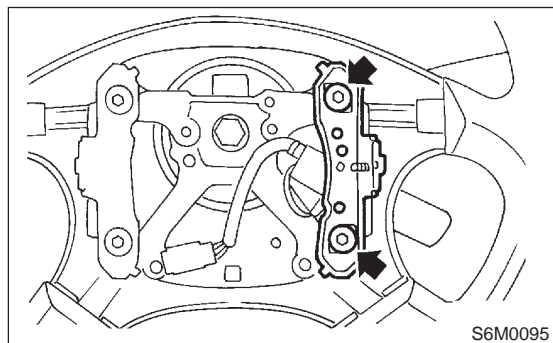
#### WARNING:

Before servicing, be sure to read the notes in the AB section for proper handling of the driver's airbag module. <Ref. to DRIVER'S AIRBAG MODULE.>

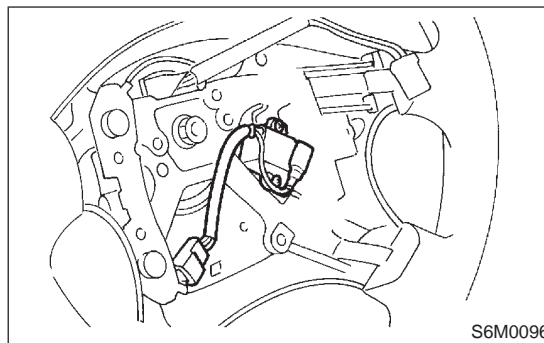
- 1) Set front wheels in straight ahead position.
- 2) Turn ignition switch OFF.
- 3) Disconnect battery ground cable from battery and wait for at least 20 seconds before starting work.
- 4) Using TORX® BIT T30 (Tamper resistant type), loosen two TORX® bolts which secure driver's airbag module.



- 5) Disconnect airbag module connector on back of airbag module.
- 6) Remove horn switch from steering wheel as shown.



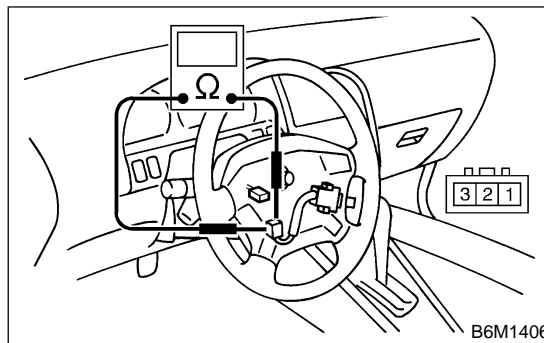
- 7) Disconnect horn and cruise control command switch connector, then remove cruise control command switch.



### B: INSTALLATION S912497A11

Install is in the reverse order of removal.

### C: INSPECTION S912497A10



Check continuity between cruise control command switch terminals.

Switch	Position	Tester connection	Specified condition
CANCEL	ON	1 (+) — 2 (-)	Continuity
	ON	1 (+) — 3 (-)	Continuity
SET/COAST	OFF	1 — 3	No continuity
	ON	1 — 3	Continuity
RESUME/ACCEL	OFF	1 — 2	No continuity
	ON	1 — 2	Continuity

If NG, replace cruise control command switch.