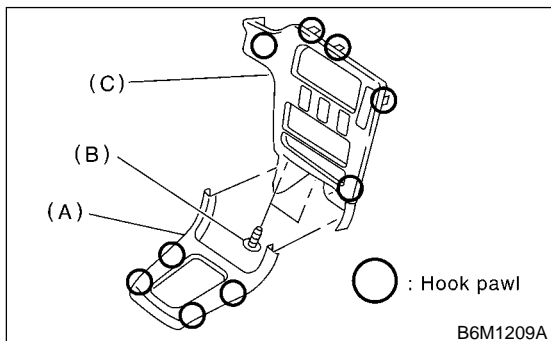


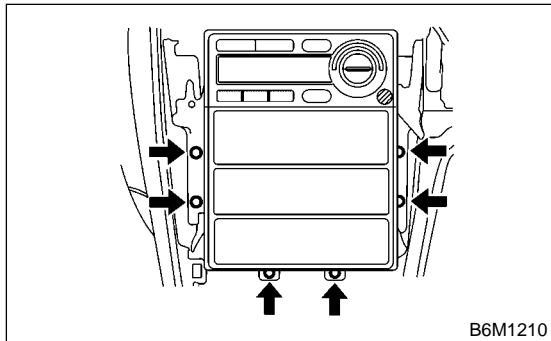
## 4. Radio Body S901469

### A: REMOVAL S901469A18

- 1) Remove front cover (A).
- 2) Remove two screws (B) and then remove center panel (C) while disconnecting connector.



- 3) Remove fitting screws, and slightly pull radio out from center console.



- 4) Disconnect electric connectors and antenna feeder cord and then disconnect heater control unit.

### B: INSTALLATION S901469A11

Install in the reverse order of removal.