

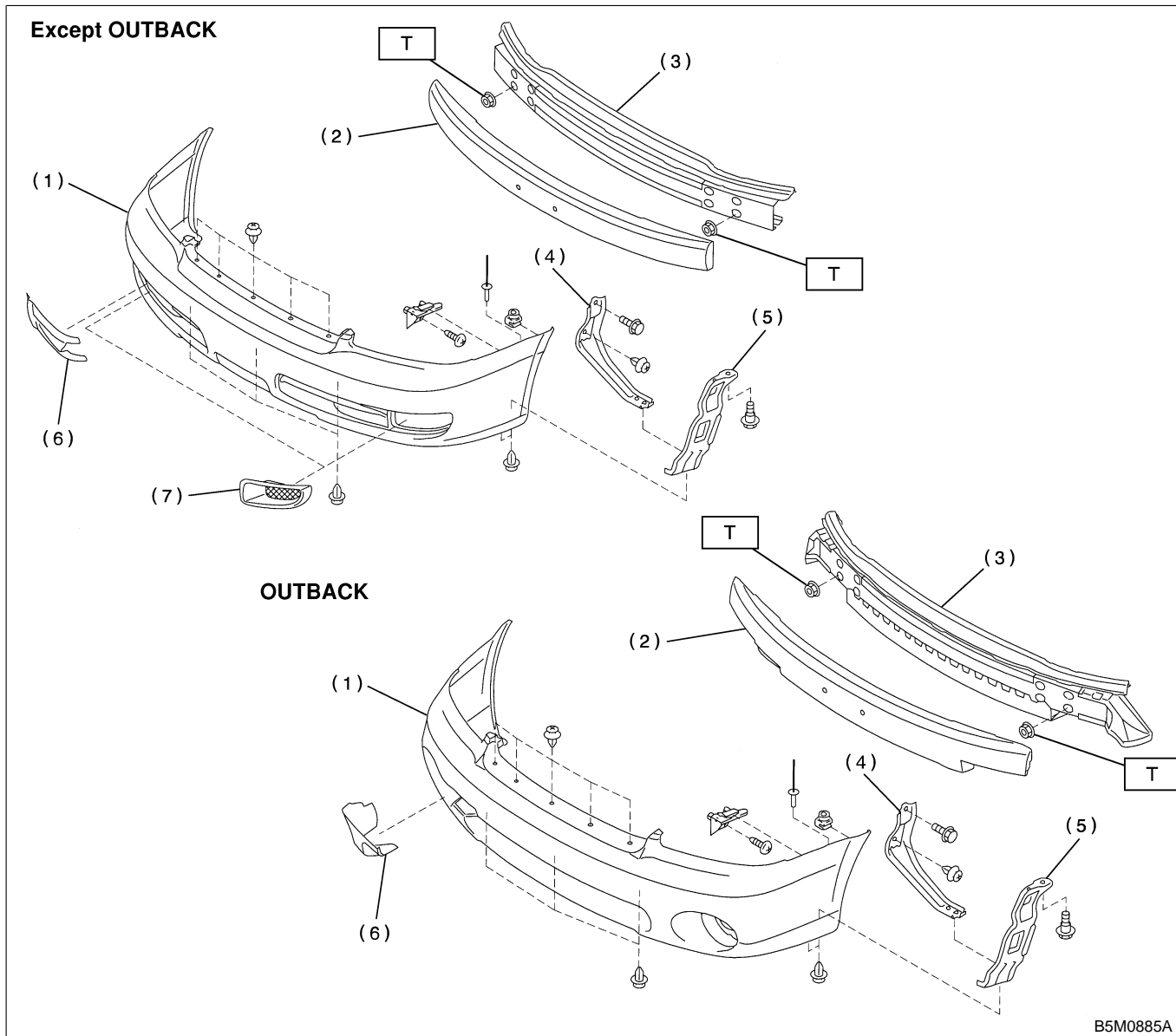
# GENERAL DESCRIPTION

Exterior/Interior Trim

## 1. General Description S911001

### A: COMPONENT S911001A05

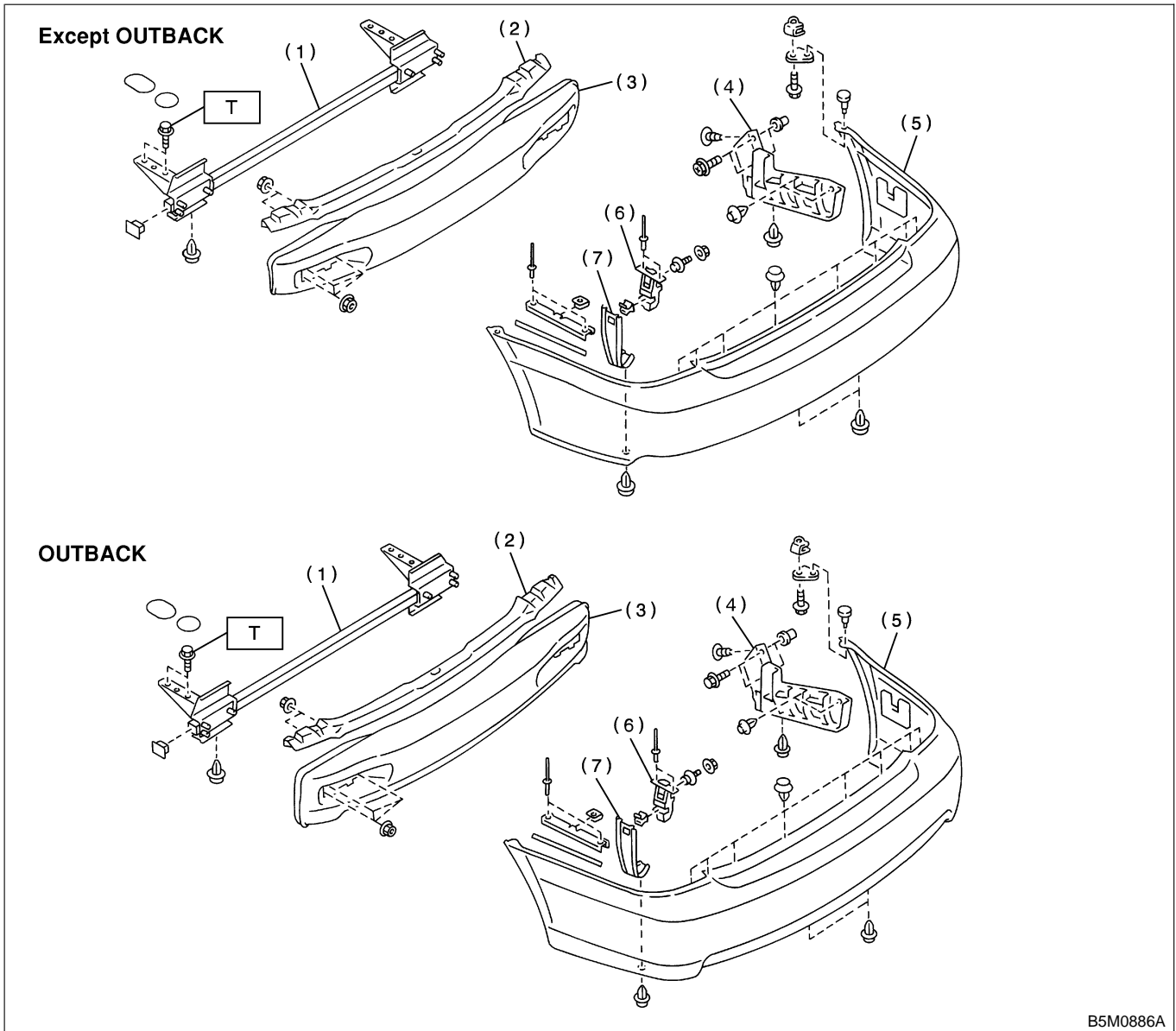
#### 1. FRONT BUMPER S911001A0501



- |                 |                           |
|-----------------|---------------------------|
| (1) Bumper face | (5) Side bracket          |
| (2) E/A form    | (6) Cover (Tie down hook) |
| (3) Bumper beam | (7) Cover                 |
| (4) Side stay   |                           |

**Tightening torque: N·m (kgf·m, ft·lb)**  
**T: 33 (3.4, 25)**

## 2. REAR BUMPER (SEDAN) S911001A0502



B5M0886A

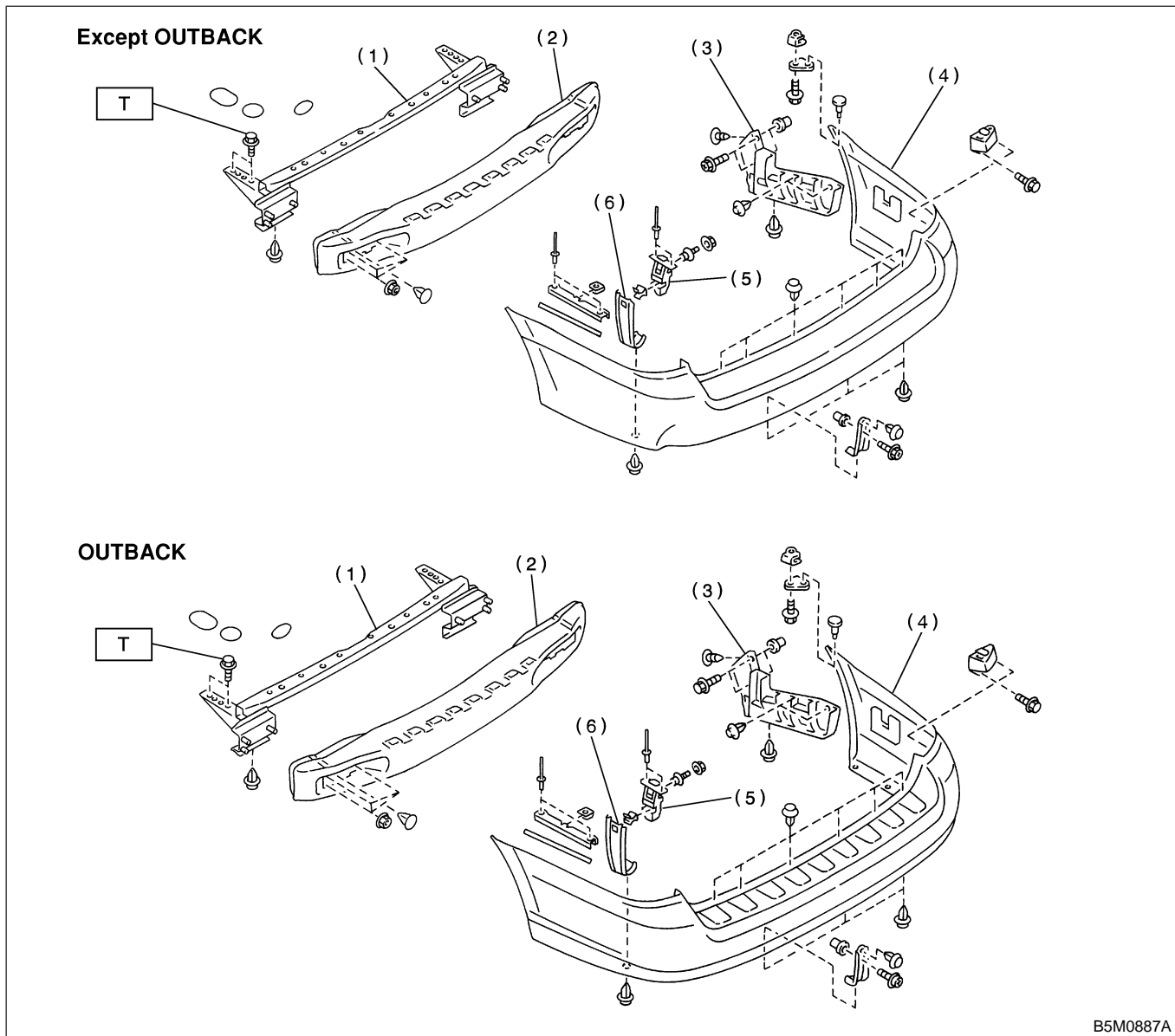
- |                  |                 |
|------------------|-----------------|
| (1) Bumper beam  | (5) Bumper face |
| (2) Upper beam   | (6) Hook        |
| (3) Resin beam   | (7) Side stay   |
| (4) Side bracket |                 |

**Tightening torque: N·m (kgf·m, ft·lb)**  
**T: 95 (9.7, 70)**

# GENERAL DESCRIPTION

Exterior/Interior Trim

## 3. REAR BUMPER (WAGON) S911001A0503

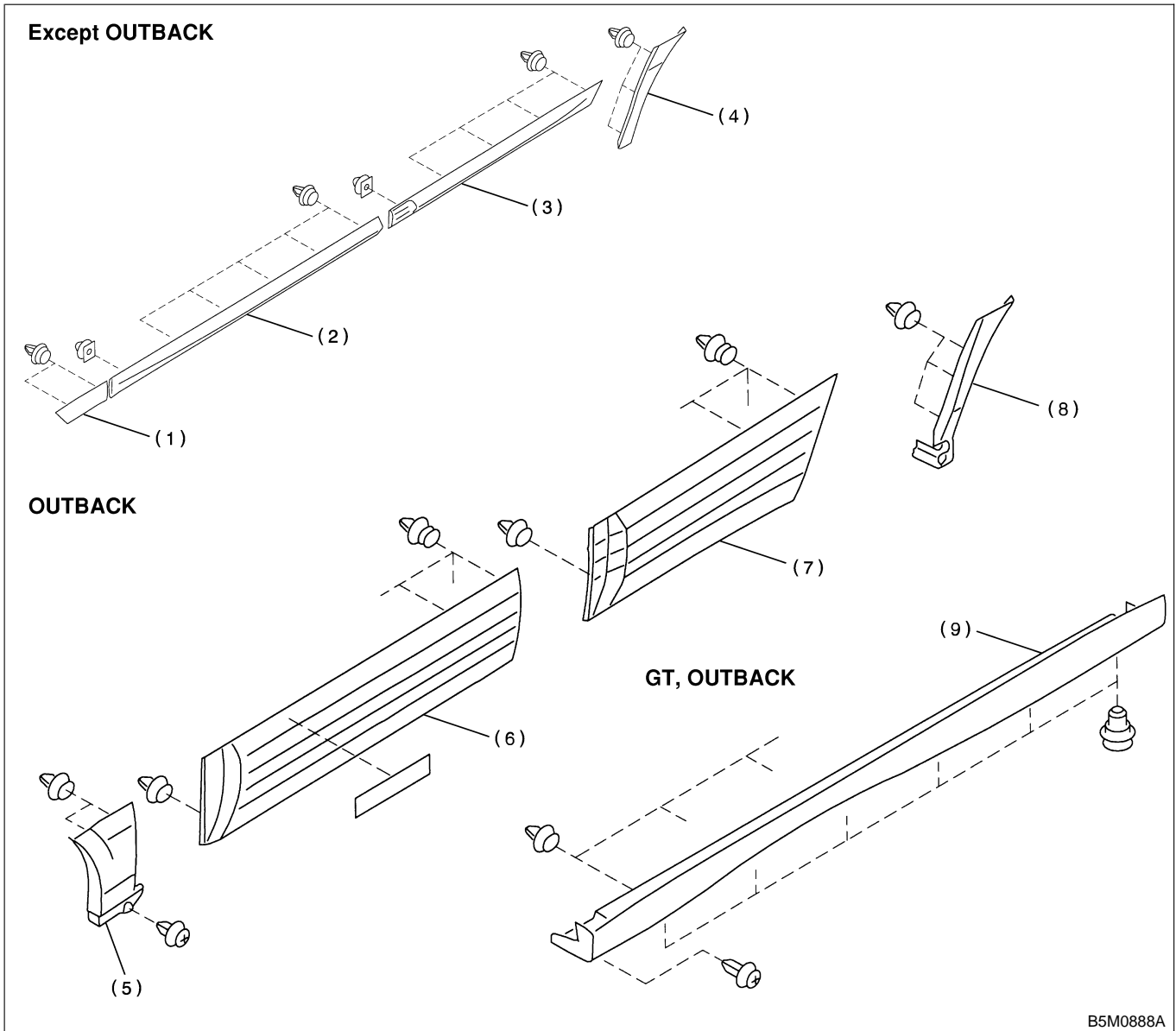


- (1) Bumper beam
- (2) Resin beam
- (3) Side bracket

- (4) Bumper face
- (5) Hook
- (6) Side stay

**Tightening torque: N-m (kgf-m, ft-lb)**  
**T: 95 (9.7, 70)**

4. SIDE PROTECTOR S911001A0504



B5M0888A

- (1) Side protector (Front fender)
- (2) Side protector (Front door)
- (3) Side protector (Rear door)

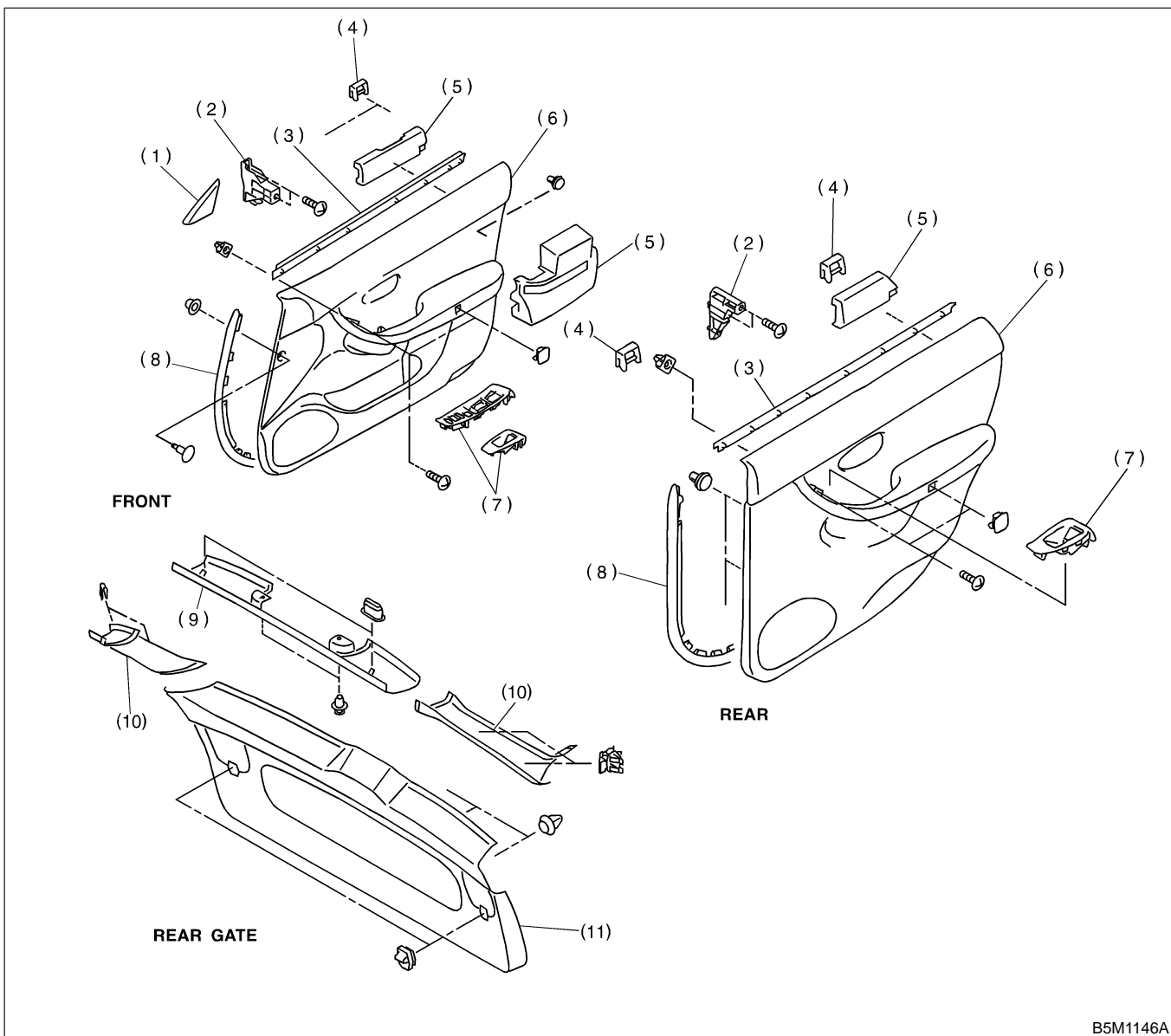
- (4) Side protector (Rear quarter)
- (5) Side garnish (Front fender)
- (6) Side garnish (Front door)

- (7) Side garnish (Rear door)
- (8) Side garnish (Rear quarter)
- (9) Side garnish (Side sill)

# GENERAL DESCRIPTION

Exterior/Interior Trim

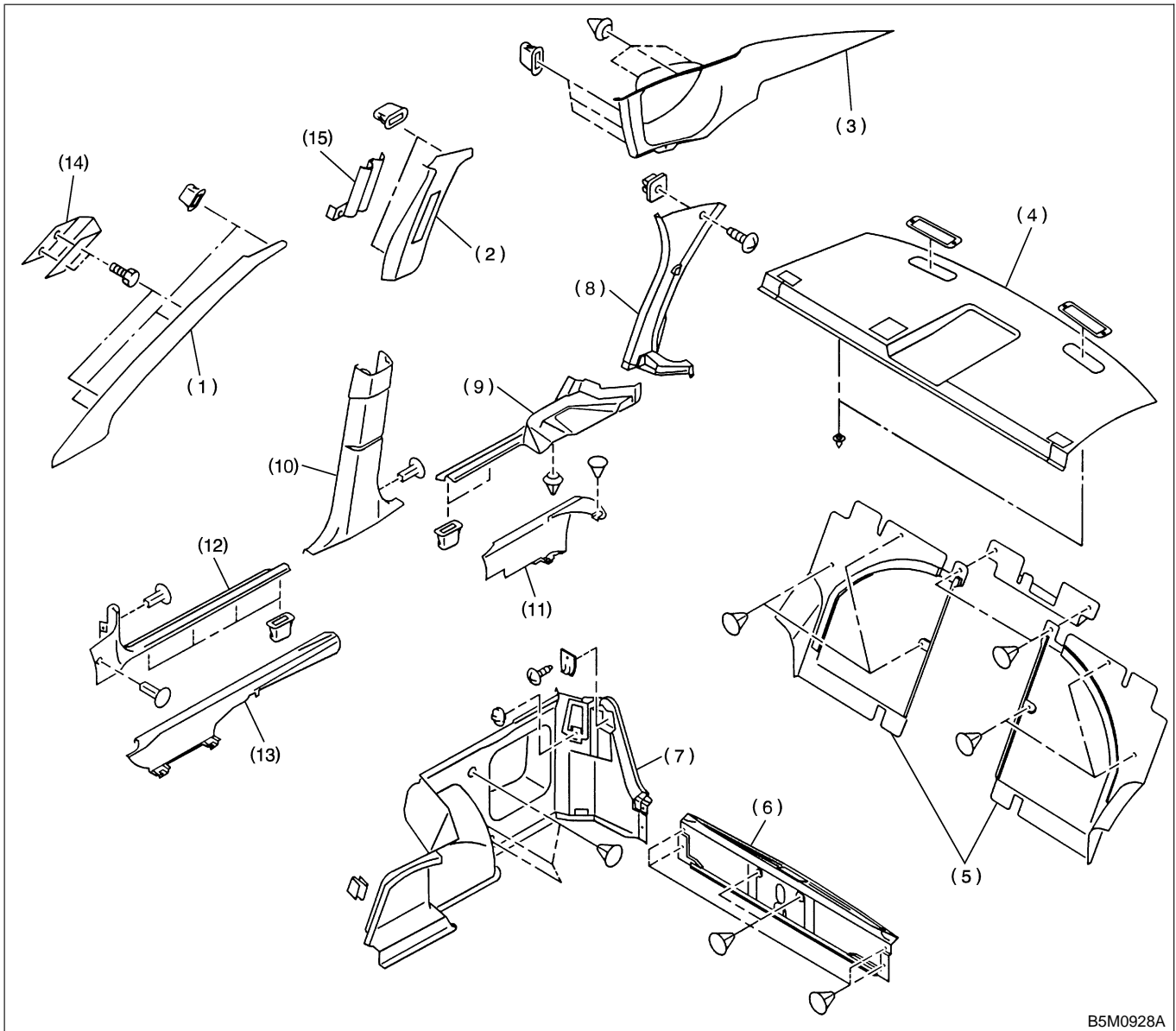
## 5. DOOR TRIM S911001A0505



B5M1146A

- |                        |                               |                 |
|------------------------|-------------------------------|-----------------|
| (1) Gusset cover       | (5) Pad                       | (9) Upper trim  |
| (2) Bracket            | (6) Trim panel                | (10) Side trim  |
| (3) Weatherstrip upper | (7) Power window switch cover | (11) Lower trim |
| (4) Clip               | (8) Weatherstrip lower        |                 |

6. INNER TRIM (SEDAN) S911001A0506



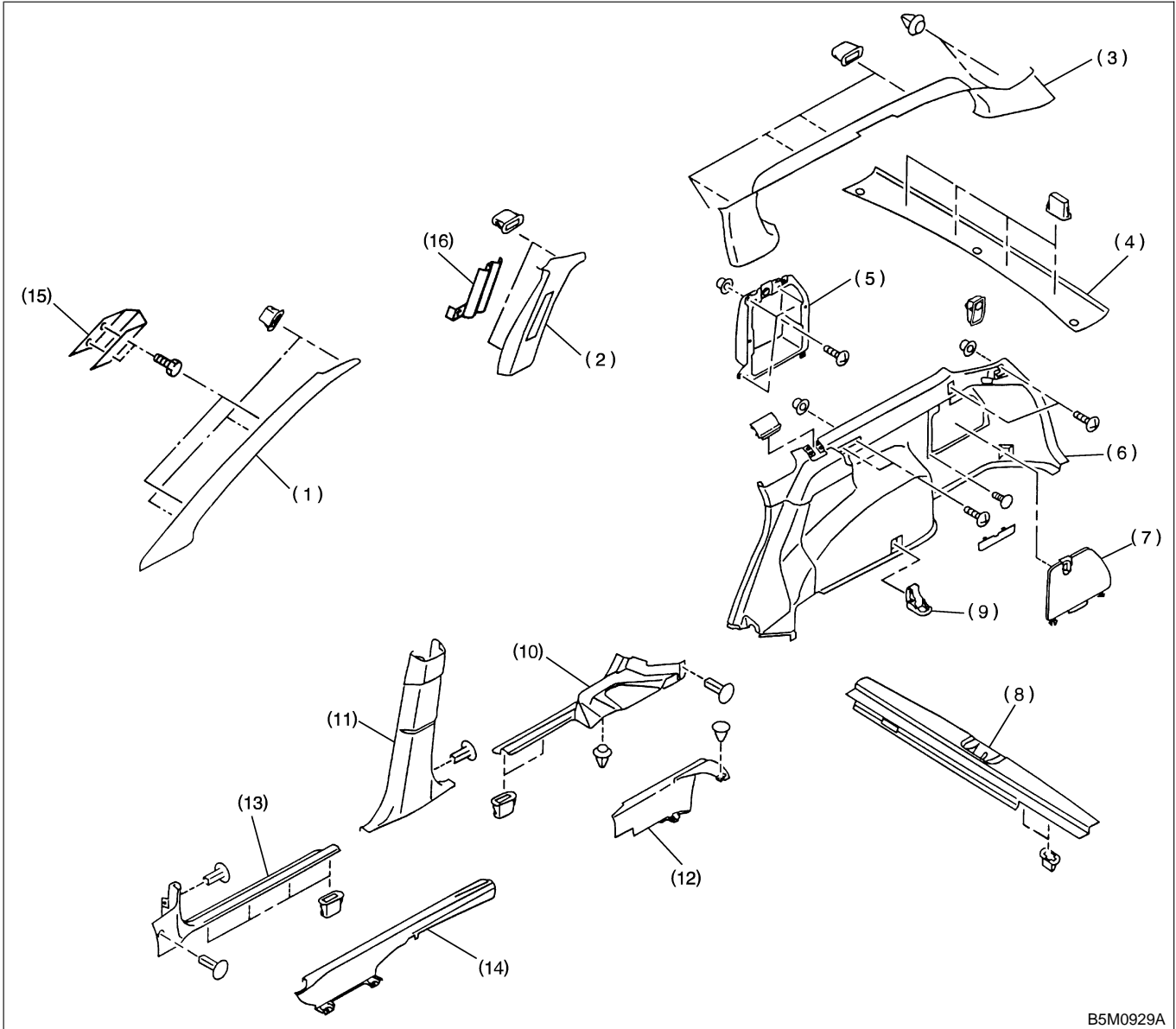
B5M0928A

- |                              |                                |                                  |
|------------------------------|--------------------------------|----------------------------------|
| (1) Front pillar upper trim  | (6) Trunk rear trim            | (11) Side sill rear lower cover  |
| (2) Center pillar upper trim | (7) Trunk side trim            | (12) Front pillar lower trim     |
| (3) Rear pillar upper trim   | (8) Rear pillar lower trim     | (13) Side sill front lower cover |
| (4) Rear shelf trim          | (9) Side sill rear upper cover | (14) Pad stopper A pillar        |
| (5) Rear bulk trim           | (10) Center pillar lower trim  | (15) Pad B pillar upper          |

# GENERAL DESCRIPTION

Exterior/Interior Trim

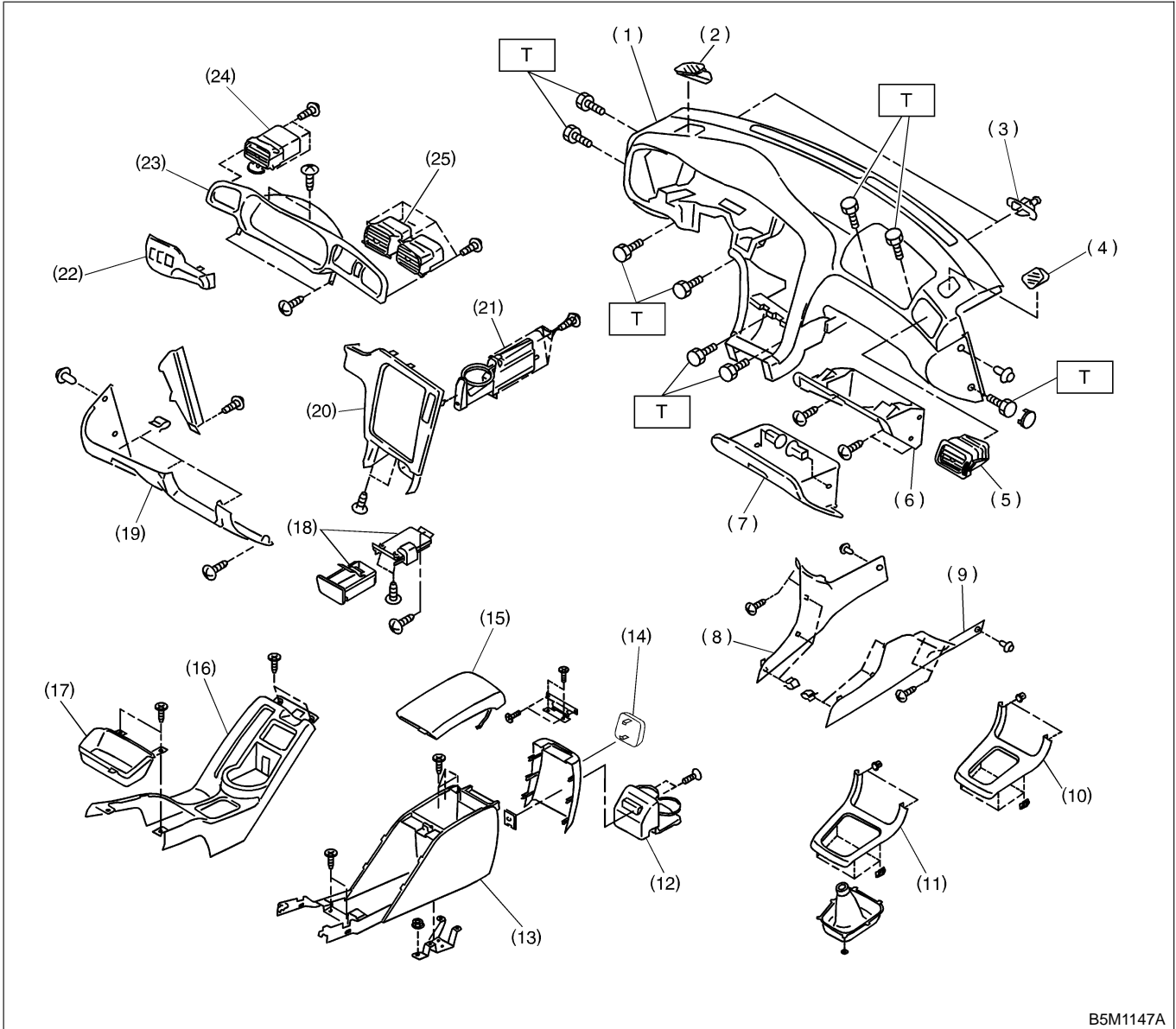
## 7. INNER TRIM (WAGON) S911001A0507



B5M0929A

- |                              |                                 |                                  |
|------------------------------|---------------------------------|----------------------------------|
| (1) Front pillar upper trim  | (7) Lid                         | (13) Front pillar lower trim     |
| (2) Center pillar upper trim | (8) Rear skirt trim             | (14) Side sill front lower cover |
| (3) Rear pillar upper trim   | (9) Hook                        | (15) Pad stopper A pillar        |
| (4) Rear rail trim           | (10) Side sill rear upper cover | (16) Pad B pillar upper          |
| (5) Pocket                   | (11) Center pillar lower trim   |                                  |
| (6) Rear quarter lower trim  | (12) Side sill rear lower cover |                                  |

## 8. INSTRUMENT PANEL S911001A0508



- |                           |                       |                       |
|---------------------------|-----------------------|-----------------------|
| (1) Pad & frame           | (11) Front cover (MT) | (21) Front cup holder |
| (2) Grille side (D)       | (12) Rear cup holder  | (22) Switch panel     |
| (3) Hook                  | (13) Console box      | (23) Meter visor      |
| (4) Grille side (P)       | (14) Cap              | (24) Grille vent (D)  |
| (5) Grille vent (P)       | (15) Console lid      | (25) Grille center    |
| (6) Glove box panel       | (16) Console cover    |                       |
| (7) Glove box lid         | (17) Tray             |                       |
| (8) Center panel side (D) | (18) Ash tray         |                       |
| (9) Center panel side (P) | (19) Lower cover      |                       |
| (10) Front cover (AT)     | (20) Center panel     |                       |

**Tightening torque: N-m (kgf-m, ft-lb)**

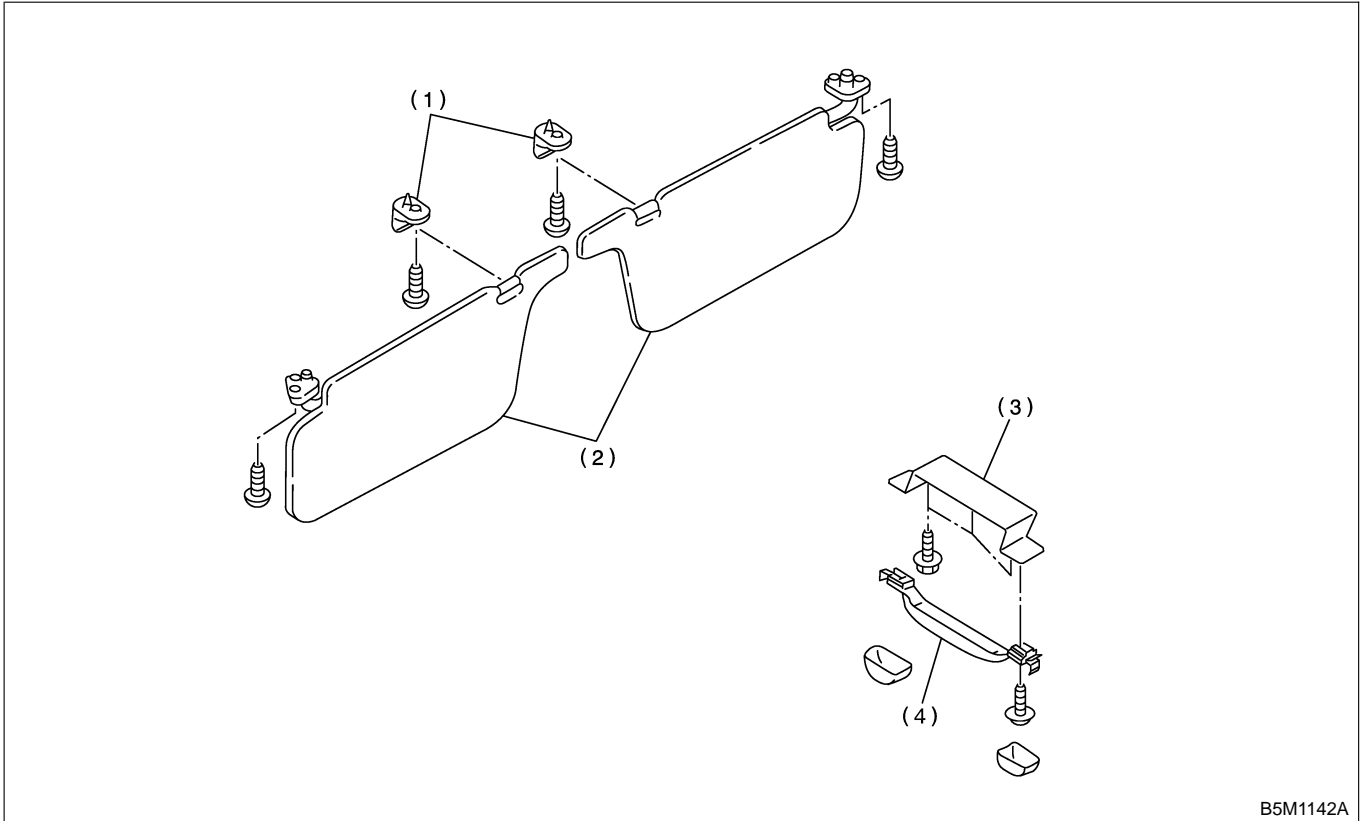
**T: 7 (0.7, 5.1)**



# GENERAL DESCRIPTION

Exterior/Interior Trim

## 9. INNER ACCESSORIES S911001A0510



B5M1142A

- (1) Hook
- (2) Sun visor

- (3) Pad side rail
- (4) Assist grip

# GENERAL DESCRIPTION

Exterior/Interior Trim

## B: PREPARATION TOOL S911001A17

TOOL NAME	REMARKS
Clip remover	Used for trim removal.
Adhesive remover	Used for side protector removal.
Primer	Used for side protector installation.
Infrared lamp	Used for removal/installation of side protector.
Tow-sided tape	Used for side protector installation.
TORX® T30	Used for removal/installation of crossbar.