

REAR BUMPER

Exterior/Interior Trim

5. Rear Bumper S911370

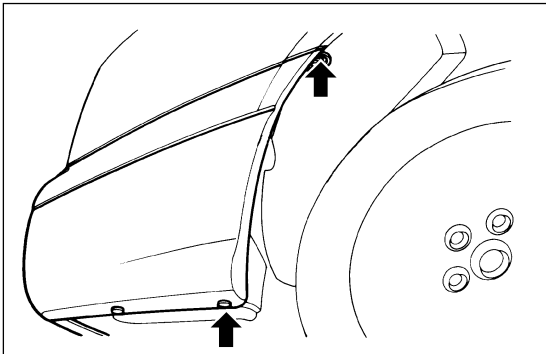
A: REMOVAL S911370A18

1. SEDAN S911370A1801

CAUTION:

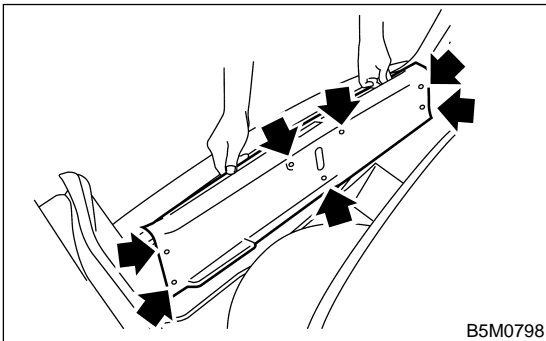
- Handle bumper carefully to avoid damage to bumper face.
- Do not damage body during removal or installation of bumper.
- To avoid damage to bumper, lay removed bumper on sheet spread on the floor. Do not lay it directly on the floor.

- 1) Lift-up the vehicle.
- 2) Remove bolts and clips.



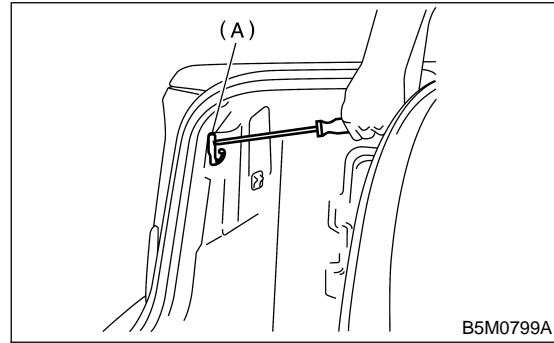
B5M0797

- 3) Loosen clips to remove trunk rear trim.



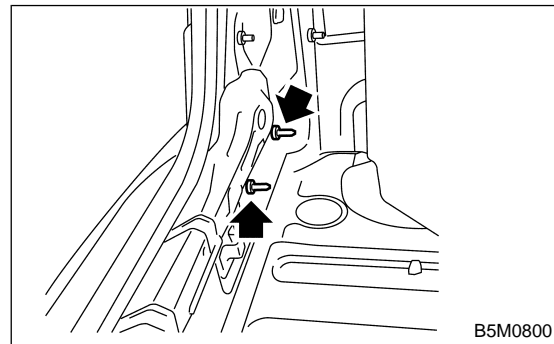
B5M0798

- 4) Remove hook (A) to pull off rear side of trunk side trim.



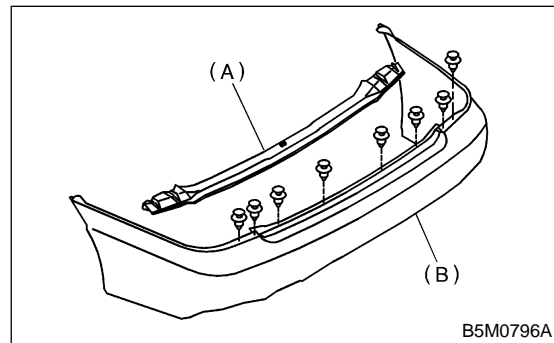
B5M0799A

- 5) Remove two nuts from each side to remove rear bumper.



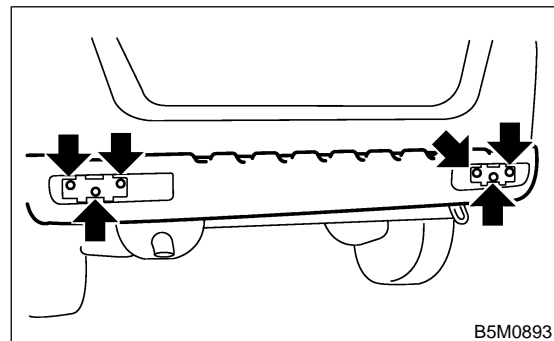
B5M0800

- 6) Loosen clips to remove upper beam (A) from bumper face.



B5M0796A

- 7) Remove resin beam.



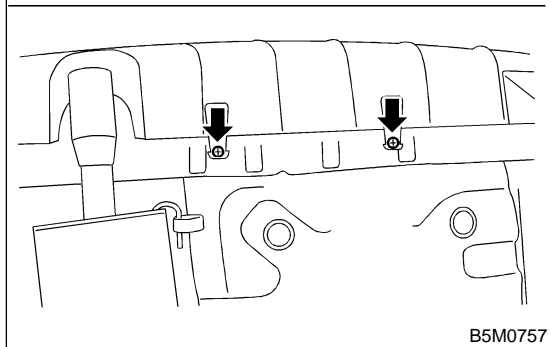
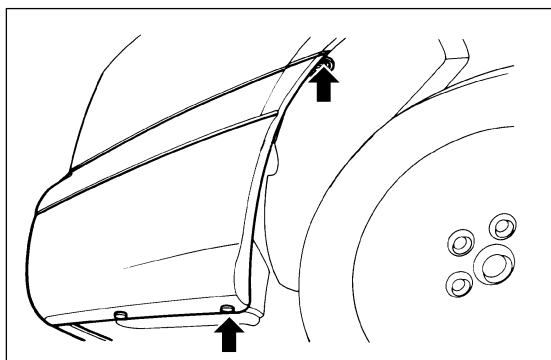
B5M0893

2. WAGON S911370A1802

CAUTION:

- Handle bumper carefully to avoid damage to bumper face.
- Do not damage body during removal or installation of bumper.
- To avoid damage to bumper, lay removed bumper on sheet spread on the floor. Do not lay it directly on the floor.

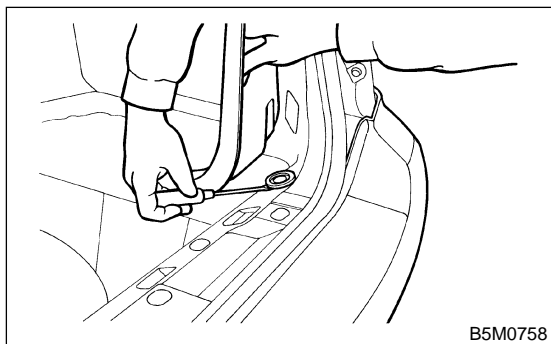
- 1) Lift-up the vehicle.
- 2) Remove trailer hitch. <Ref. to EI-31 REMOVAL, Trailer Hitch.>
- 3) Remove bolts and clips.



B5M0757

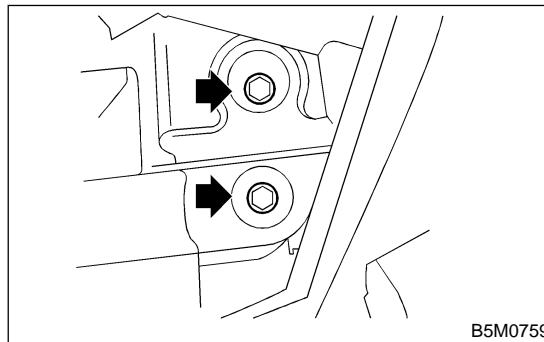
- 4) Remove rear floor box. <Ref. to EI-44 REMOVAL, Rear Quarter Trim.>

- 5) Pull off rear end of rear quarter lower trim to remove cap.



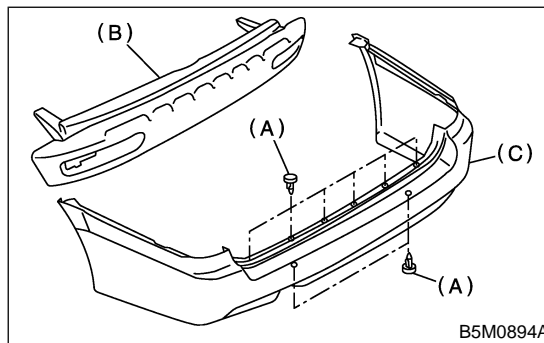
B5M0758

- 6) Loosen bolts to remove rear bumper.



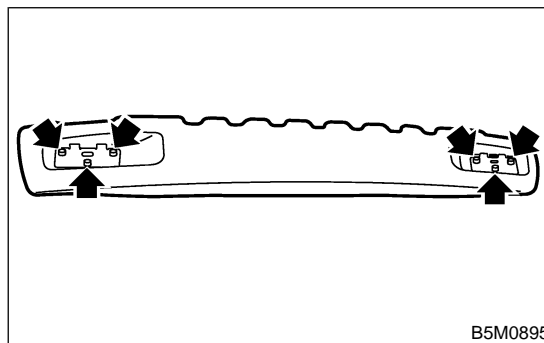
B5M0759

- 7) Loosen clip (A) to remove bumper beam (B) from rear bumper face (C).



B5M0894A

- 8) Remove resin beam from bumper beam.



B5M0895

REAR BUMPER

Exterior/Interior Trim

B: INSTALLATION

S911370A11

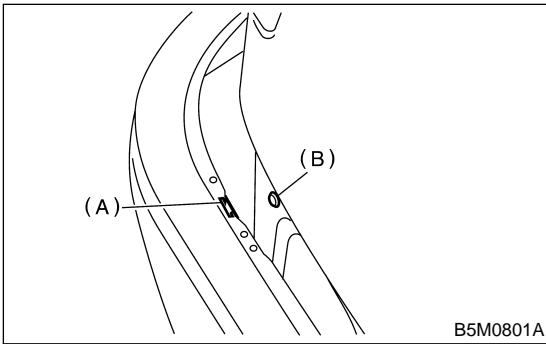
1. SEDAN

S911370A1101

CAUTION:

- Handle bumper carefully to avoid damage to bumper face.
- Do not damage body during removal or installation of bumper.

- 1) Install in the reverse order of removal.
- 2) Fit slider (A) to guide pin (B) securely.



C: REPAIR

S911370A19

Refer to front bumper repair. <Ref. to EI-15 REPAIR, Front Bumper.>

2. WAGON

S911370A1102

CAUTION:

- Handle bumper carefully to avoid damage to bumper face.
- Do not damage body during removal or installation of bumper.

- 1) Install in the reverse order of removal.
- 2) Fit slider (A) to guide pin (B) securely.

