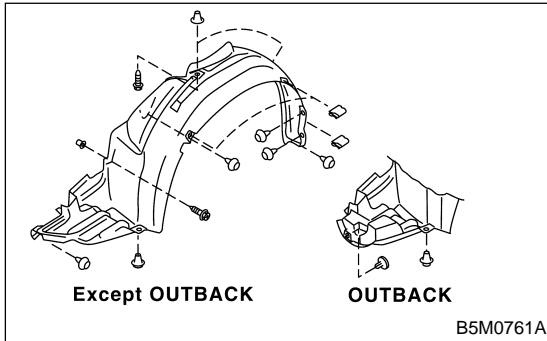


6. Mud Guard S911374

A: REMOVAL S911374A18

- 1) Jack-up the vehicle.
- 2) Loosen screws and clips to remove mud guard.



B: INSTALLATION S911374A11

Insert hook into body, and tighten it with screw and clip.