

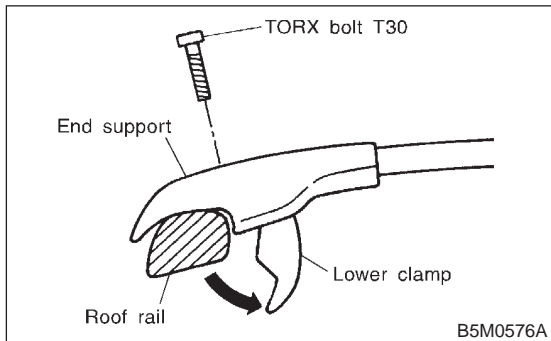
CROSSBAR

Exterior/Interior Trim

11. Crossbar S911388

A: REMOVAL S911388A18

- 1) Remove TORX® bolt T30 from each cross end support.
- 2) Rotate lower clamp of each end support about 90 degrees downward to remove crossbar.

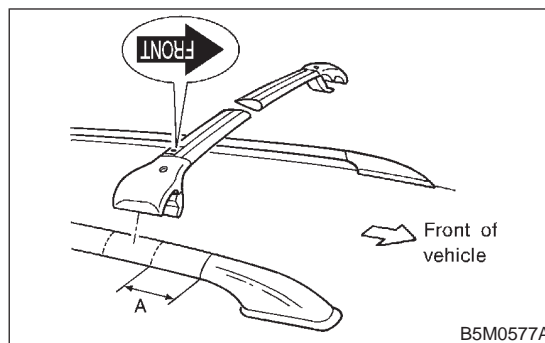


CAUTION:
Do not damage roof panel during removal or installation.

B: INSTALLATION S911388A11

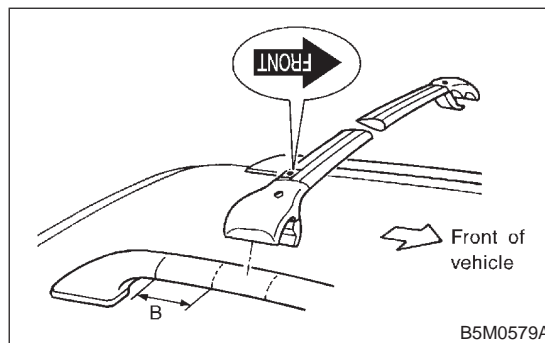
- 1) Rotate lower clamp of each end support about 90 degrees downward.
- 2) Set crossbar so that front direction arrow on the right top face of crossbar points in the direction of vehicle front, and place crossbar end support at position 152.4 mm (6.00 in) back from joint of front roof rail support and roof rail.

Length A:
152.4 mm (6.00 in)



- 3) Set crossbar so that front direction arrow on the right top face of crossbar points in the direction of vehicle front, and place crossbar end support at position 152.4 mm (6.00 in) back from joint of rear roof rail support and roof rail.

Length B:
152.4 mm (6.00 in)



- 4) Tighten end support and lower clamp using TORX® bolt T30.