

## 12. Trailer Hitch S911389

### A: REMOVAL S911389A18

**CAUTION:**

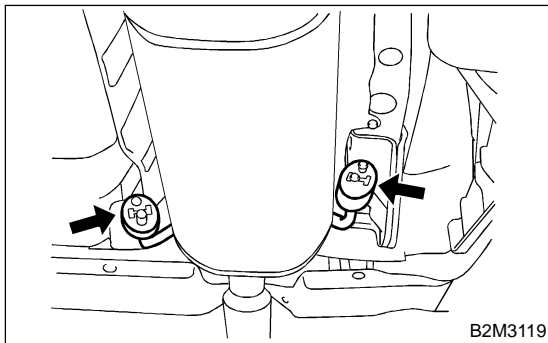
Because trailer hitch is heavy, two people are required to remove it.

- 1) Lift-up the vehicle.
- 2) Remove rubber cushion from body.

**NOTE:**

If rubber cushion is hard to remove, apply SUBARU CRC.

**SUBARU CRC (Part No. 004301003 )**



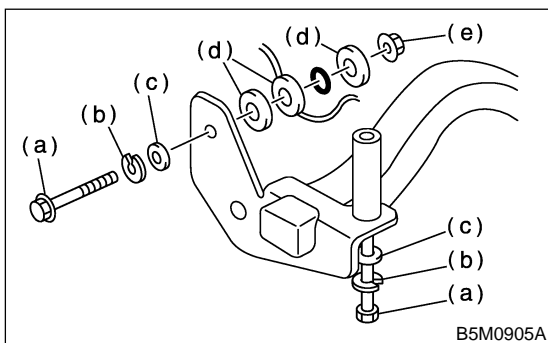
- 3) Remove strap (a).
- 4) Remove bolts. Remove trailer hitch while lowering muffler.

### B: INSTALLATION S911389A11

**CAUTION:**

Because trailer hitch is heavy, two people are required to remove it.

- 1) Install in the reverse order of removal.
- 2) For installation method of bolt, see the figure.



- (a) Bolt
- (b) Spring washer
- (c) Flat washer
- (d) Plate
- (e) Nut