

FRONT DOOR TRIM

Exterior/Interior Trim

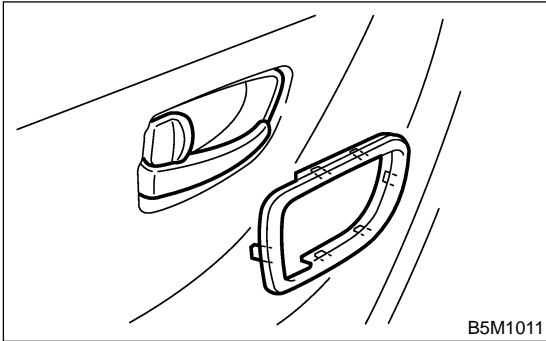
13. Front Door Trim S911356

A: REMOVAL S911356A18

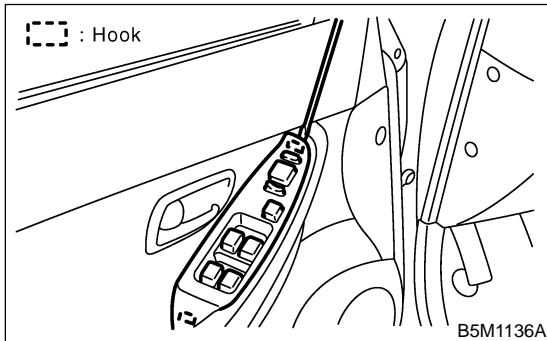
CAUTION:

Do not apply excessive force to clip. Otherwise the clip may be broken.

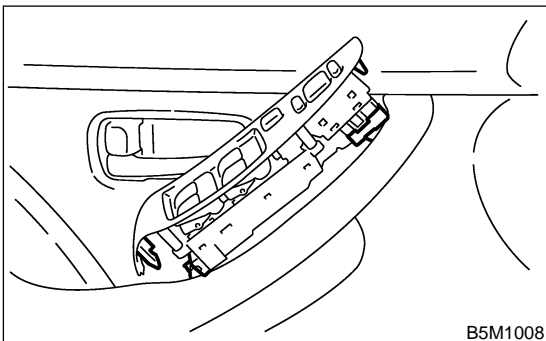
1) Pull up inner remote cover toward you to remove upper hook. Pull down it to remove lower claw. Remove inner remote cover.



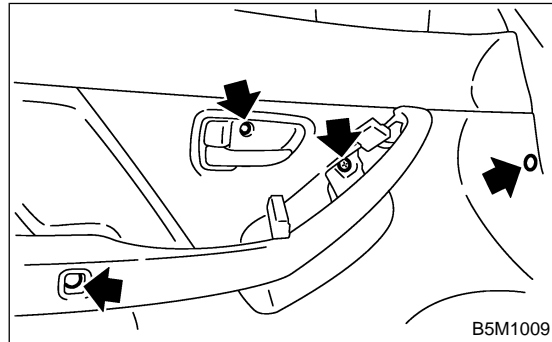
2) Remove two hooks of switch panel to remove power window main switch.



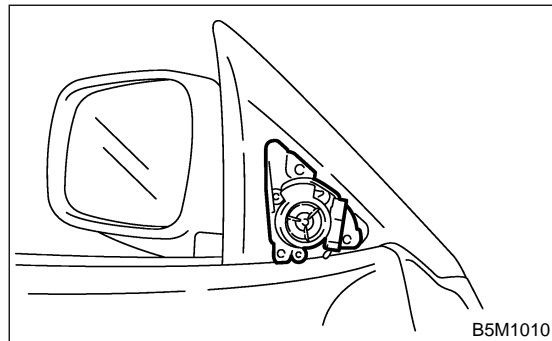
3) Disconnect electrical connectors from power window main switch and mirror switch.



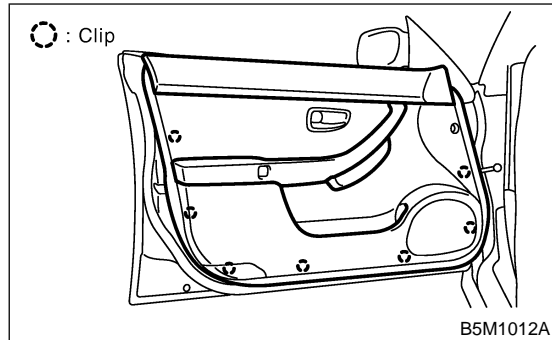
4) Remove three screws and clips.



5) Remove gusset cover. Disconnect electrical connectors to remove speaker.



6) Remove seven clips of trim panel using clip remover to remove trim panel.



B: INSTALLATION S911356A11

Install in the reverse order of removal.