

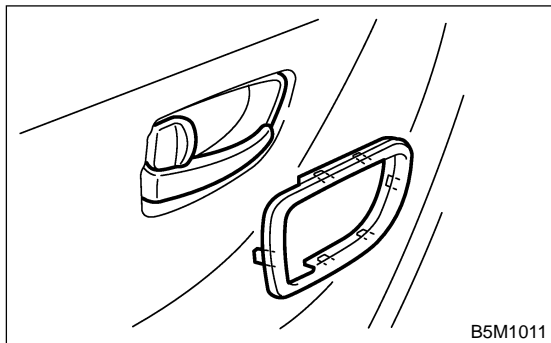
## 14. Rear Door Trim S911354

### A: REMOVAL S911354A18

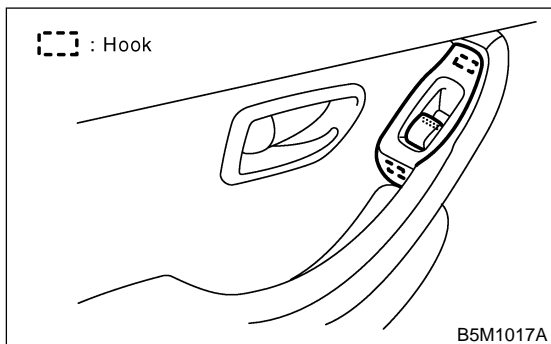
**CAUTION:**

Do not apply excessive force to clip. Otherwise the clip may be broken.

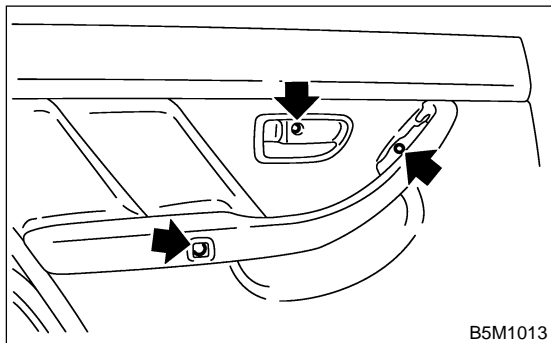
1) Pull up inner remote cover toward you to remove upper hook. Pull down it to remove lower claw. Remove inner remote cover.



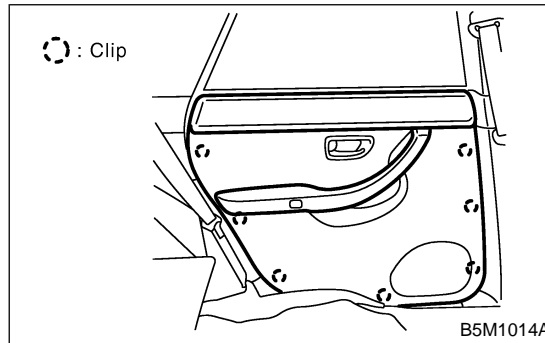
2) Remove two hooks of switch panel to remove power window sub switch and disconnect electrical connector.



3) Remove three screws and clips.



4) Remove seven clips of trim panel using clip remover to remove trim panel.



### B: INSTALLATION S911354A11

Install in the reverse order of removal.