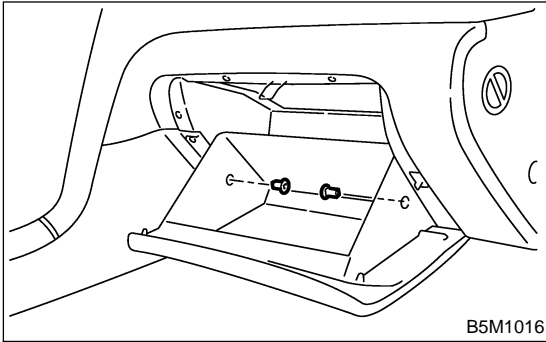


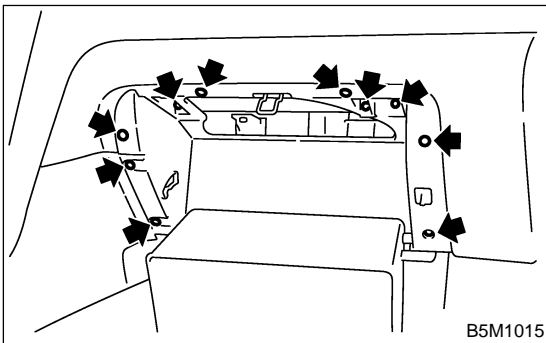
15. Glove Box S911558

A: REMOVAL S911558A18

- 1) Remove stoppers.



- 2) Loosen screws to remove glove box.



B: INSTALLATION S911558A11

Install in the reverse order of removal.