

18. Instrument Panel Assembly

S911381

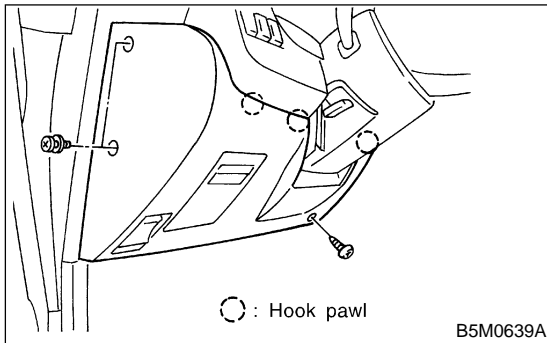
A: REMOVAL S911381A18

Airbag system wiring harness is routed near the combination meter.

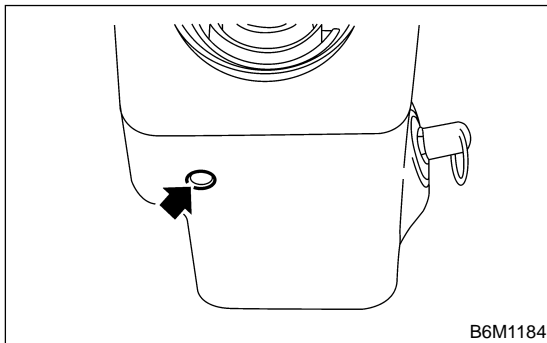
WARNING:

- All airbag system wiring harness and connectors are colored yellow. Do not use electrical test equipment on these circuits.
- Be careful not to damage airbag system harness when servicing the instrument panel.

- 1) Disconnect GND cable from battery.
- 2) Remove lower cover.

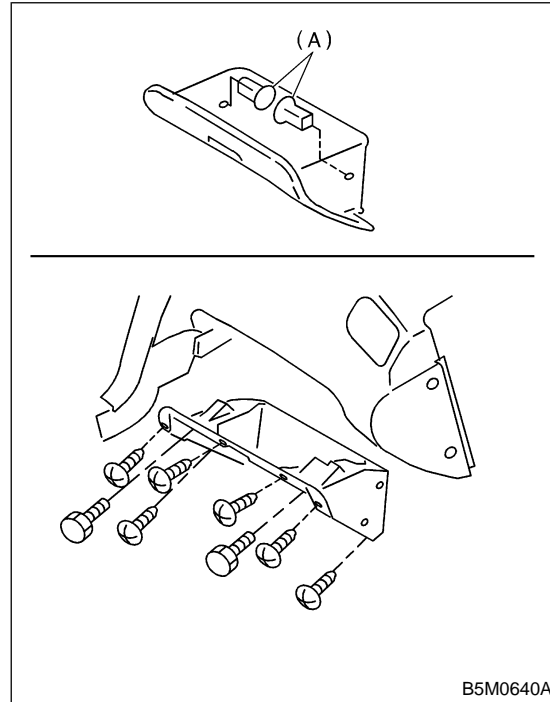


- 3) Remove lower column cover and disconnect harness connectors to steering column.

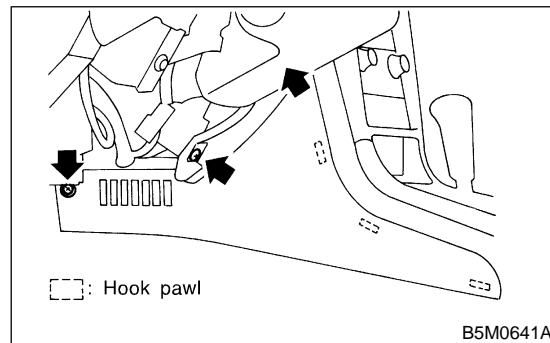


- 4) Remove steering column assembly (with steering wheel). <Ref. to PS-20 REMOVAL, Tilt Steering Column.>

- 5) Remove stopper (A) then remove glove box.



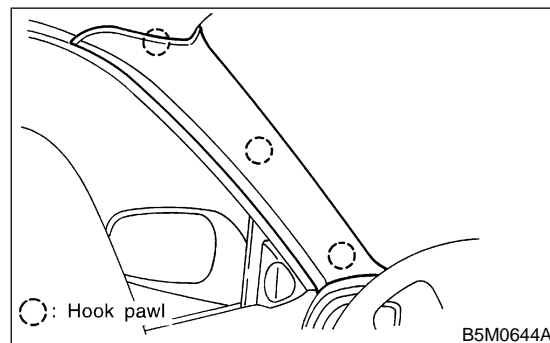
- 6) Remove side panel of both sides.



- 7) Remove passenger's airbag module. <Ref. to AB-14 Passenger's Airbag Module.>

- 8) Remove console box. <Ref. to EI-36 REMOVAL, Console Box.>

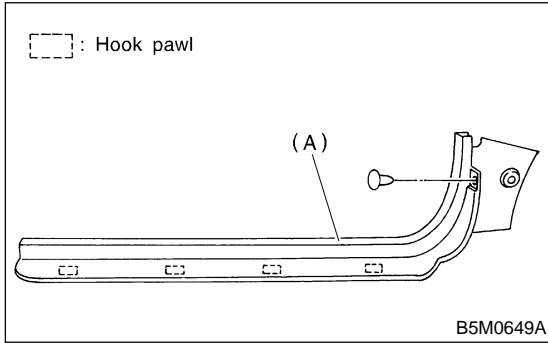
- 9) Remove front pillar upper trim of both sides.



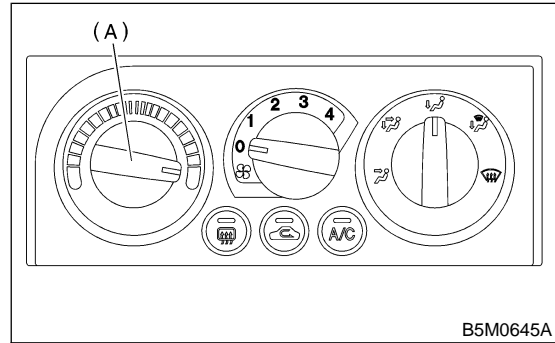
INSTRUMENT PANEL ASSEMBLY

Exterior/Interior Trim

10) Remove front pillar lower trim of passenger side.

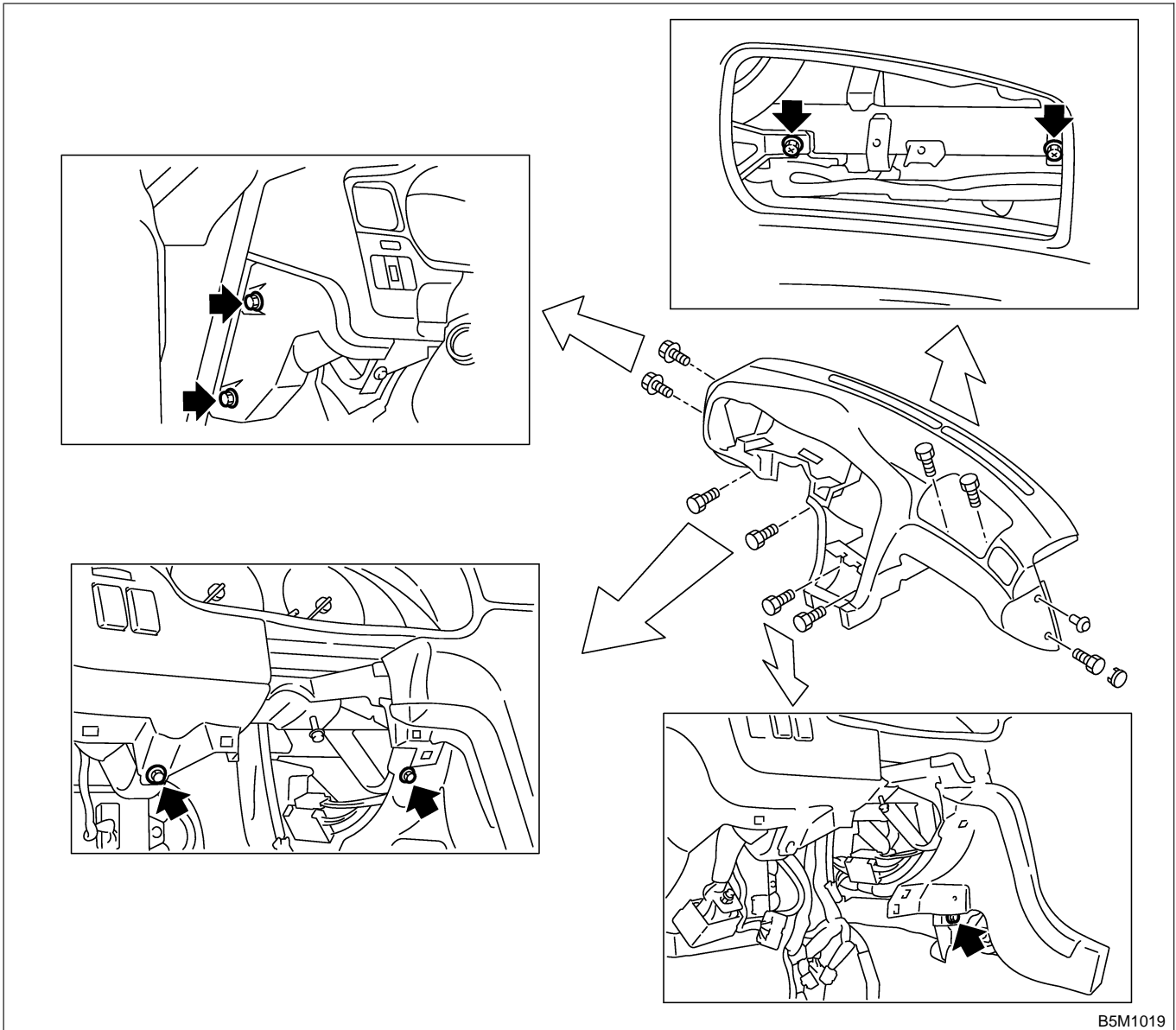


NOTE:
Do not move the switch and link when installing.



11) Set temperature control switch (A) to "FULL HOT" and then disconnect temperature control cable from bottom of heater unit. (Manual A/C equipped model)

12) Remove instrument panel mounting bolts.



B5M1019

INSTRUMENT PANEL ASSEMBLY

Exterior/Interior Trim

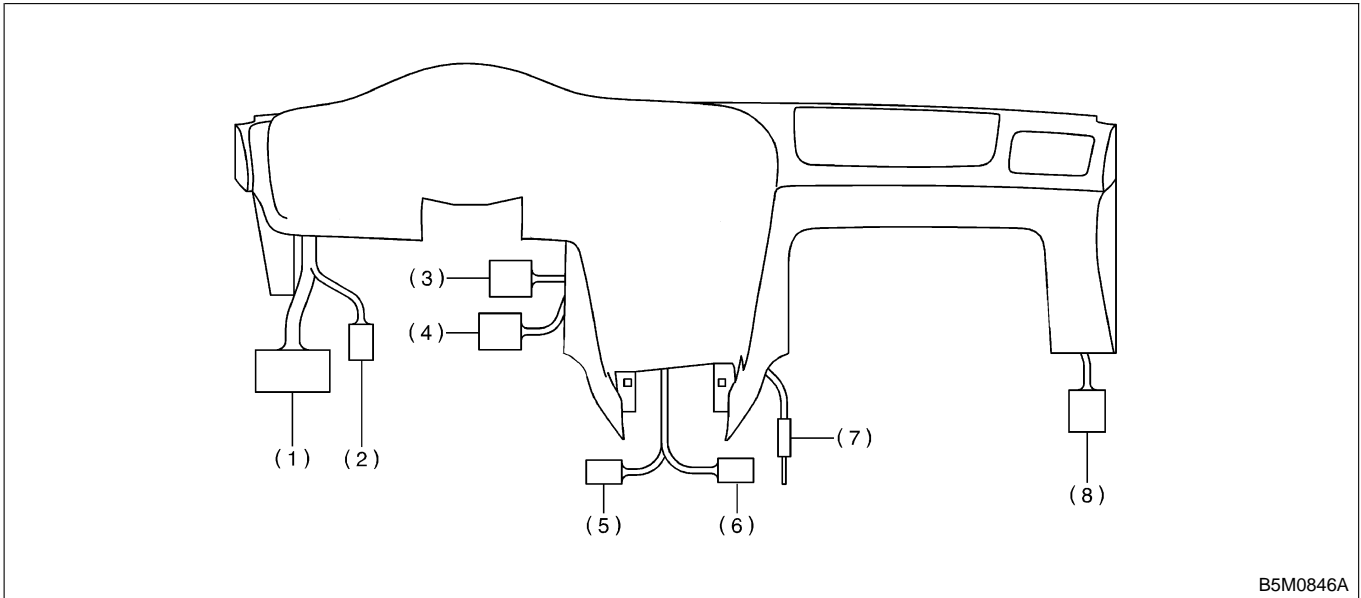
13) Disconnect harness connectors and remove instrument panel carefully.

CAUTION:

Do not pull the harness when disconnecting the connector.

NOTE:

If necessary, make matching marks for easy reassembly.



B5M0846A

(1) SMJ/White

(2) 2P/Blue

(3) 10P/White

(4) 8P/White

(5) 1P/Black

(6) 1P/Black

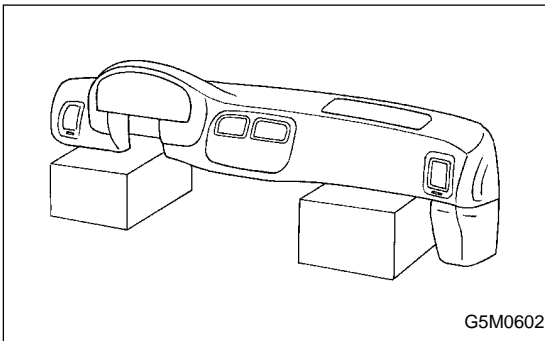
(7) Antenna feeder

(8) 16P/Blue

CAUTION:

● Take care not to scratch the instrument panel and related parts.

● When storing the removed instrument panel, place it standing up on the floor.



G5M0602

B: INSTALLATION S911381A11

Install in the reverse order of removal.

CAUTION:

- Be careful not to snag the harness.
- Make sure to connect harness connector.
- Take care not to scratch the instrument panel and related parts.

NOTE:

When setting the instrument panel into position, push the three hooks into grommet (A) on the body panel.

