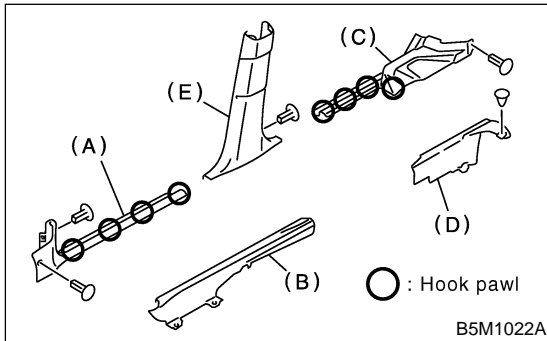


20. Lower Inner Trim S911369

A: REMOVAL S911369A18

- 1) Remove front pillar lower trim (A).
- 2) Remove side sill front lower cover (B).
- 3) For sedan: Remove rear seat cushion <Ref. to SE-16 REMOVAL, Rear Seat.>, then remove side sill rear upper cover (C).
For wagon: Rise rear seat cushion, then remove side sill rear upper cover (C).
- 4) Remove side sill rear lower cover (D).
- 5) Remove center pillar lower trim (E).



B: INSTALLATION S911369A11

Install in the reverse order of removal.

CAUTION:

Be sure to securely hook pawls of inner trim panel to body flange.