

# REAR QUARTER TRIM

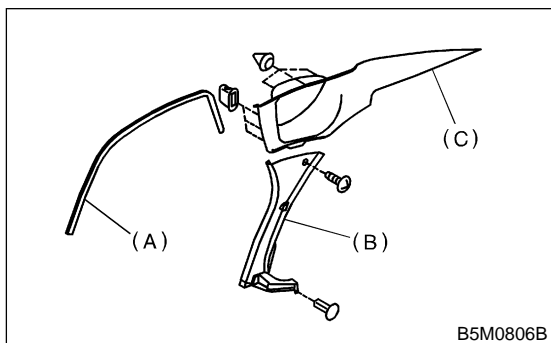
Exterior/Interior Trim

## 21. Rear Quarter Trim S911358

### A: REMOVAL S911358A18

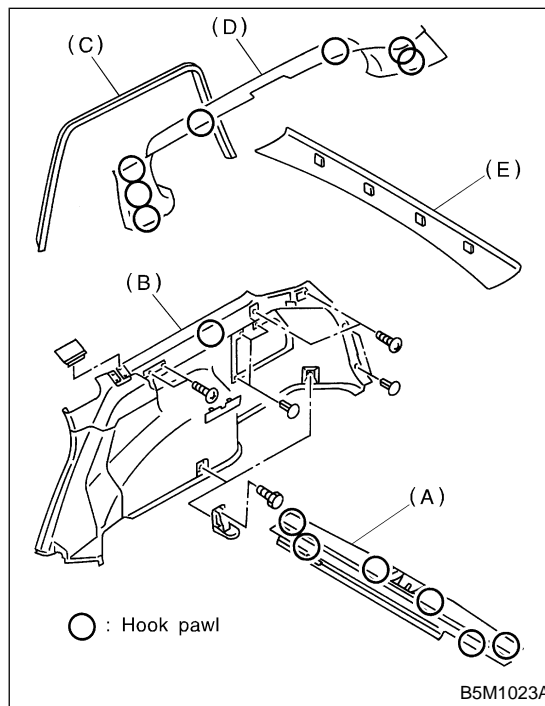
#### 1. SEDAN S911358A1801

- 1) Remove rear mole (A).
- 2) Remove rear shelf trim. <Ref. to EI-50 REMOVAL, Rear Shelf Trim.>
- 3) Remove side sill rear upper cover. <Ref. to EI-43 REMOVAL, Lower Inner Trim.>
- 4) Remove rear pillar lower trim (B).
- 5) Remove rear pillar upper trim (C).



#### 2. WAGON S911358A1802

- 1) Remove side sill rear upper cover. <Ref. to EI-43 REMOVAL, Lower Inner Trim.>
- 2) Remove luggage floor mat. <Ref. to EI-54 REMOVAL, Luggage Floor Mat.>
- 3) Remove rear skirt trim (A).
- 4) Remove rear quarter lower trim mounting volts, screws and clips, then remove the trim (B).
- 5) Remove rear mole (C).
- 6) Remove rear quarter upper trim mounting screw, then remove the trim (D).
- 7) Remove rear rail trim (E).



## B: INSTALLATION S911358A11

Install in the reverse order of removal.

### CAUTION:

**Be sure to securely hook pawls of inner trim panel to body flange.**

### NOTE:

When installing rear quarter upper trim, be sure to set rear mole as shown in the figure.

