

23. Roof Trim S911360

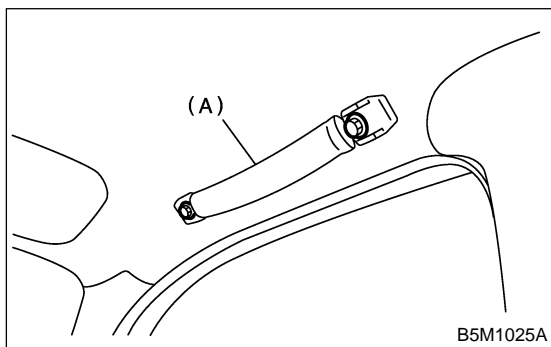
A: REMOVAL S911360A18

CAUTION:

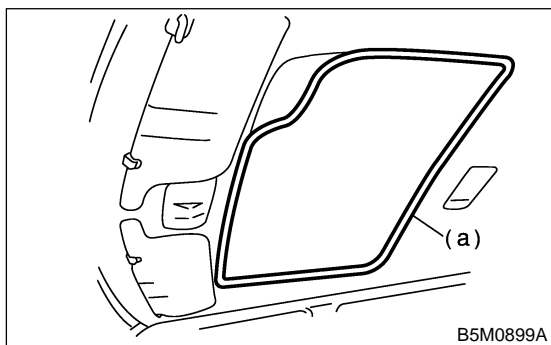
When removing clip, use great care not to damage the roof trim.

1. SEDAN S911360A1801

- 1) Disconnect GND cable from battery.
- 2) Remove sunroof switch. (Sunroof equipped model) <Ref. to SR-15 REMOVAL, Sunroof Switch.>
- 3) Remove room light. <Ref. to LI-41 REMOVAL, Room Light.>
- 4) Remove sun visor and hook of both sides. <Ref. to EI-46 REMOVAL, Sun Visor.>
- 5) Remove assist grips (A).

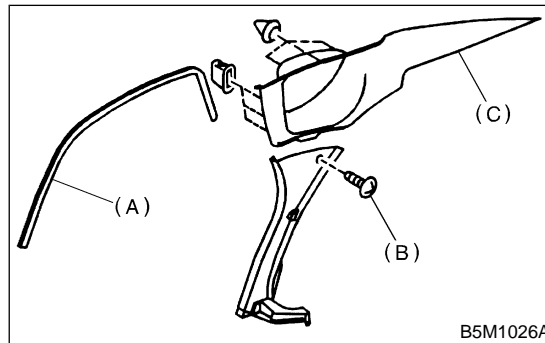


- 6) Remove sunroof garnish (A).

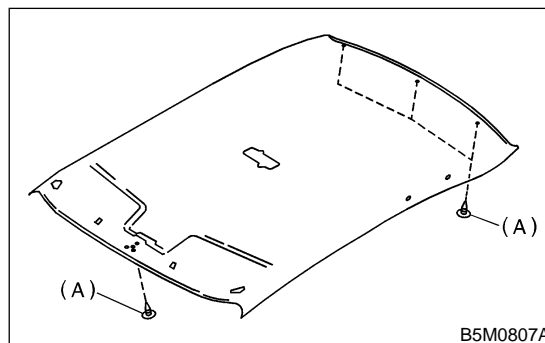


- 7) Remove upper inner trim. <Ref. to EI-42 REMOVAL, Upper Inner Trim.>
- 8) Remove rear window mole (A) of both sides.
- 9) Remove screw (B) of rear quarter lower trim shown in the figure.

- 10) Remove rear quarter upper trim (C) of both sides.

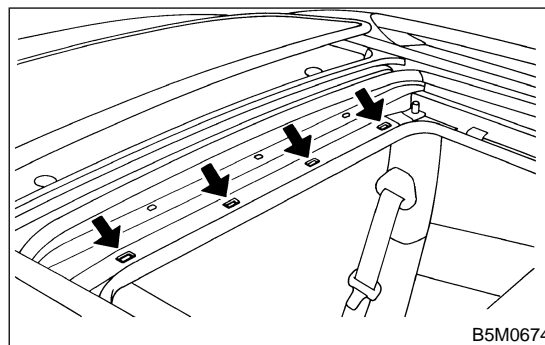


- 11) Remove clips, and then remove roof trim.



2. WAGON S911360A1802

- 1) Open the rear sunroof, and then remove four clips. (Sunroof equipped model)

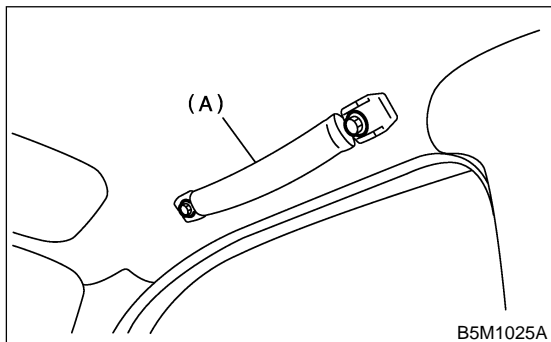


- 2) Disconnect GND cable from battery.
- 3) Remove sunroof switch. (Sunroof equipped model) <Ref. to SR-15 REMOVAL, Sunroof Switch.>
- 4) Remove room light and luggage room light. <Ref. to LI-41 REMOVAL, Room Light.> and <Ref. to LI-42 REMOVAL, Luggage Room Light.>
- 5) Remove sun visor and hook of both sides. <Ref. to EI-46 REMOVAL, Sun Visor.>

ROOF TRIM

Exterior/Interior Trim

6) Remove assist grips (A).



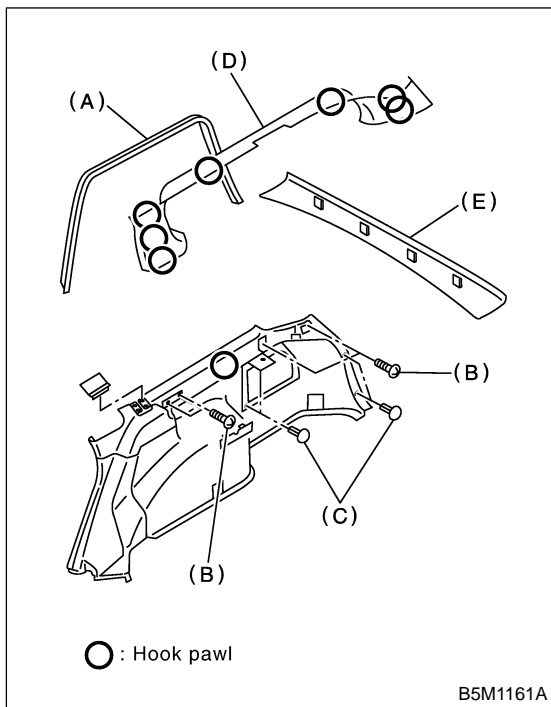
7) Remove upper inner trim. <Ref. to EI-42 REMOVAL, Upper Inner Trim.>

8) Remove rear window mole of both sides (A).

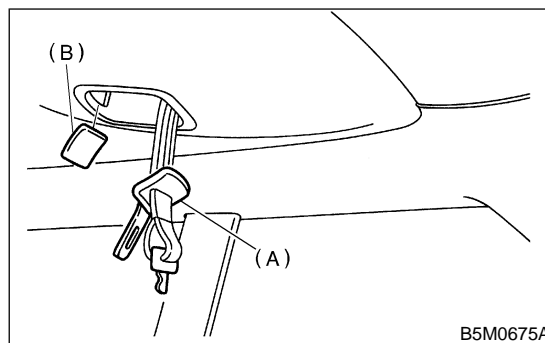
9) Remove screws (B) and clips (C) of rear quarter lower trim shown in the figure.

10) Remove rear quarter upper trim (D) of both sides.

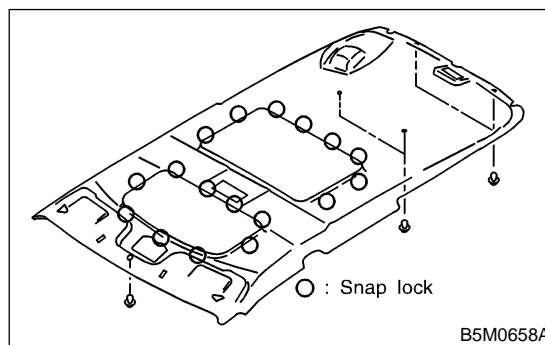
11) Remove rear rail trim (E).



12) Remove cover (B) while detaching snap lock carefully. Put the rear center seat belt tongue (A) out to the other side of the trim through the hole.



13) Remove clips and then remove roof trim.



B: INSTALLATION S911360A11

Install in the reverse order of removal.